



T&S BRASS AND BRONZE WORKS, INC.

2 SADDLEBACK COVE / P.O. BOX 1088 / TRAVELERS REST, SC 29690
PHONE 800-476-4103 FAX 864-834-3518



Model No.

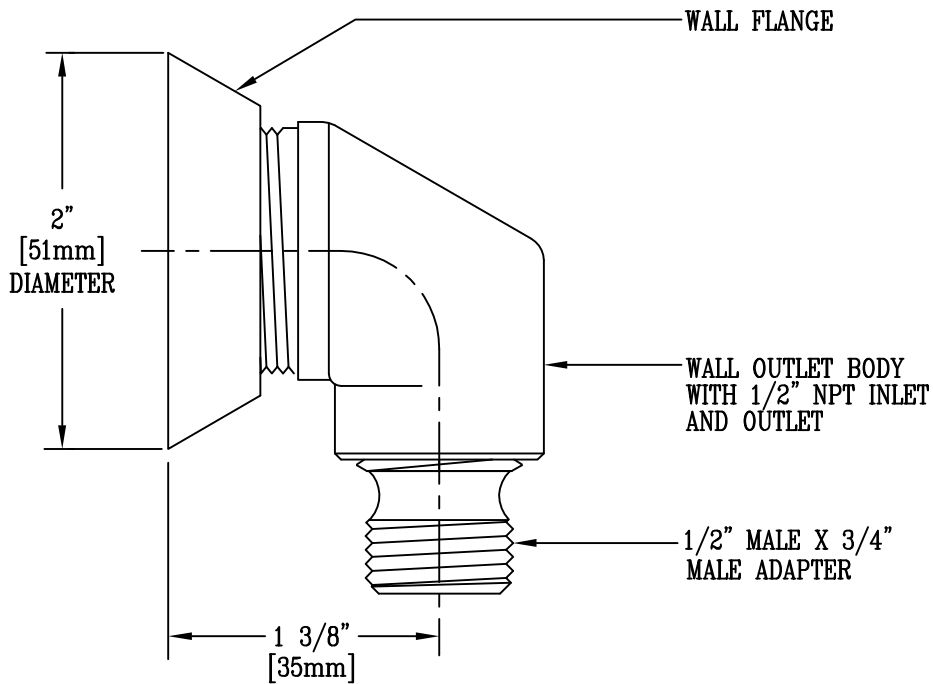
SQ-0094

Item No.:

Job Name:

Architect/Engineer Approval:

Notes:



Product Description:

1/2" WALL OUTLET ASSEMBLY WITH
1/2" X 3/4" MALE ADAPTER

Drawn:

WJS

Approved

CA

Checked

JKD

Scale:

1' = 1'

Date:

11/09/95