



T&S BRASS AND BRONZE WORKS, INC.  
 2 SADDLEBACK COVE / P.O. BOX 1088 / TRAVELERS REST, SC 29690  
 PHONE 800-476-4103 FAX 864- 834-3518



Model No.

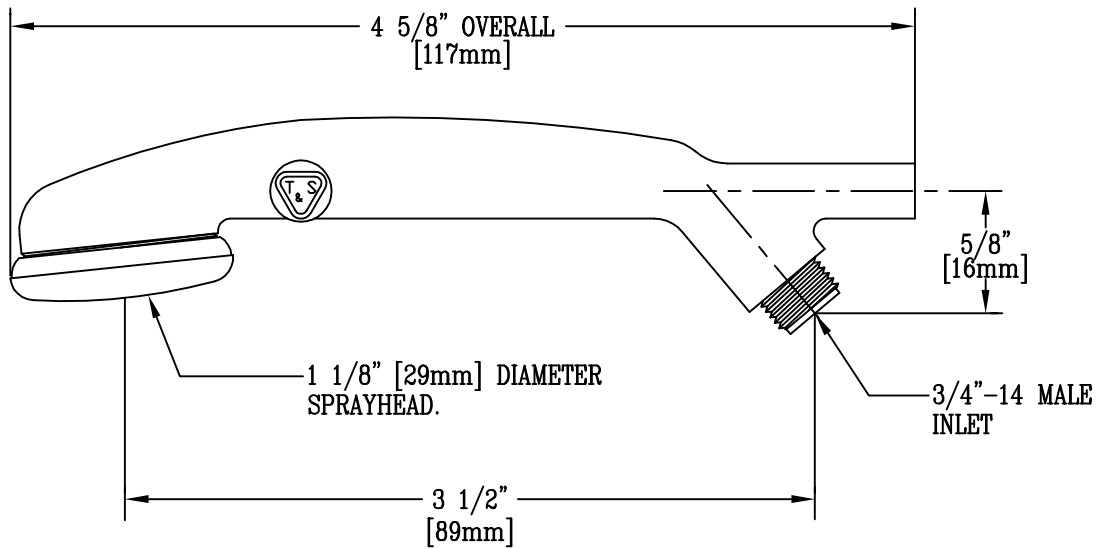
SQ-0095

Item No.:

Job Name:

Architect/Engineer Approval:

Notes:



Product Description:

SHOWER QUEEN HAND SPRAY

Drawn:

WJS

Approved

CA

Checked

JKD

Scale:

$6'' = 1'$

Date:

11/09/95