



T&S BRASS AND BRONZE WORKS, INC.

2 Saddleback Cove / P.O. Box 1088
Travelers Rest, SC 29690



REG. #A2601
ISO #9001

Model No.

EC-3100-LF22

Item No.

Travelers Rest, SC: 800-476-4103 Simi Valley, CA: 800-423-0150 Fax: 864-834-3518 www.tsbrass.com

This Space for Architect/Engineer Approval

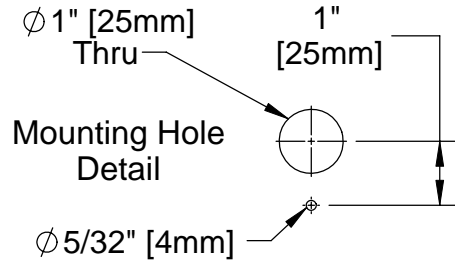
Job Name _____ Date _____

Model Specified _____ Quantity _____

Customer/Wholesaler _____

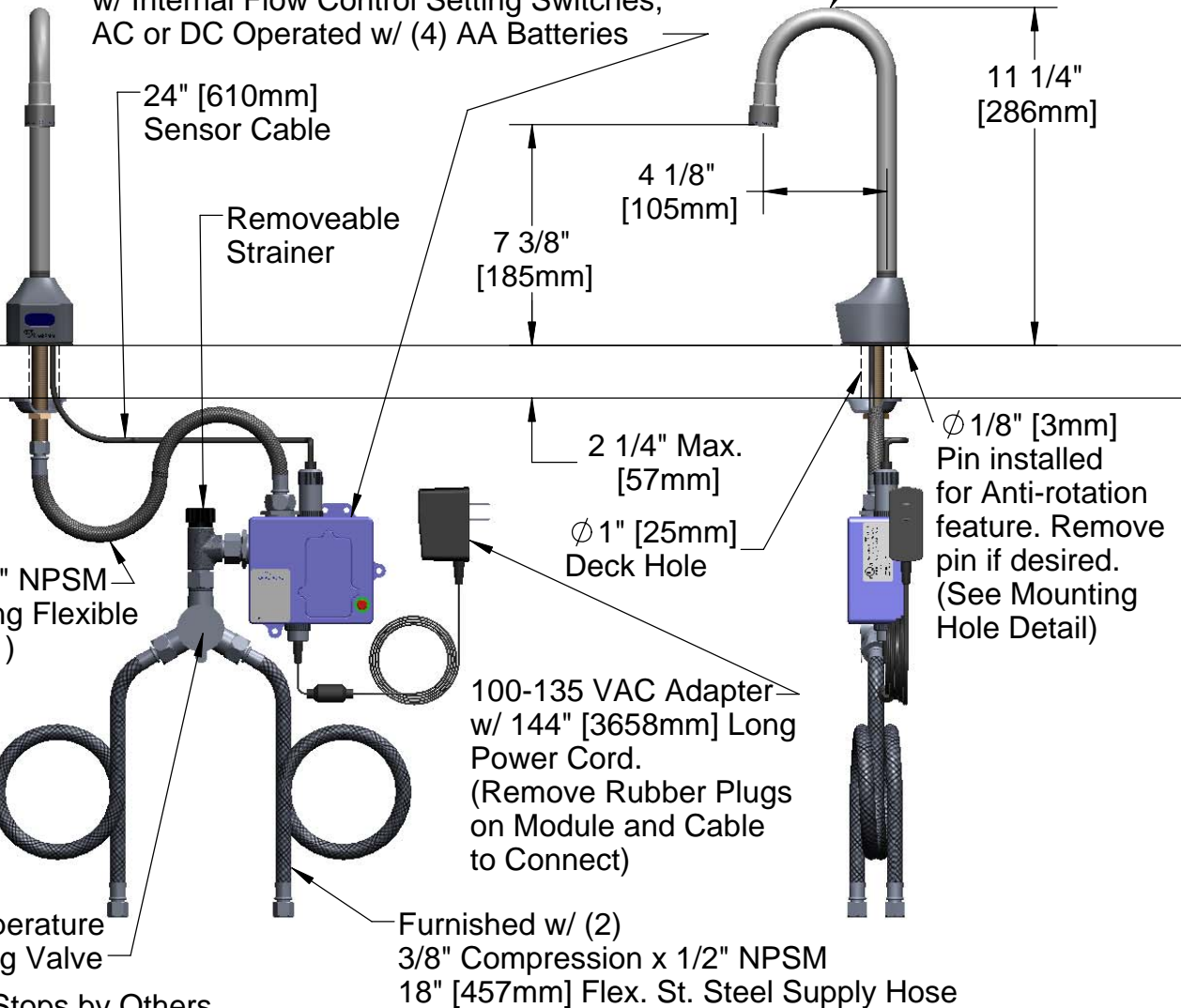
Contractor _____

Architect/Engineer _____



Rigid Gooseneck
w/ 2.2 GPM Vandal
Resistant Aerator
(Optional 2.2 GPM
VR Laminar Device)

3 5/8" x 4 3/16" x 2" Deep
[92mm x 106mm x 51mm]
Waterproof Control Module Box (Blue)
w/ Internal Flow Control Setting Switches,
AC or DC Operated w/ (4) AA Batteries



NOTE: Supply Stops by Others

Product Specifications: **Chrome Plated Brass Electronic Faucet:**
Deck Mount Rigid Gooseneck w/ VR Aerator, Optional 2.2 GPM
Laminar Flow Device, AC/DC Control Module with Internal Flow
Control Setting Switches, Temperature Control Mixing Valve,
18" Long Hot & Cold Supply Stop Flexible Connector Hoses

Drawn GEF	Checked JRM	Approved JHB
Scale: NTS		Date: 09/11/08



T&S BRASS AND BRONZE WORKS, INC.

2 Saddleback Cove / P.O. Box 1088
Travelers Rest, SC 29690



REG. #A2601
ISO #9001

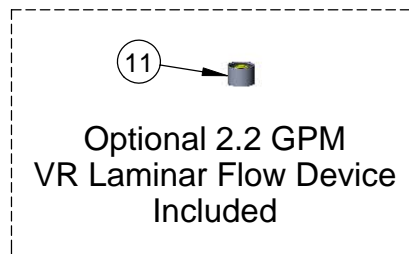
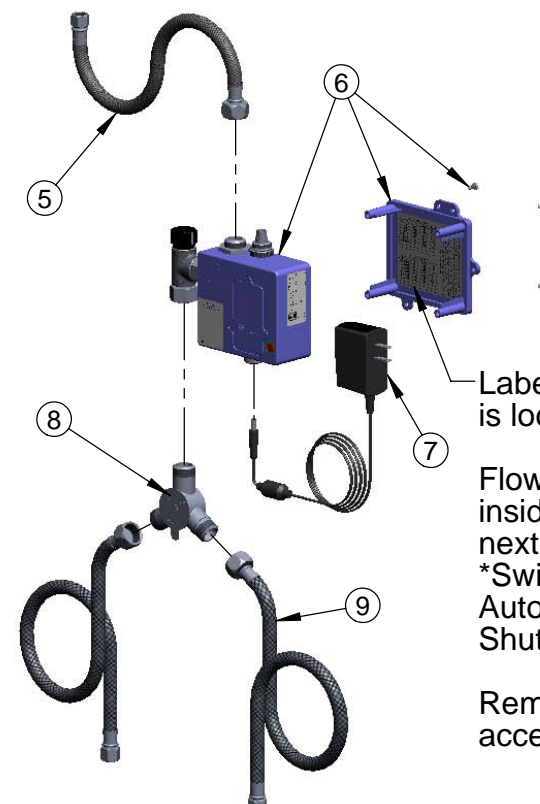
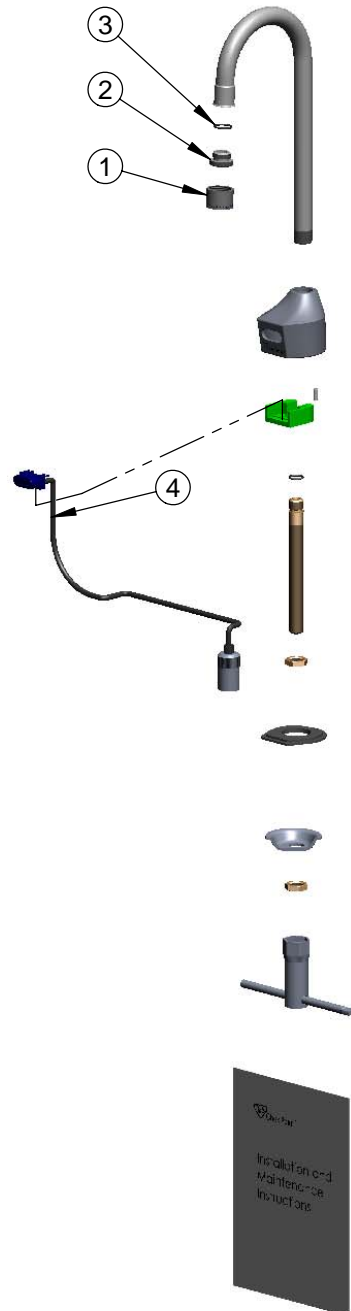
Model No.

EC-3100-LF22

Item No.

Travelers Rest, SC: 800-476-4103 Simi Valley, CA: 800-423-0150 Fax: 864-834-3518 www.tsbrass.com

ITEM NO.	SALES NUMBER	DESCRIPTION
1	B-0199-06	VR Aerator w/ Key
2	044A	3/8" to Aerator Adapter
3	006575-45	-015 O-Ring
4	017195-45	Angled Sensor w/ Cable
5	016297-45	Inlet Hose, Faucet, 1/2" NPSM-F x 1/4" NPSM-F
6	016647-45	ChekPoint Electronic Module (Blue)
7	5EF-0002	A/C Transformer
8	5EF-0006	Manual Mixing Valve
9	5EF-0005	Supply Hose, 9/16-24 Female x 1/2" NPSM
10	Q015425-45	Vandal Resistant Key
11	B-0199-21-VRF	VR Device, 2.2 GPM, Laminar Flow, 55/64-27



Label for Flow Control Switch Settings is located on Inside of Back Cover.

Flow Control Switches are located inside Module Housing in Black Box next to Battery Compartment.
*Switches are set to DEFAULT position:
Auto Time Out = 10 seconds
Shut Off Delay = 1 second.

Remove (4) screws and back cover to access switches.

*Available Water Flow Control Selections:
(6) Auto Time Out Selections - 10 sec, 25 sec, 45 sec, 60 sec, 3 min, 20 min
(6) Shut Off Delay Selections - 1 sec, 2 sec, 3 sec, 4 sec, 5 sec, 6 sec

Product Specifications: **Chrome Plated Brass Electronic Faucet:**
Deck Mount Rigid Gooseneck w/ VR Aerator, Optional 2.2 GPM Laminar Flow Device, AC/DC Control Module with Internal Flow Control Setting Switches, Temperature Control Mixing Valve, 18" Long Hot & Cold Supply Stop Flexible Connector Hoses

Drawn	Checked	JHB
GEF	JRM	JHB
Scale:	Date:	
NTS	09/11/08	