



# T&S BRASS AND BRONZE WORKS, INC.

2 Saddleback Cove / P.O. Box 1088  
Travelers Rest, SC 29690



REG. #A2601  
ISO #9001

Model No.

EC-3101-LN

Item No.

Travelers Rest, SC: 800-476-4103 Simi Valley, CA: 800-423-0150 Fax: 864-834-3518 www.tsbrass.com

This Space for Architect/Engineer Approval

Job Name \_\_\_\_\_ Date \_\_\_\_\_

Model Specified \_\_\_\_\_ Quantity \_\_\_\_\_

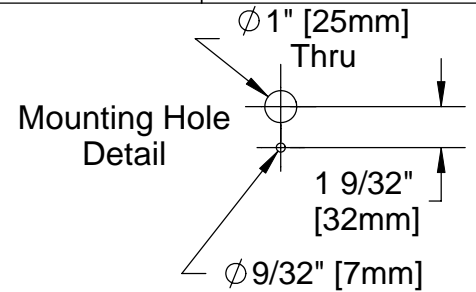
Customer/Wholesaler \_\_\_\_\_

Contractor \_\_\_\_\_

Architect/Engineer \_\_\_\_\_



ADA Compliant



Suitable for Mounting Surfaces Up To 15/16" [24mm] Thick

1/2" NPSM x 3/8" NPSM  
30" [762mm] Long Flexible  
St. Steel Hose (1)

24" [610mm]  
Sensor Cable

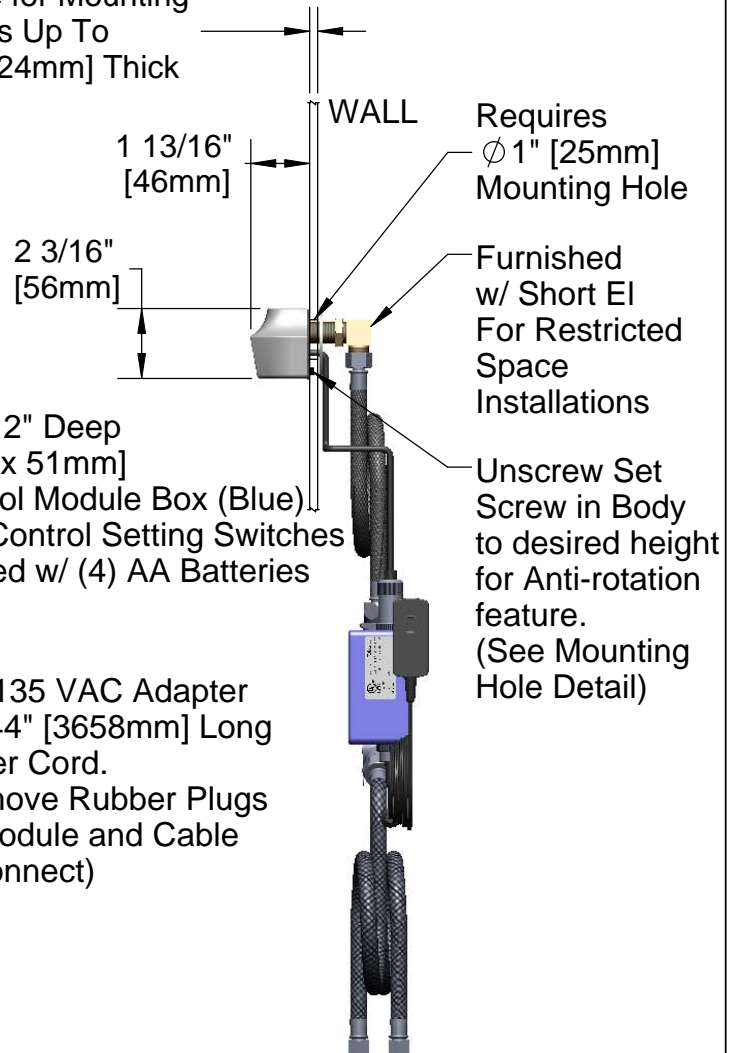
Removeable  
Strainer

Temperature  
Mixing Valve

3 5/8" x 4 3/16" x 2" Deep  
[92mm x 106mm x 51mm]  
Waterproof Control Module Box (Blue)  
w/ Internal Flow Control Setting Switches  
AC or DC operated w/ (4) AA Batteries

100-135 VAC Adapter  
w/ 144" [3658mm] Long  
Power Cord.  
(Remove Rubber Plugs  
on Module and Cable  
to Connect)

Furnished w/ (2)  
3/8" Compression x 1/2" NPSM  
18" [457mm] Flex. St. Steel Supply Hose



**NOTE:** Supply Stops by Others

Product Specifications: **Chrome Plated Brass Electronic Faucet: Wall Mount (Less Gooseneck and Aerator), AC/DC Control Module with Internal Flow Control Setting Switches, Temperature Control Mixing Valve, 18" Lg Hot & Cold Supply Stop Flexible Connector Hoses**

Drawn GEF	Checked JRM	Approved JHB
Scale: NTS		Date: 09/11/08



**T&S BRASS AND BRONZE WORKS, INC.**

2 Saddleback Cove / P.O. Box 1088  
Travelers Rest, SC 29690



REG. #A2601  
ISO #9001

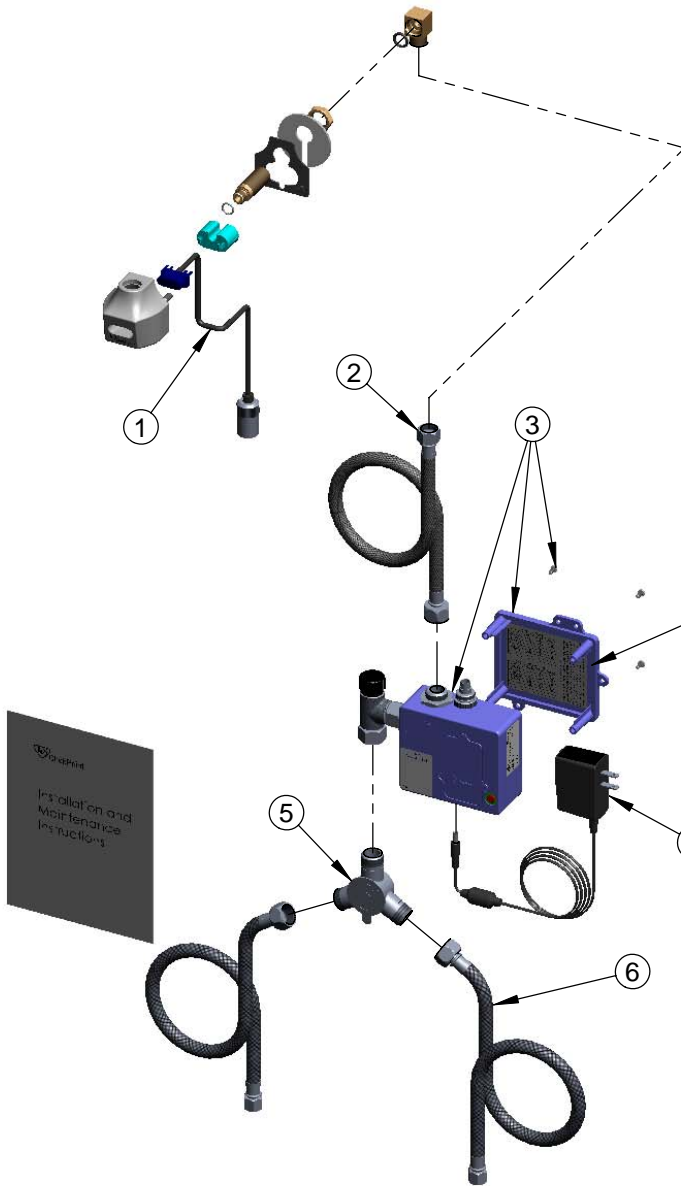
Model No.

**EC-3101-LN**

Item No.

Travelers Rest, SC: 800-476-4103 Simi Valley, CA: 800-423-0150 Fax: 864-834-3518 www.tsbrass.com

ITEM NO.	SALES NUMBER	DESCRIPTION
1	017195-45	Angled Sensor w/ Cable
2	016325-45	Inlet Hose, Faucet, 1/2" NPSM-F x 3/8" NPSM-F
3	016647-45	ChekPoint Module (Blue)
4	5EF-0002	A/C Transformer
5	5EF-0006	Manual Mixing Valve
6	5EF-0005	Supply Hose, 9/16-24 Female x 1/2" NPSM



Label for Flow Control Switch Settings is located on Inside of Back Cover.

Flow Control Switches are located inside Module Housing in Black Box next to Battery Compartment.  
\*Switches are set to DEFAULT position:  
Auto Time Out = 10 seconds  
Shut Off Delay = 1 second.

Remove (4) screws and back cover to access switches.

**\*Available Water Flow Control Selections:**

(6) Auto Time Out Selections - 10 sec, 25 sec, 45 sec, 60 sec, 3 min, 20 min

(6) Shut Off Delay Selections - 1 sec, 2 sec, 3 sec, 4 sec, 5 sec, 6 sec

Product Specifications: **Chrome Plated Brass Electronic Faucet: Wall Mount (Less Gooseneck and Aerator), AC/DC Control Module with Internal Flow Control Setting Switches, Temperature Control Mixing Valve, 18" Lg Hot & Cold Supply Stop Flexible Connector Hoses**

Drawn GEF	Checked JRM	Approved JHB
Scale: NTS		Date: 09/11/08