



# T&S BRASS AND BRONZE WORKS, INC.

2 Saddleback Cove / P.O. Box 1088  
Travelers Rest, SC 29690



REG. #A2601  
ISO #9001

Model No.

EC-3102-LF22

Item No.

Travelers Rest, SC: 800-476-4103 Simi Valley, CA: 800-423-0150 Fax: 864-834-3518 www.tsbrass.com

This Space for Architect/Engineer Approval

Job Name \_\_\_\_\_ Date \_\_\_\_\_

Model Specified \_\_\_\_\_ Quantity \_\_\_\_\_

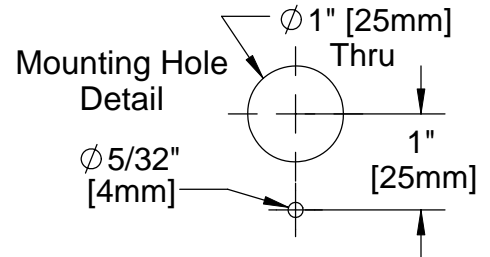
Customer/Wholesaler \_\_\_\_\_

Contractor \_\_\_\_\_

Architect/Engineer \_\_\_\_\_

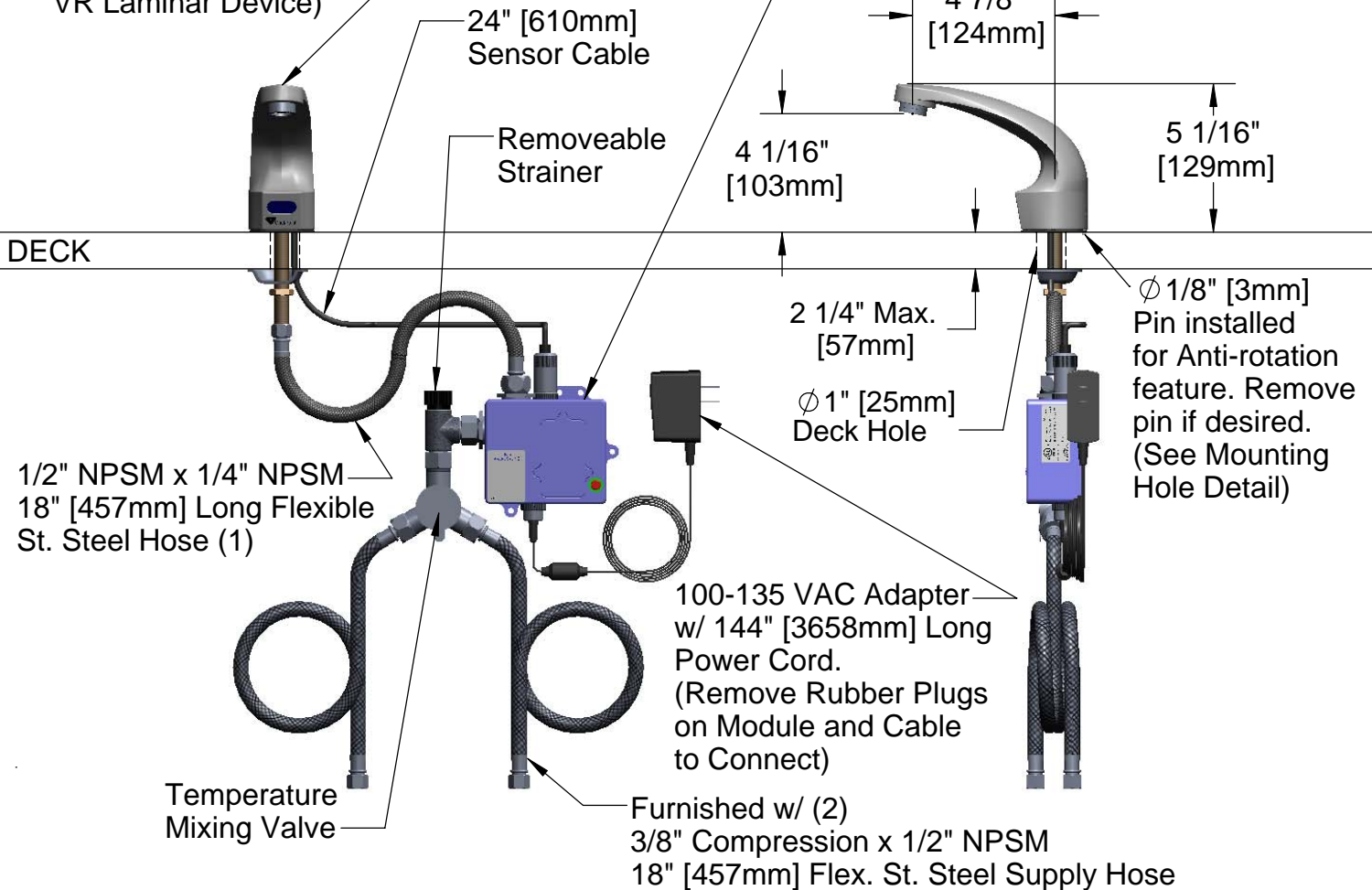


ADA Compliant



Solid Cast Brass Spout  
w/ Polish Chrome Plated Finish  
and 2.2 GPM Vandal Resistant  
Aerator (Optional 2.2 GPM  
VR Laminar Device)

3 5/8" x 4 3/16" x 2" Deep  
[92mm x 106mm x 51mm]  
Waterproof Control Module Box (Blue)  
w/ Internal Flow Control Setting Switches,  
AC or DC operated w/ (4) AA  
Batteries



**NOTE:** Supply Stops by Others

Product Specifications: Chrome Plated Brass Electronic Faucet:  
Single Hole Deck Mount Spout w/ VR Aerator, Optional 2.2 GPM  
Laminar Flow Device, AC/DC Control Module with Internal Flow  
Control Setting Switches, Temperature Control Mixing Valve,  
18" Long Hot & Cold Supply Stop Flexible Connector Hoses

Drawn  
GEF

Checked  
JRM

Approved  
JHB

Scale:

NTS

Date:

09/11/08



**T&S BRASS AND BRONZE WORKS, INC.**

2 Saddleback Cove / P.O. Box 1088  
Travelers Rest, SC 29690



REG. #A2601  
ISO #9001

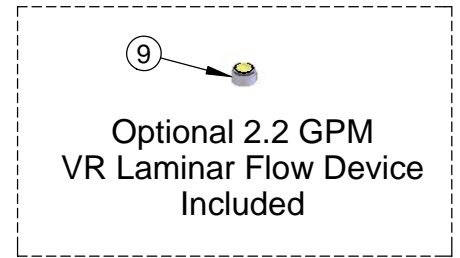
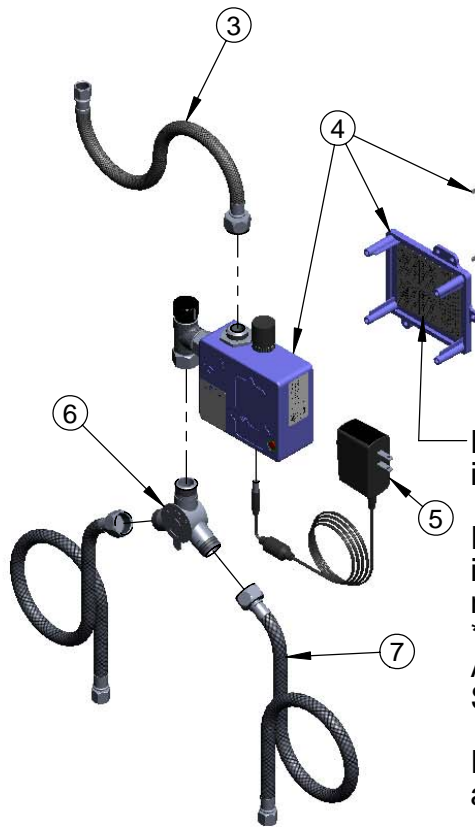
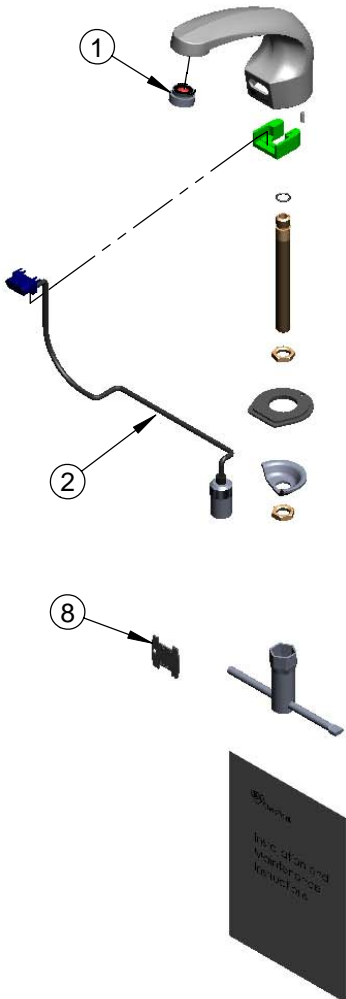
Model No.

EC-3102-LF22

Item No.

Travelers Rest, SC: 800-476-4103 Simi Valley, CA: 800-423-0150 Fax: 864-834-3518 www.tsbrass.com

ITEM NO.	SALES NO.	DESCRIPTION
1	016355-45	Aerator w/ Key, Vandal Resistant, 2.2 GPM, 13/16-27 Male
2	017195-45	Angled Sensor w/ Cable
3	016297-45	Inlet Hose, Faucet, 1/2" NPSM-F x 1/4" NPSM-F
4	016647-45	ChekPoint Electronic Module (Blue)
5	5EF-0002	A/C Transformer
6	5EF-0006	Manual Mixing Valve
7	5EF-0005	Supply Hose, 9/16-24 Female x 1/2" NPSM
8	Q015425-45	Vandal Resistant Key
9	B-0199-28	VR Device, 2.2 GPM, Laminar Flow, 13/16-27



Label for Flow Control Switch Settings is located on Inside of Back Cover.

Flow Control Switches are located inside Module Housing in Black Box next to Battery Compartment.  
\*Switches are set to DEFAULT position:  
Auto Time Out = 10 seconds  
Shut Off Delay = 1 second.

Remove (4) screws and back cover to access switches.

**\*Available Water Flow Control Selections:**

- (6) Auto Time Out Selections - 10 sec, 25 sec, 45 sec, 60 sec, 3 min, 20 min
- (6) Shut Off Delay Selections - 1 sec, 2 sec, 3 sec, 4 sec, 5 sec, 6 sec

Product Specifications: **Chrome Plated Brass Electronic Faucet:**  
Single Hole Deck Mount Spout w/ VR Aerator, Optional 2.2 GPM Laminar Flow Device, AC/DC Control Module with Internal Flow Control Setting Switches, Temperature Control Mixing Valve, 18" Long Hot & Cold Supply Stop Flexible Connector Hoses

Drawn	Checked	Approved
GEF	JRM	JHB
Scale:		Date:
NTS		09/11/08