



T&S BRASS AND BRONZE WORKS, INC.

2 Saddleback Cove / P.O. Box 1088
Travelers Rest, SC 29690



REG. #A2601
ISO #9001

Model No.

EC-HYDROGEN

Item No.

Travelers Rest, SC: 800-476-4103 Simi Valley, CA: 800-423-0150 Fax: 864-834-3518 www.tsbrass.com

This Space for Architect/Engineer Approval

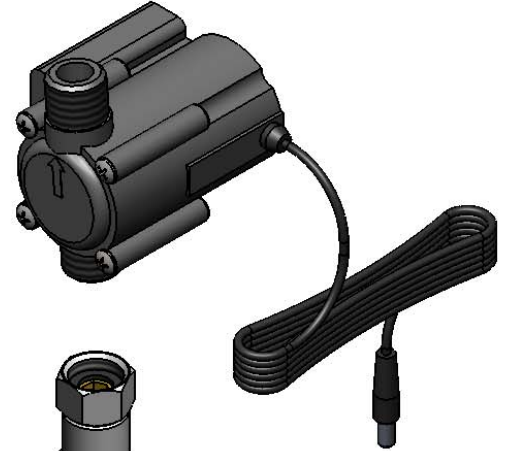
Job Name _____ Date _____

Model Specified _____ Quantity _____

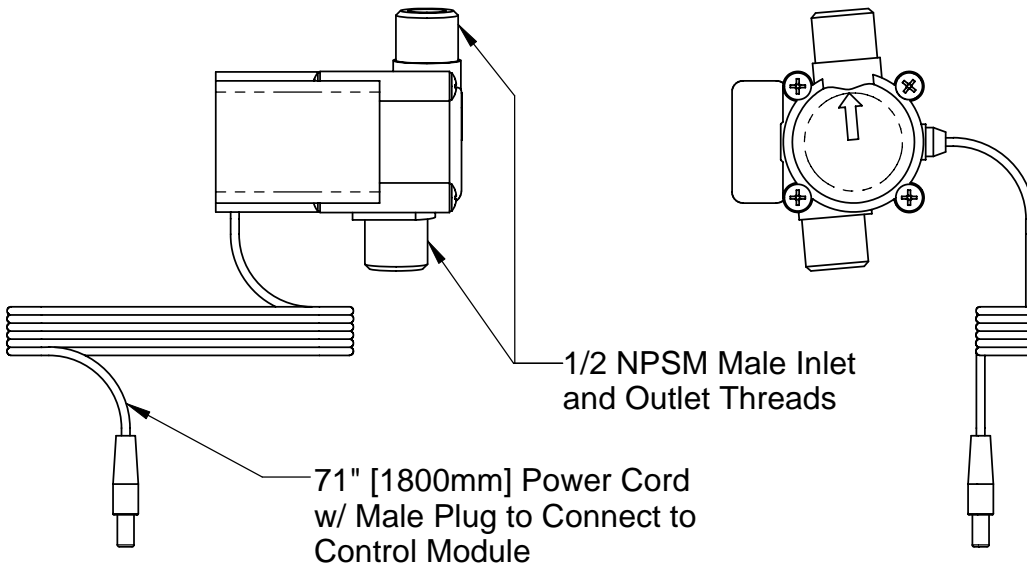
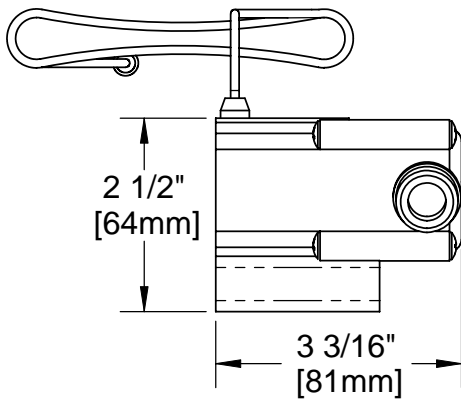
Customer/Wholesaler _____

Contractor _____

Architect/Engineer _____



Includes (1) 1/2 NPSM Swivel Coupling



Product Specifications:

**Hydro Generator Accessory Package for
ChekPoint Electronic Sensor Faucet Models**

Drawn
GEF

Checked
JRM

Approved
JHB

Scale:

NTS

Date:

11/26/08