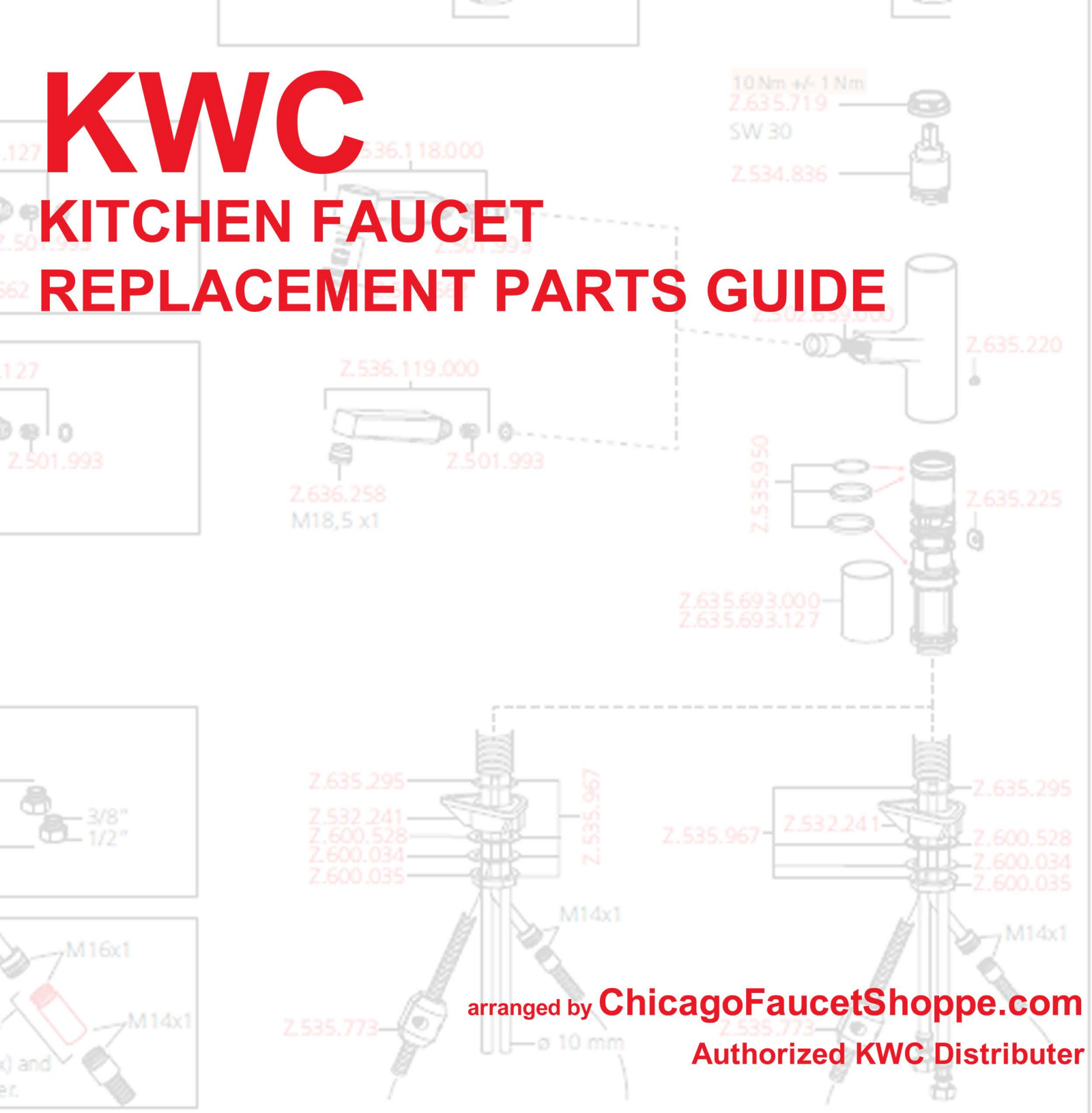


KWC

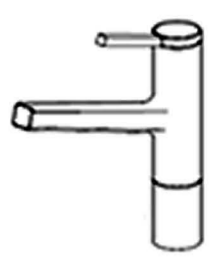
KITCHEN FAUCET REPLACEMENT PARTS GUIDE



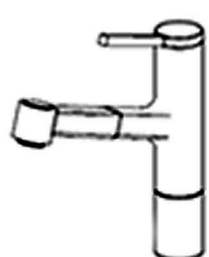
arranged by ChicagoFaucetShoppe.com

Authorized KWC Distributer

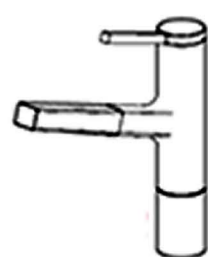
AVA



10.191.023.xxx



10.191.033.xxx



10.191.113.xxx

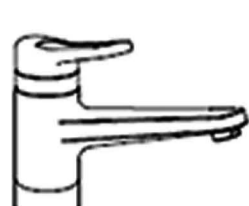


10.191.003.xxx



10.191.103.xxx

DIVO-ARCO



10.041.023 A=9"



10.041.013 A=9"

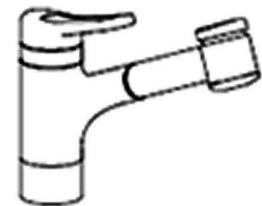


10.041.002 A=7"

10.041.003 A=9"



10.041.991 A=5 1/2"



10.041.032 A=7"

10.041.033 A=9"

DOMO



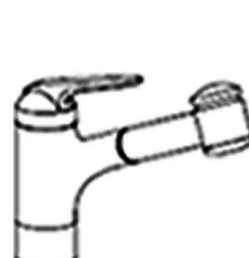
10.061.023



10.061.013



10.061.991



10.061.032

10.061.033



10.061.002

10.061.003



10.061.154

10.061.144

EDGE



10.021.023.xxx



10.021.033.xxx

EVE



10.111.102.xxx

10.121.102.xxx



10.111.103.xxx

10.121.103.xxx



LIVELLO

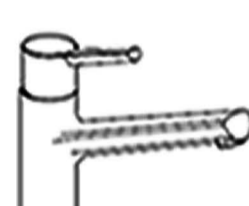


10.231.013.xxx



10.231.103.xxx

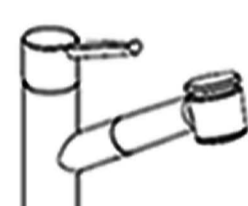
LUNA



10.211.023

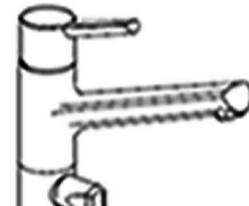
10.211.174

10.215.023



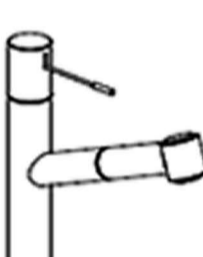
10.211.033

10.215.033

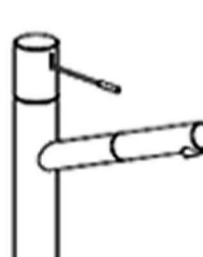


10.211.063

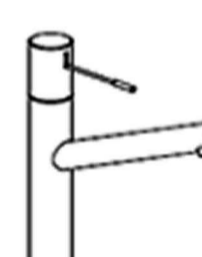
ONO



10.151.033



10.151.113



10.151.023



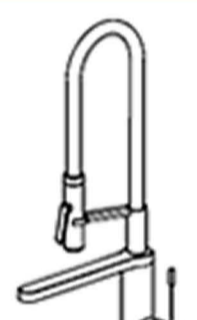
10.151.102



10.151.991



10.151.413



10.151.423.xxx

SIN



10.261.012



10.261.002

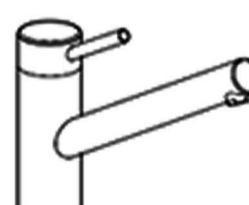


10.261.102

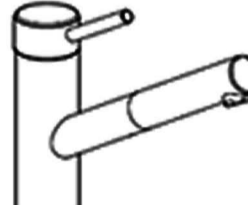


10.261.423

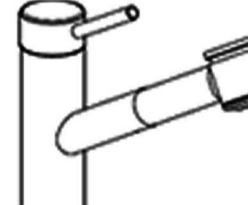
SUPRIMO



10.271.023.700

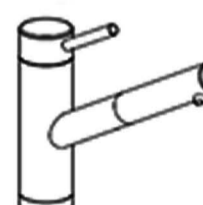


10.271.103.700

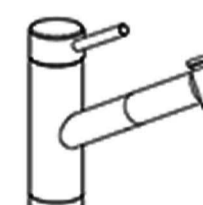


10.271.033.700

10.271.033.736



10.271.303.700



10.271.333.700

(USA only)



10.272.123.700

SYSTEMA



10.501.042.000

10.501.042.700



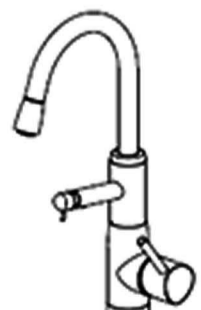
10.501.102.000

10.501.102.700



10.501.122.000

10.501.122.700



10.501.112.000

10.501.112.700



10.501.173.736

10.501.174.736



10.501.183.736

10.501.184.736



10.501.003.736

10.501.004.736

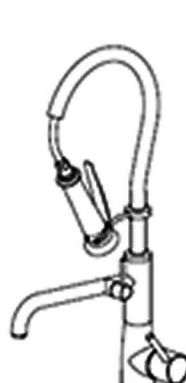


10.501.163.736

10.501.164.736



10.500.537



10.501.134.000

10.501.134.127



10.501.144.000

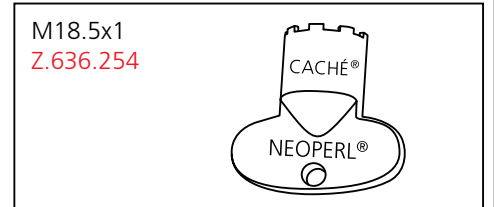
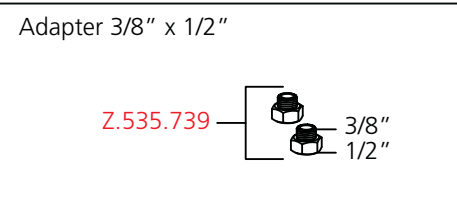
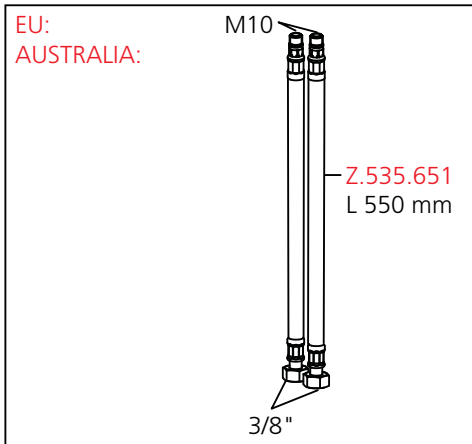
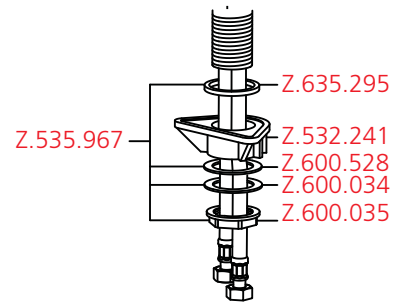
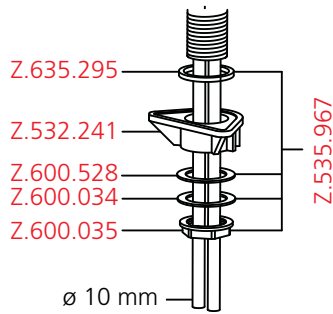
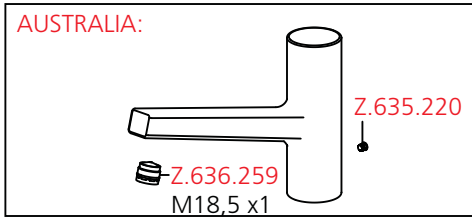
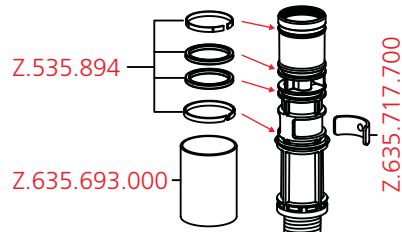
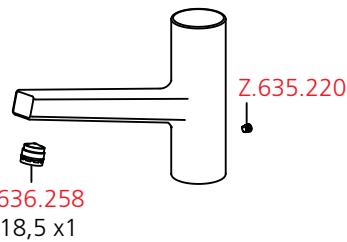
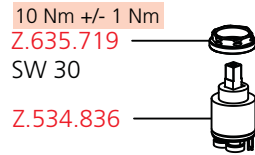
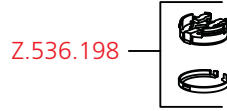
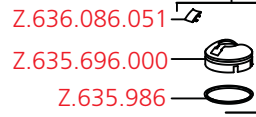
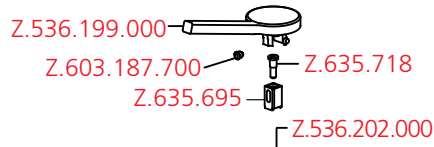
10.501.144.127

10.501.154.000

10.501.154.127

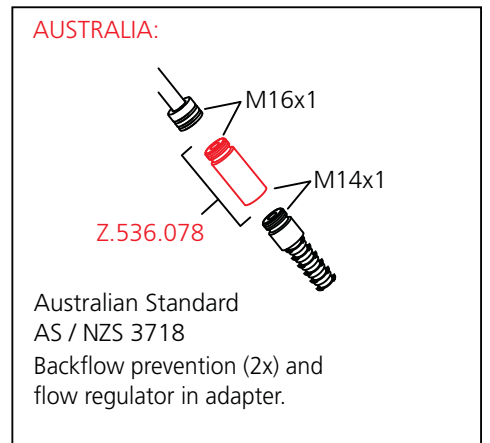
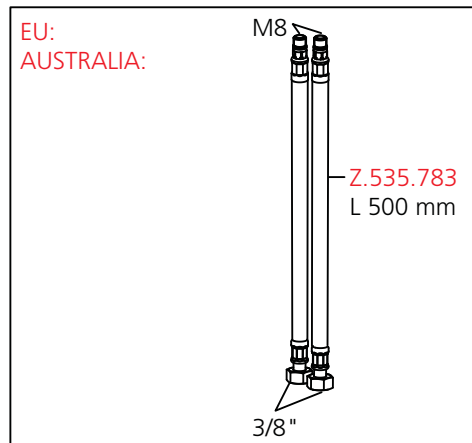
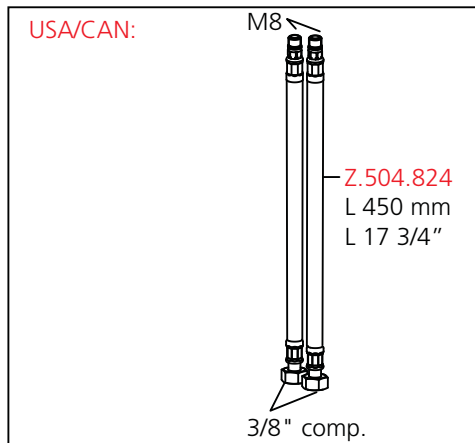
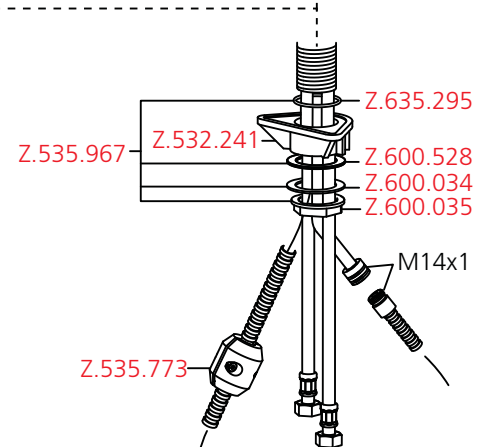
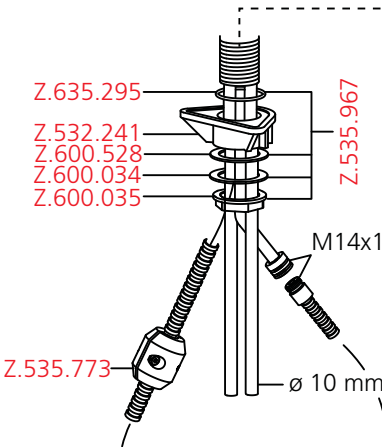
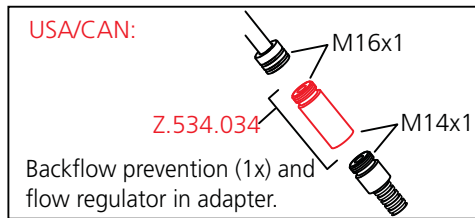
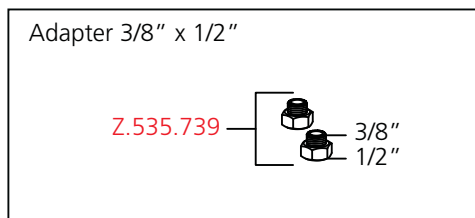
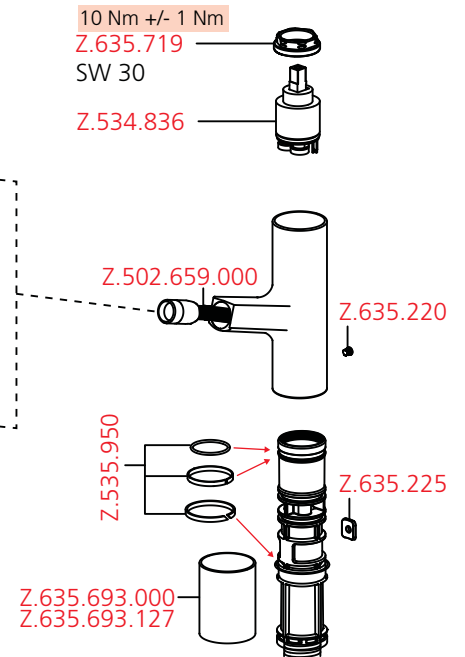
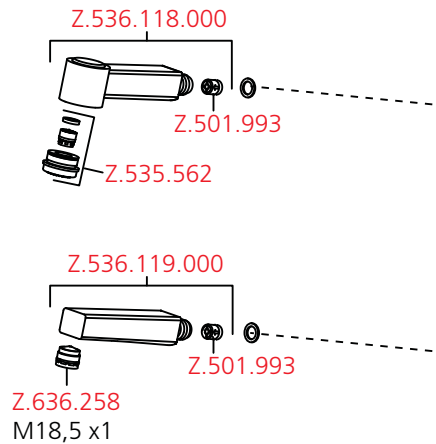
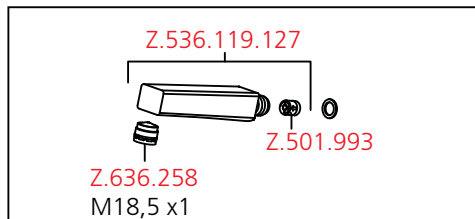
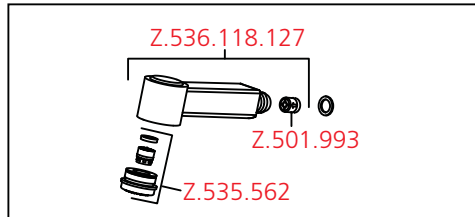
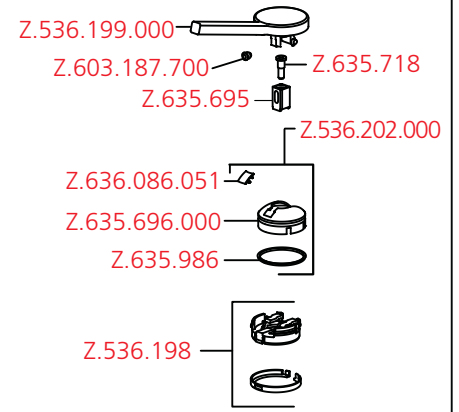
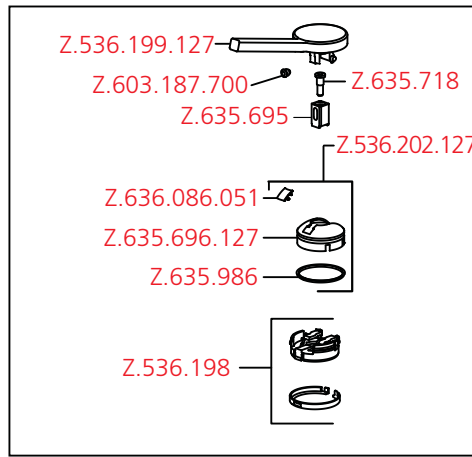
Ersatzteile
 Pièces de rechange
 Pezzi di ricambio
 Repuestos
 Spare parts

10.191.023.000



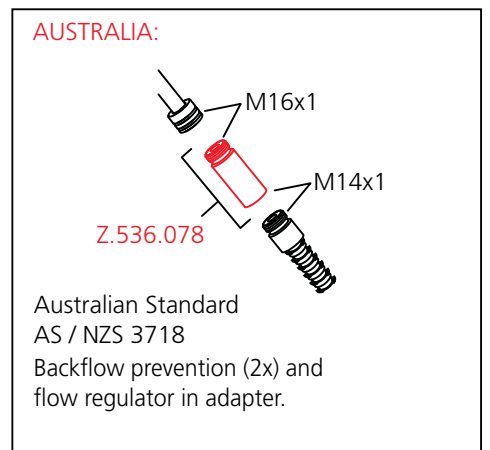
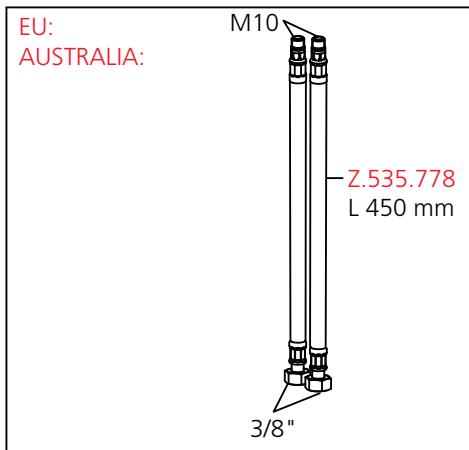
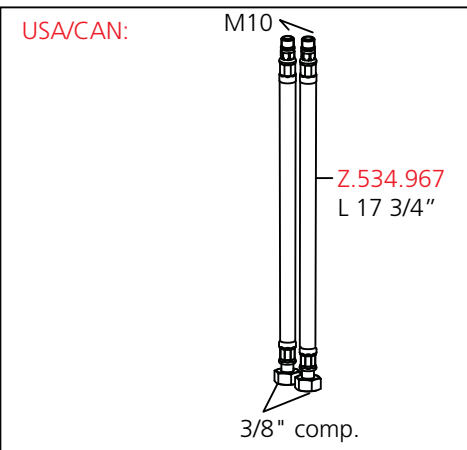
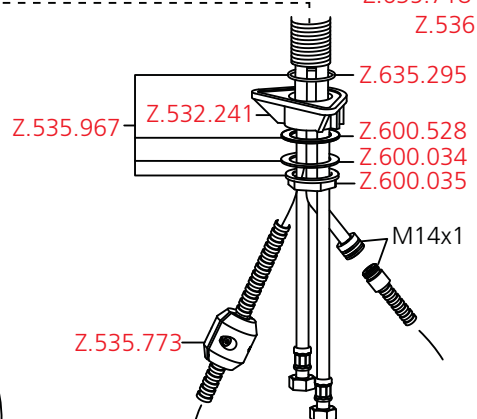
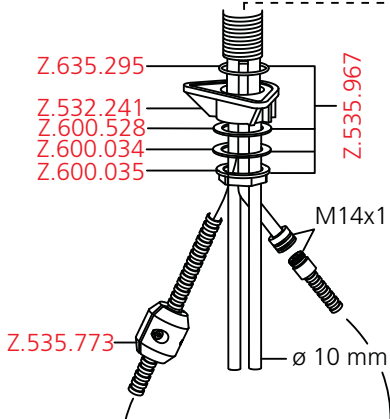
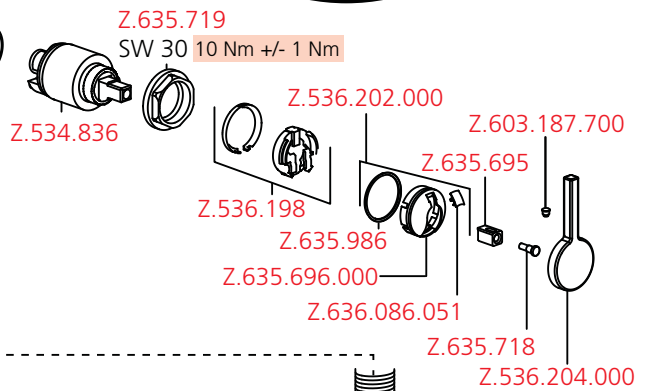
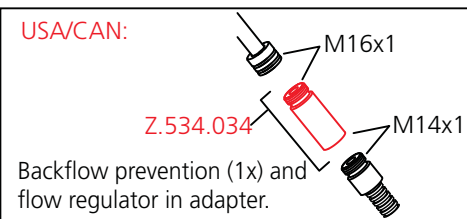
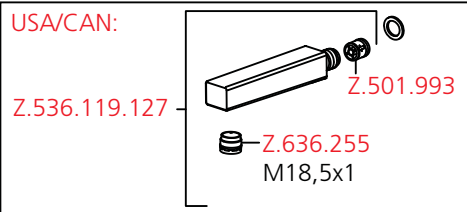
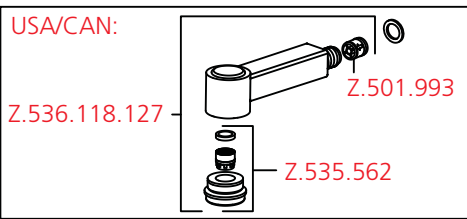
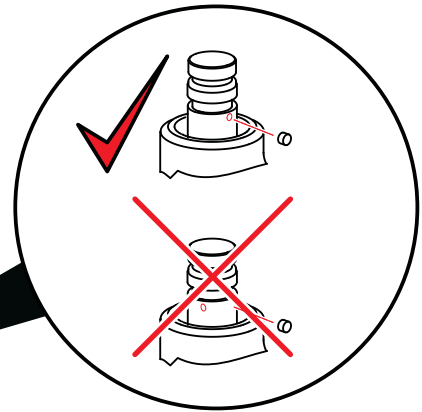
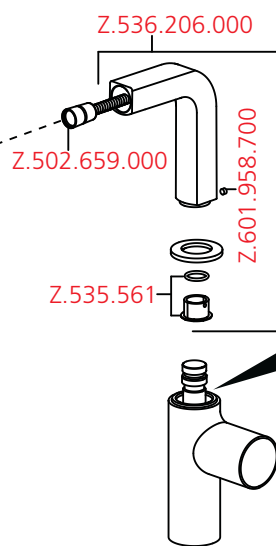
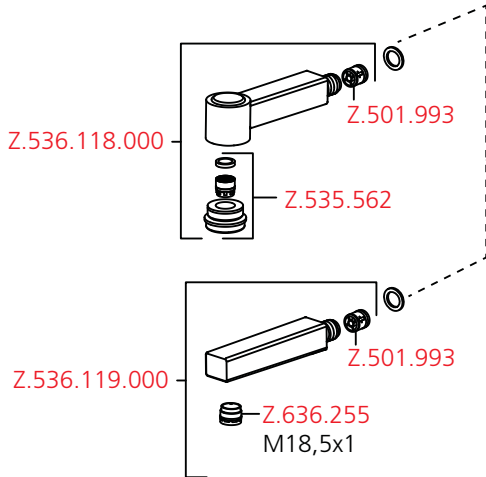
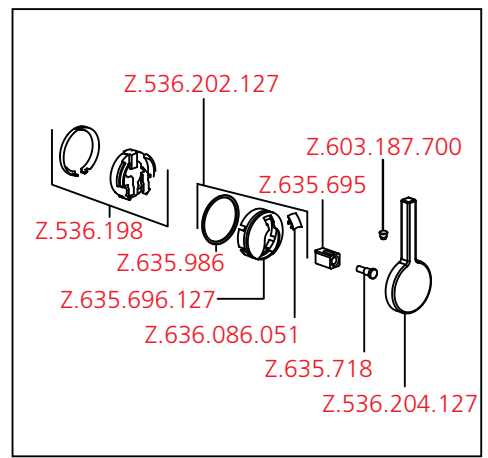
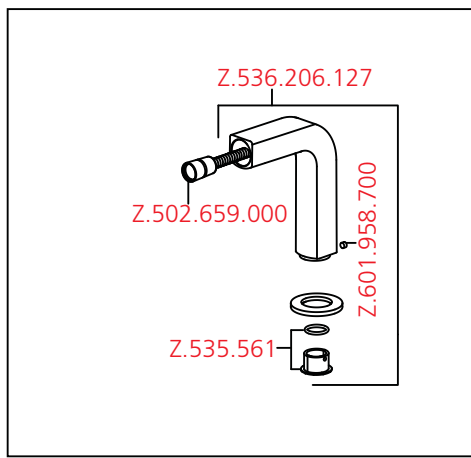
Ersatzteile
Pièces de rechange
Pezzi di ricambio
Repuestos
Spare parts

10.191.033.000
10.191.033.127
10.191.113.000
10.191.113.127



Ersatzteile
Pièces de rechange
Pezzi di ricambio
Repuestos
Spare parts

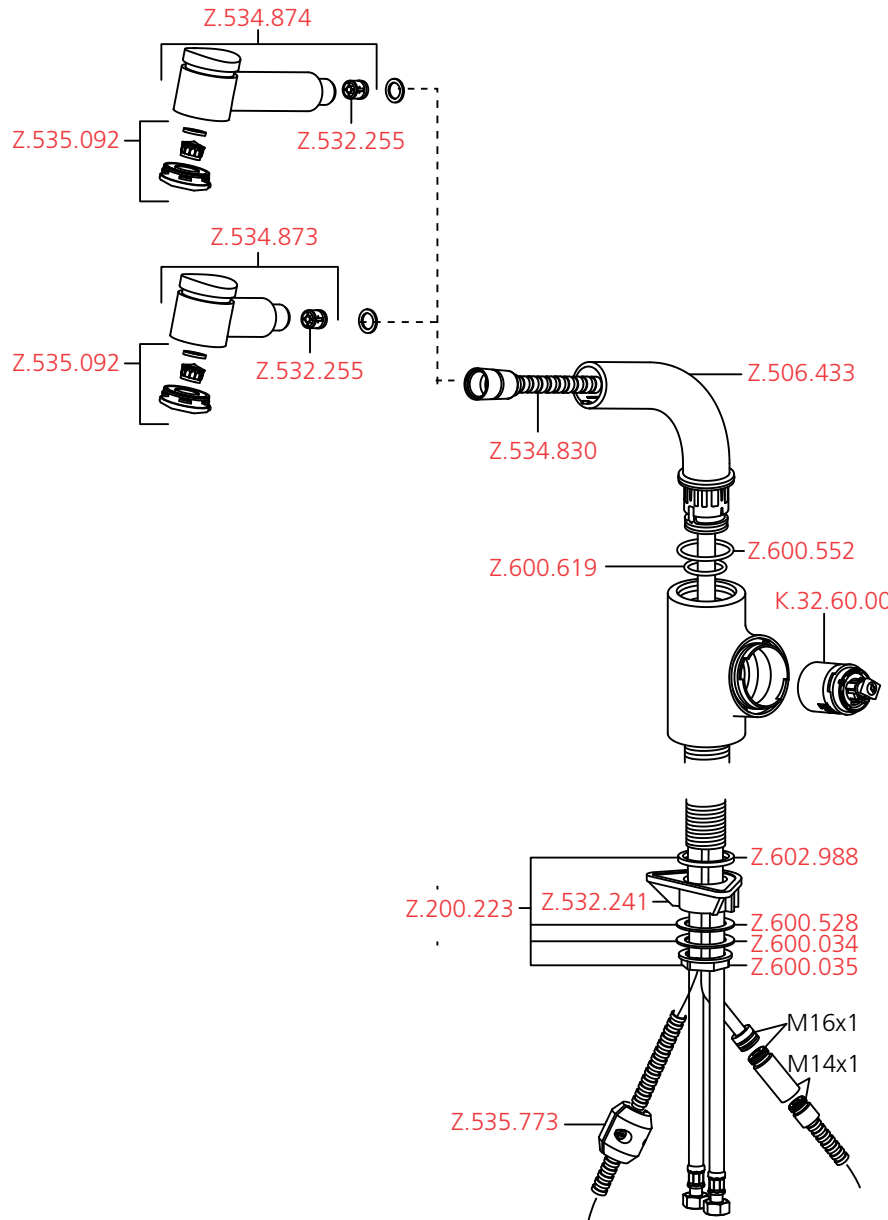
10.191.003.000
10.191.003.127
10.191.103.000
10.191.103.127



KWC DIVO-ARCO

10.041.002 A= 7"

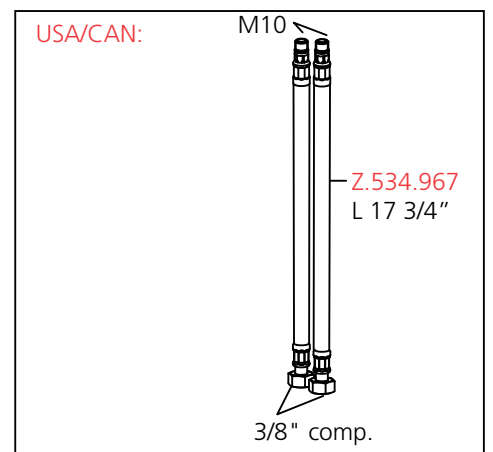
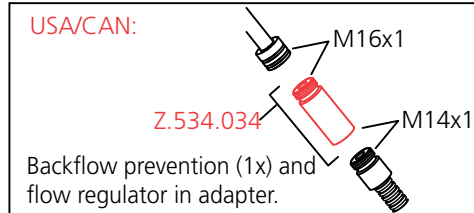
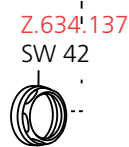
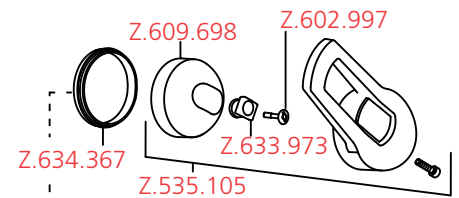
10.041.003 A= 9"



KWC DIVO-ARCO

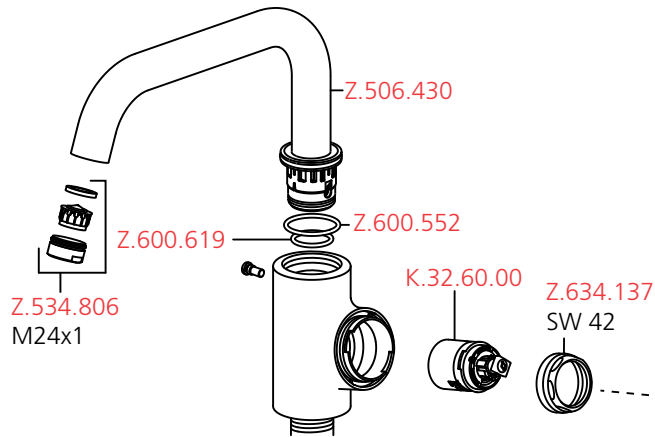
10.041.002 A= 7"

10.041.003 A= 9"

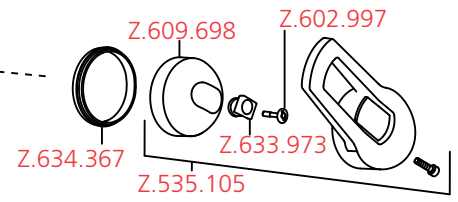


Ersatzteile
 Pièces de rechange
 Pezzi di ricambio
 Repuestos
 Spare parts

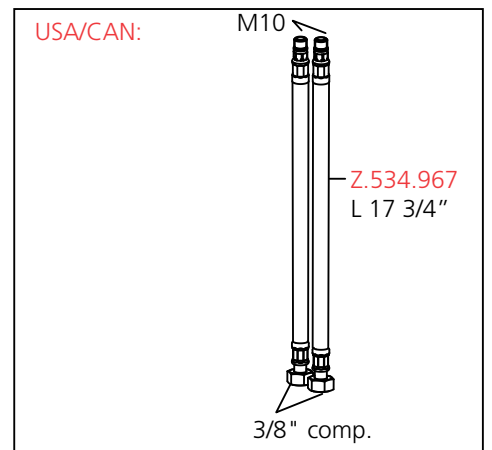
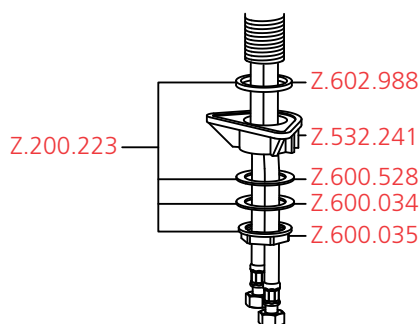
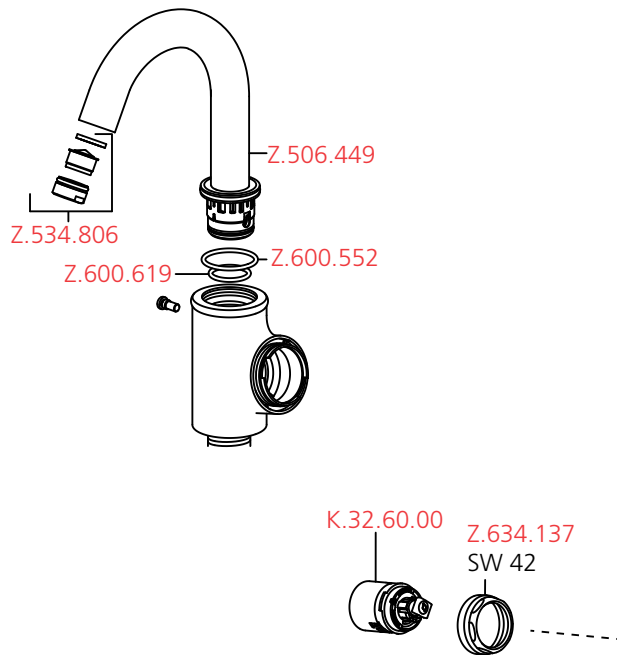
KWC DIVO-ARCO
 10.041.013 A= 9"



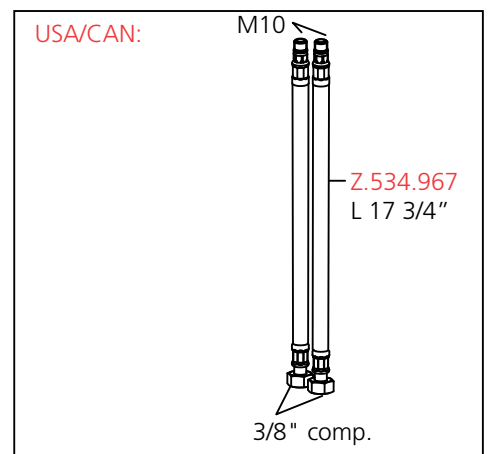
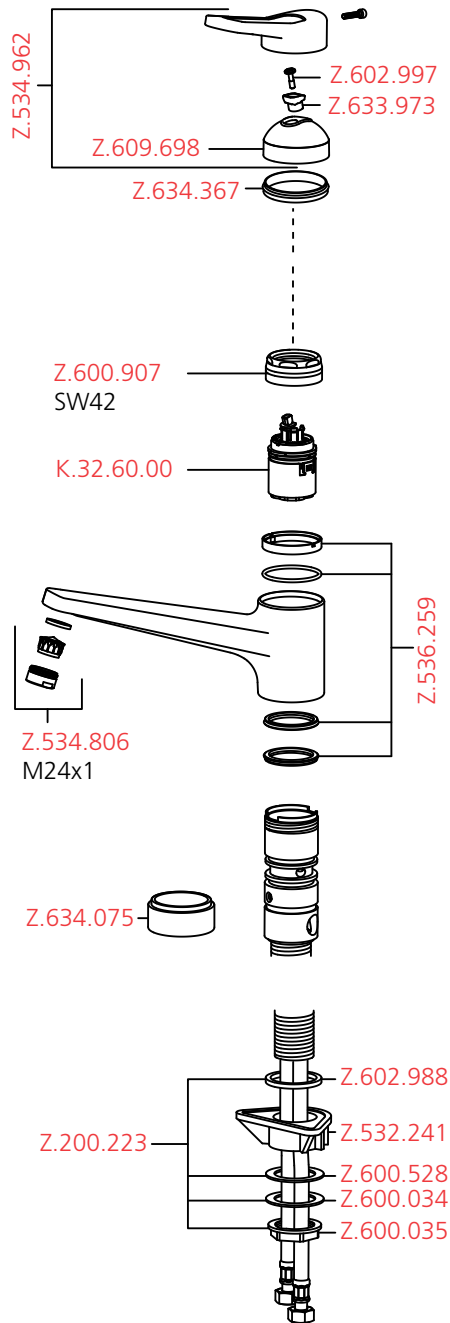
KWC DIVO-ARCO
 10.041.013 A= 9"
 10.041.991 A= 5 1/2"



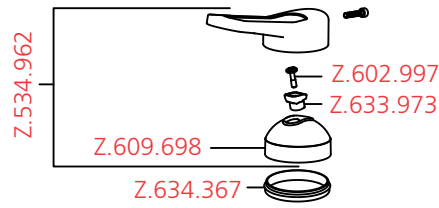
KWC DIVO-ARCO
 10.041.991 A= 5 1/2"



KWC DIVO-ARCO
10.041.023 9"

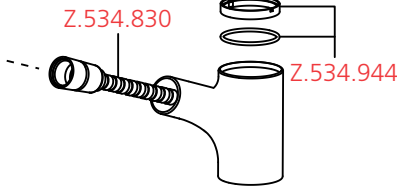


KWC DIVO-ARCO
 10.041.032 7"
 10.041.033 9"

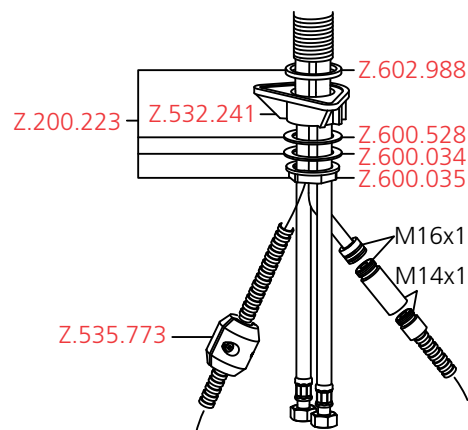


Z.600.907
 SW42

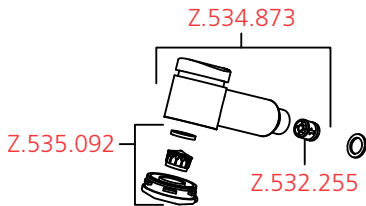
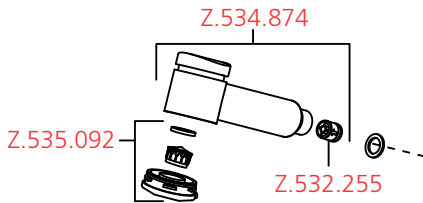
K.32.60.00



-01/2008: ---
 01/2008: Z.634.950



KWC DIVO-ARCO
 10.041.032 7"
 10.041.033 9"



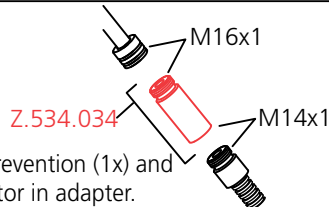
USA/CAN:

M10

Z.534.967
 L 17 3/4"

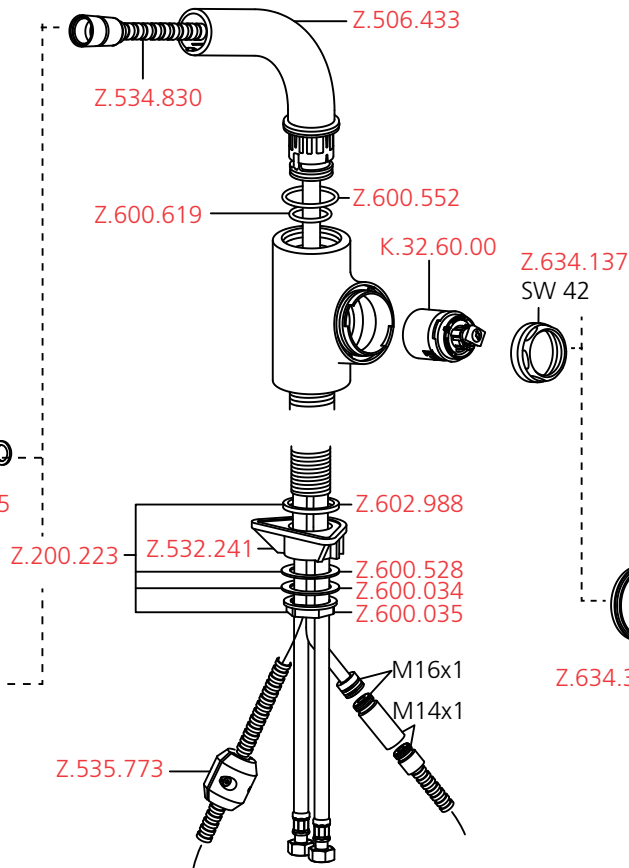
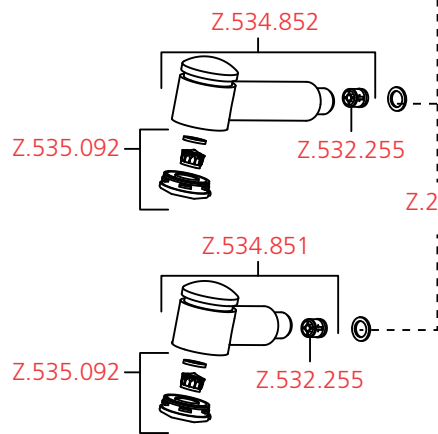
3/8" comp.

USA/CAN:

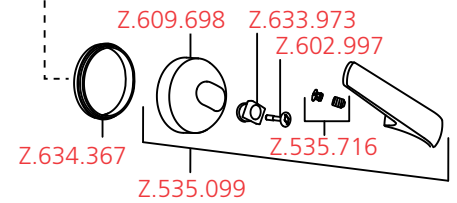


Backflow prevention (1x) and
 flow regulator in adapter.

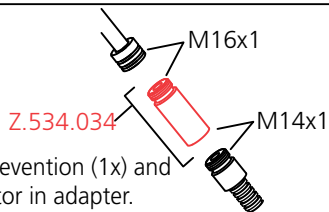
KWC DOMO
 10.061.002 A= 7"
 10.061.003 A= 9"



KWC DOMO
 10.061.002 A= 7"
 10.061.003 A= 9"

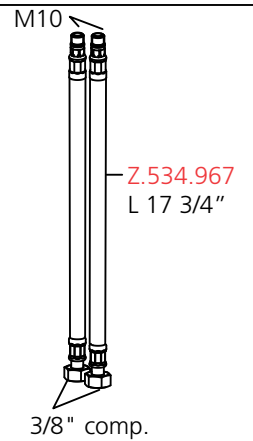


USA/CAN:

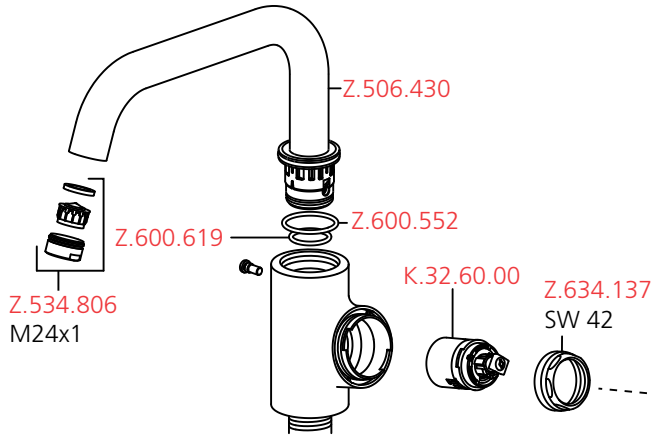


Backflow prevention (1x) and
 flow regulator in adapter.

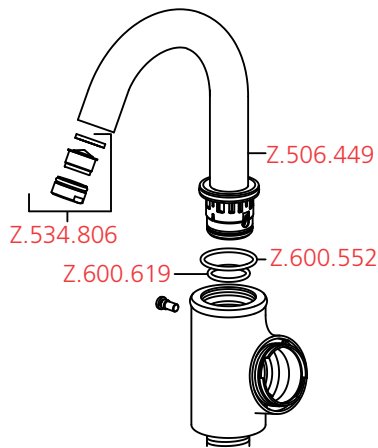
USA/CAN:



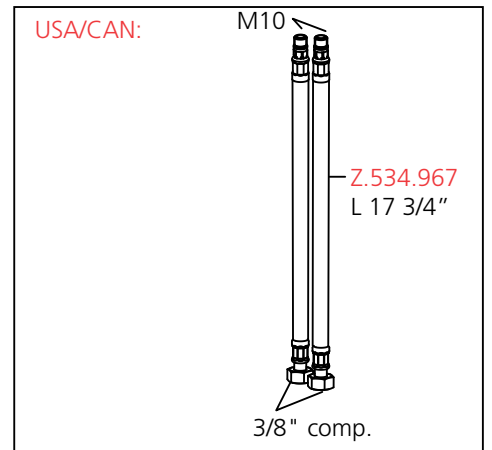
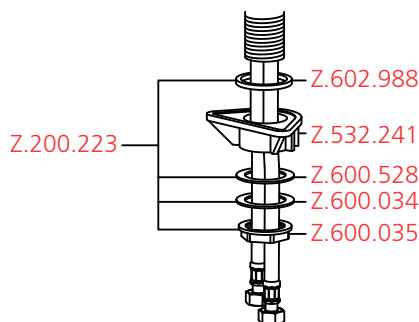
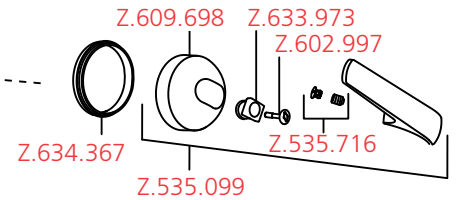
KWC DOMO
10.061.013 A= 9"



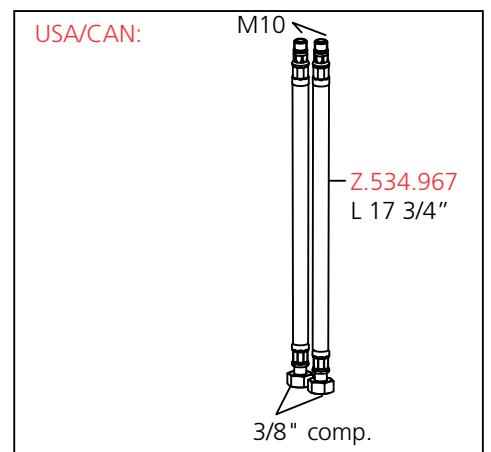
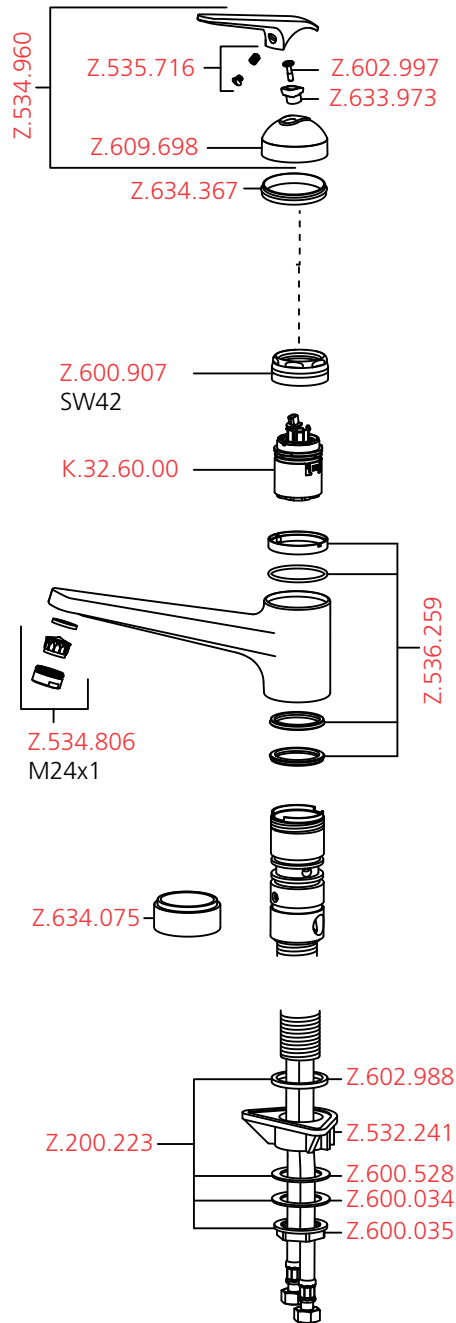
KWC DOMO
10.061.991 A= 5 1/2"



KWC DOMO
10.061.013 A= 9"
10.061.991 A= 5 1/2"

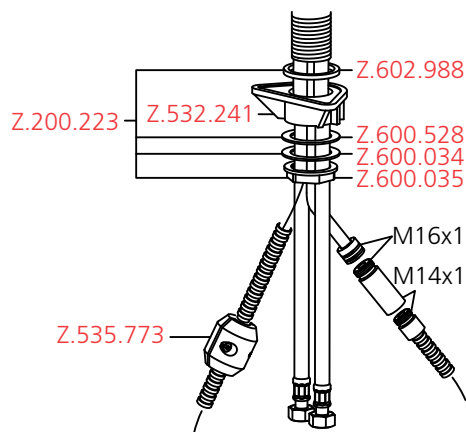
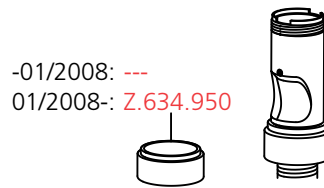
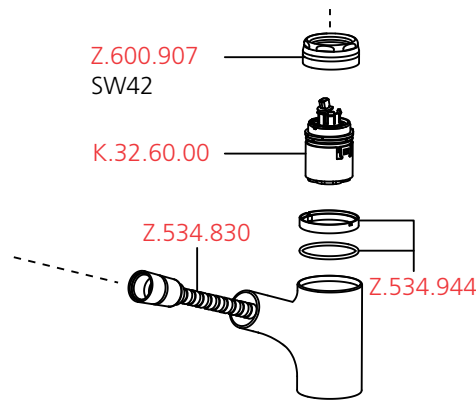
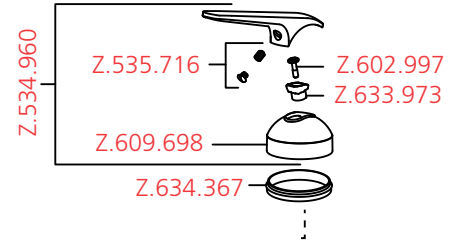


KWC DOMO
 10.061.023 9"

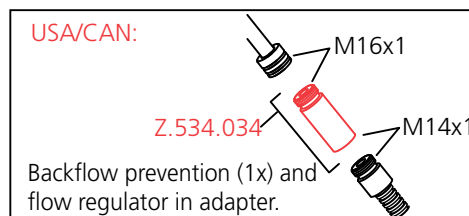
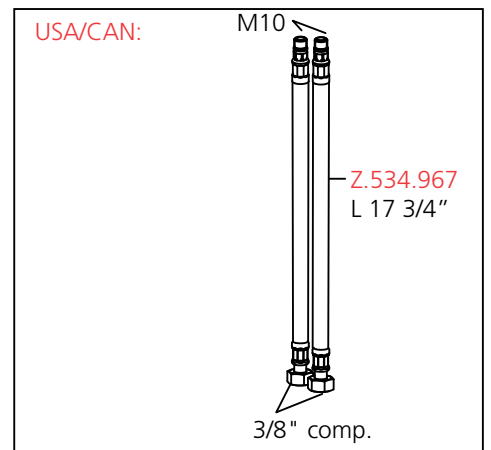
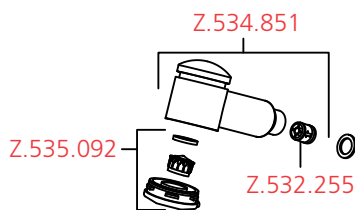
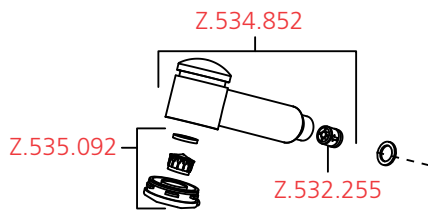


Ersatzteile
 Pièces de rechange
 Pezzi di ricambio
 Repuestos
 Spare parts

KWC DOMO
 10.061.032 7"
 10.061.033 9"

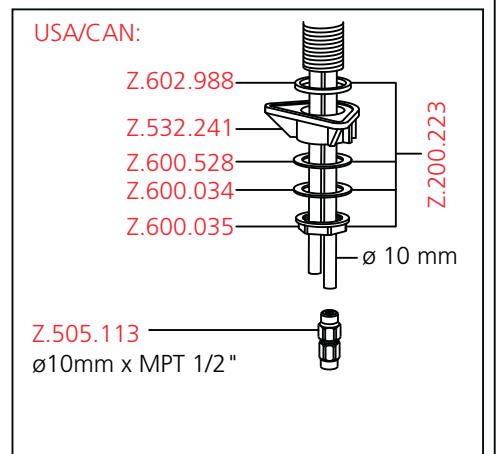
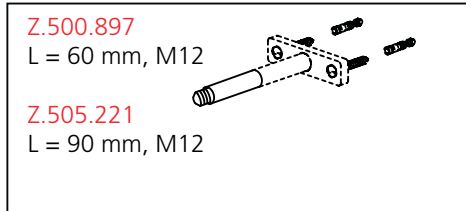
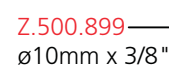
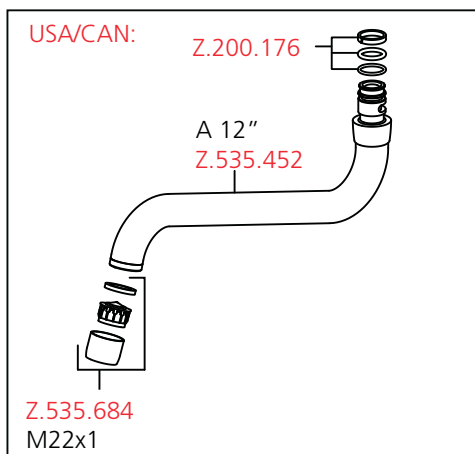
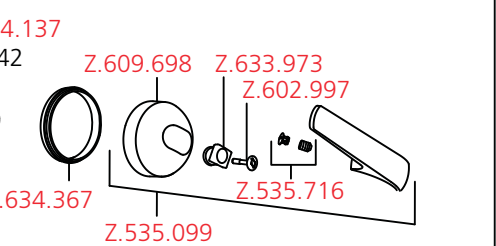
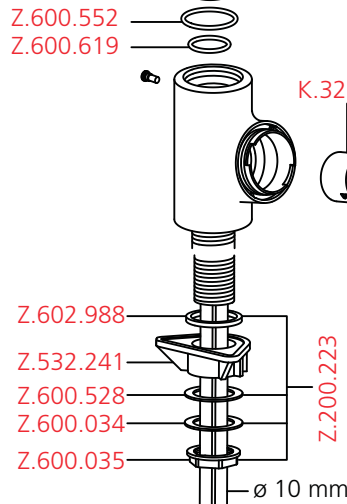
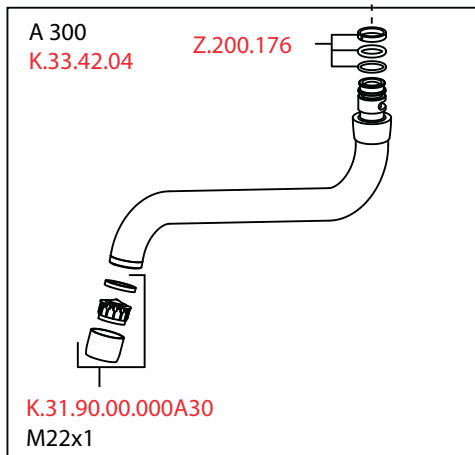
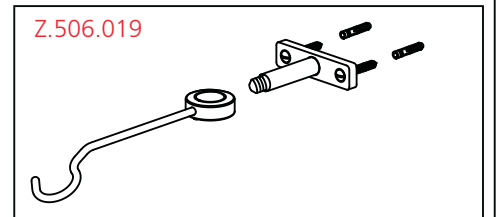
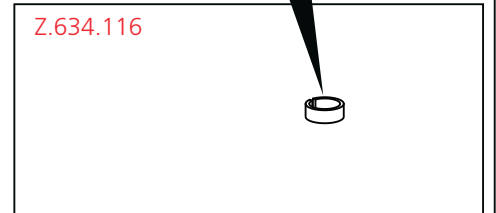
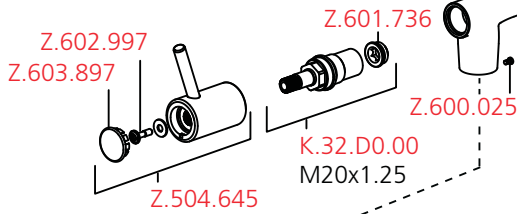
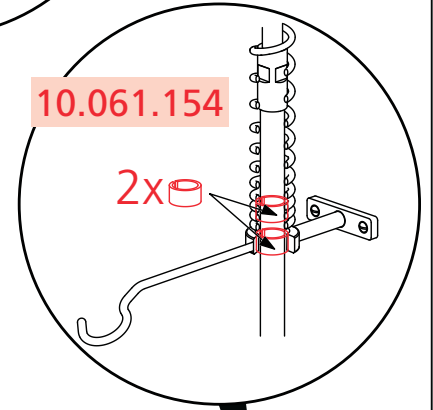
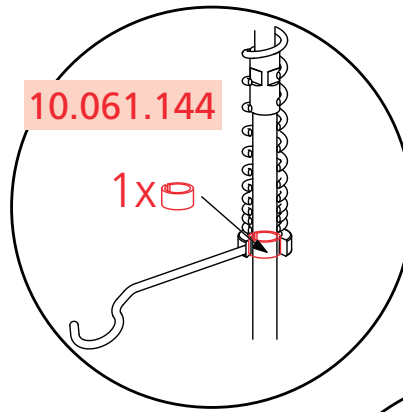
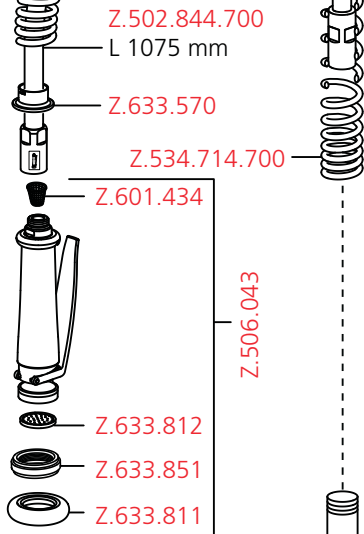
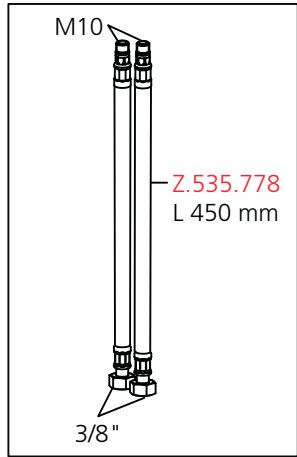


KWC DOMO
 10.061.032 7"
 10.061.033 9"

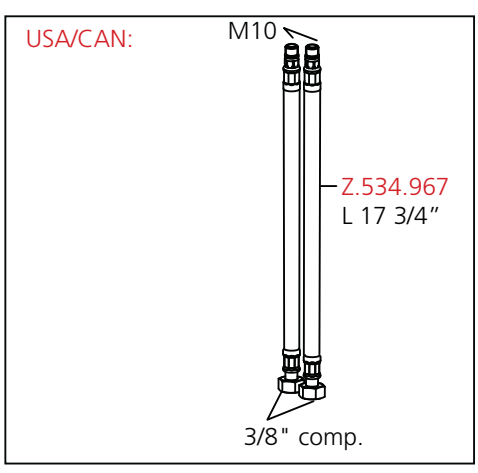
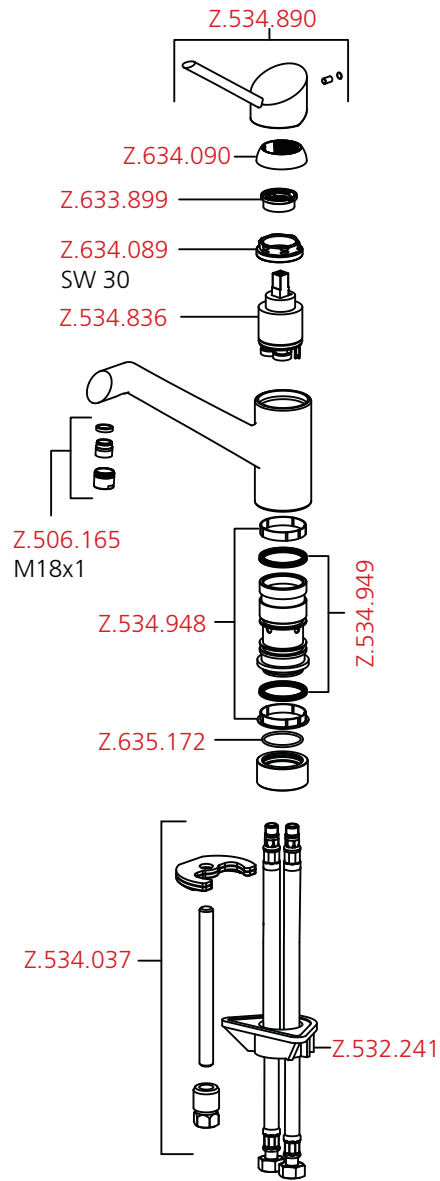


Ersatzteile
Pièces de rechange
Pezzi di ricambio
Repuestos
Spare parts

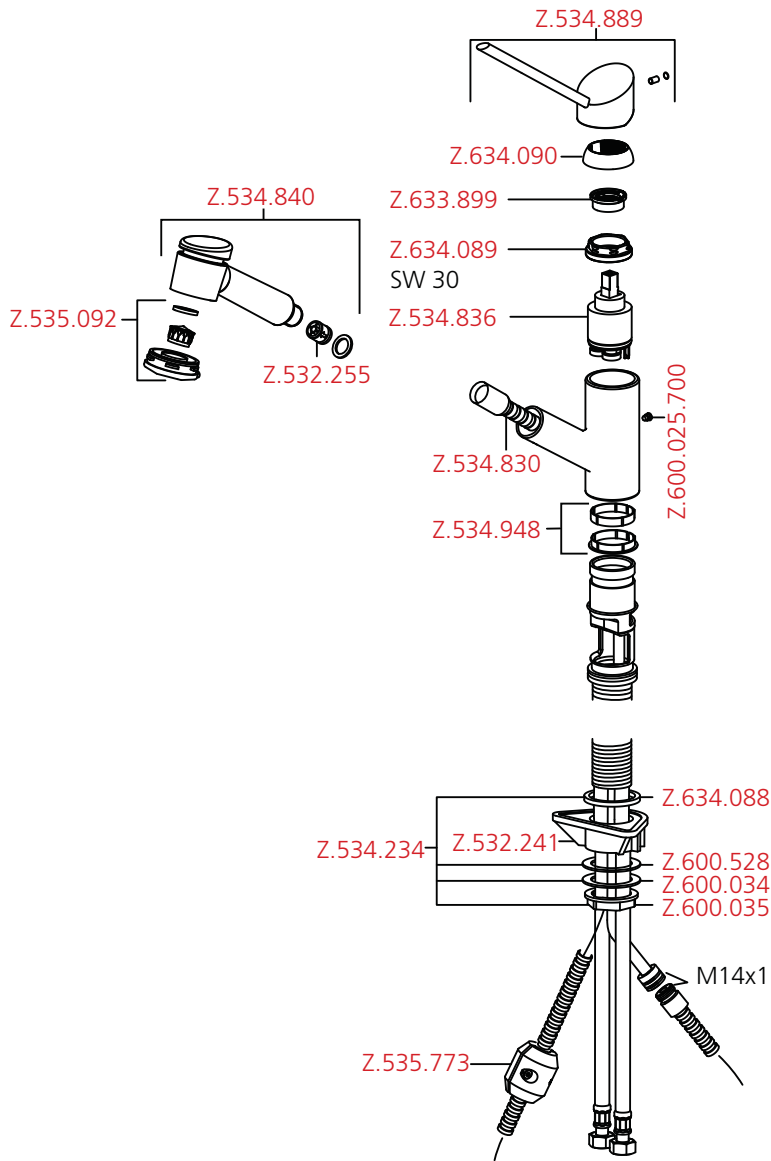
10.061.144
10.061.154



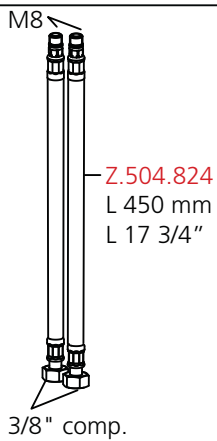
Spare parts
Pièces de rechange
Repuestos



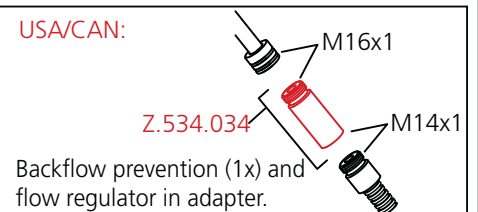
Spare parts
Pièces de rechange
Repuestos



USA/CAN:



USA/CAN:

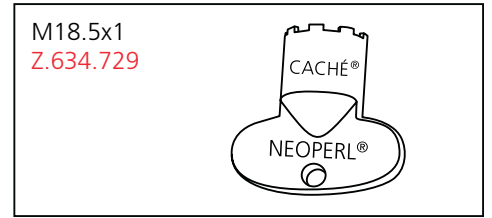
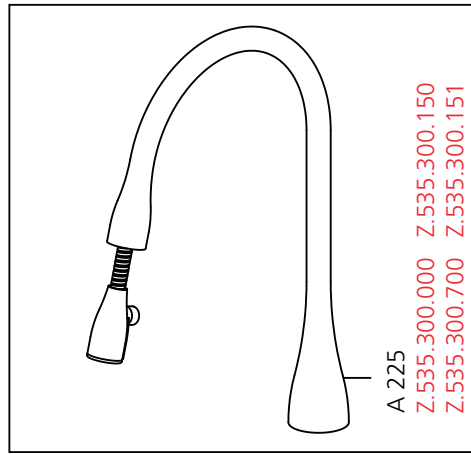
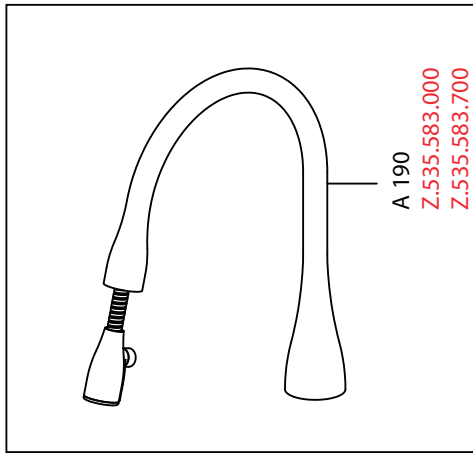
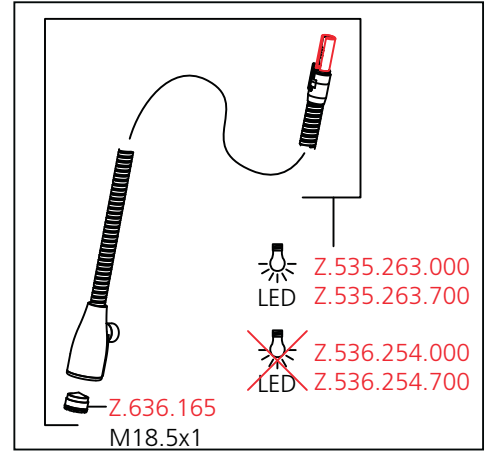


A=190

- 10.111.102.000
- 10.111.102.700
- 10.121.102.000
- 10.121.102.700

A=225

- 10.111.103.000
- 10.111.103.700
- 10.121.103.000
- 10.121.103.700
- 10.121.103.150
- 10.121.103.151



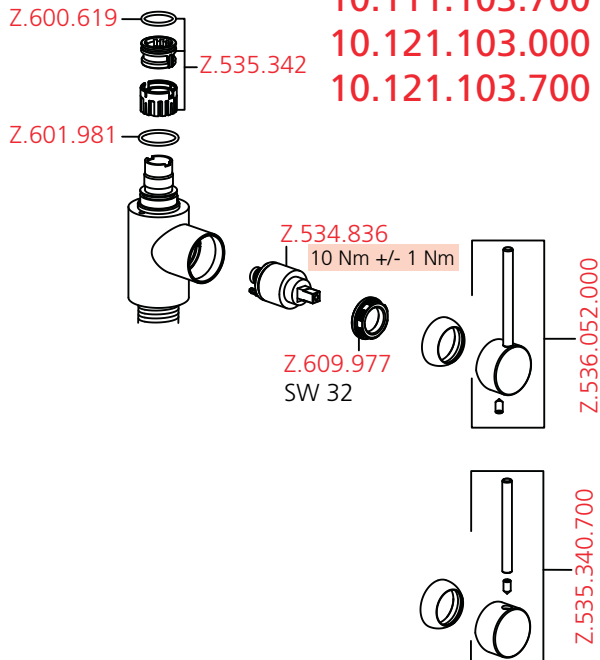
-2007

A=190

- 10.111.102.000
- 10.111.102.700
- 10.121.102.000
- 10.121.102.700

A=225

- 10.111.103.000
- 10.111.103.700
- 10.121.103.000
- 10.121.103.700



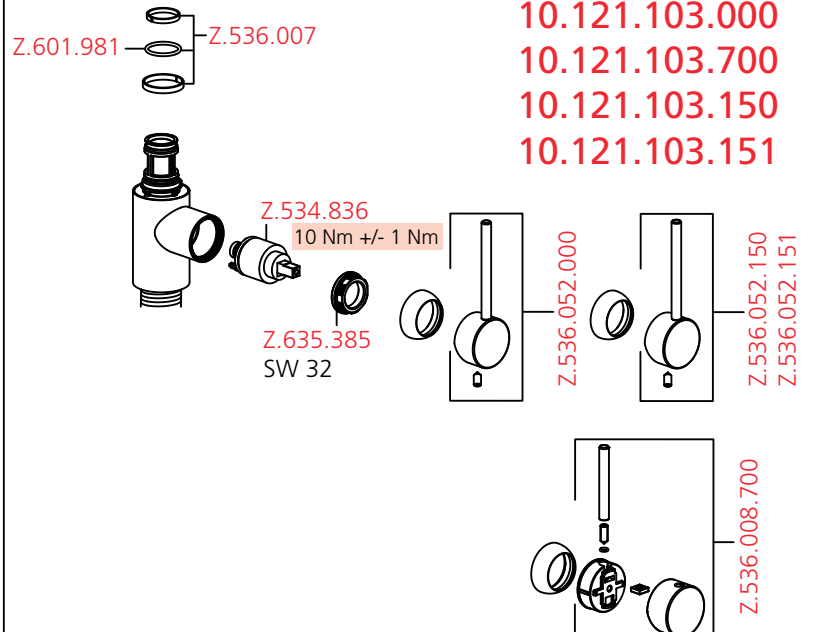
2008-

A=190

- 10.111.102.000
- 10.111.102.700
- 10.121.102.000
- 10.121.102.700

A=225

- 10.111.103.000
- 10.111.103.700
- 10.121.103.000
- 10.121.103.700
- 10.121.103.150
- 10.121.103.151



A=190

10.111.102.000
10.111.102.700



A=225

10.111.103.000
10.111.103.700

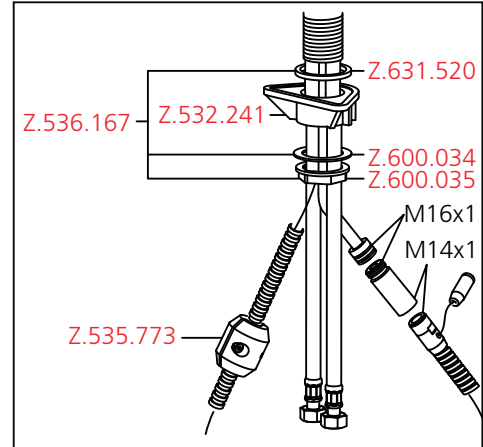
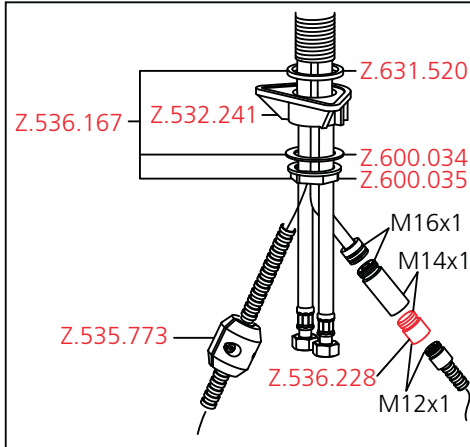
A=190

10.121.102.000
10.121.102.700

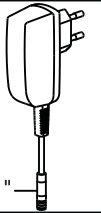


A=225

10.121.103.000
10.121.103.700
10.121.103.150
10.121.103.151



CH/EU: Z.635.582



L= 1100 mm / 31 1/2"

USA/CAN:

M10

Z.534.967
L 17 3/4"

3/8" comp.

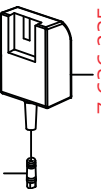
EU/AUSTRALIA:

M10

Z.535.778
L 450 mm

3/8"

GB: Z.636.238
AUS: Z.636.237
USA/JPN: Z.636.236



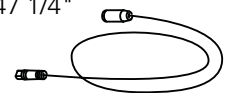
Z.636.235

L= 1100 mm / 43 5/16"

(optional)

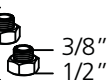
Z.535.364

L= 1200 mm / 47 1/4"



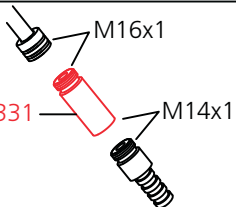
Adapter 3/8" x 1/2"

Z.535.739



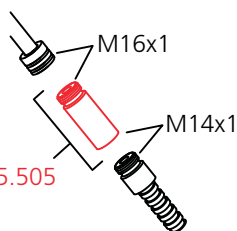
CH/EU:

Z.535.331



USA/CAN:

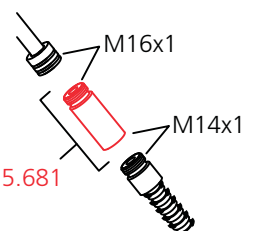
Z.535.505



Backflow prevention (2x) and
flow regulator in adapter.

AUSTRALIA:

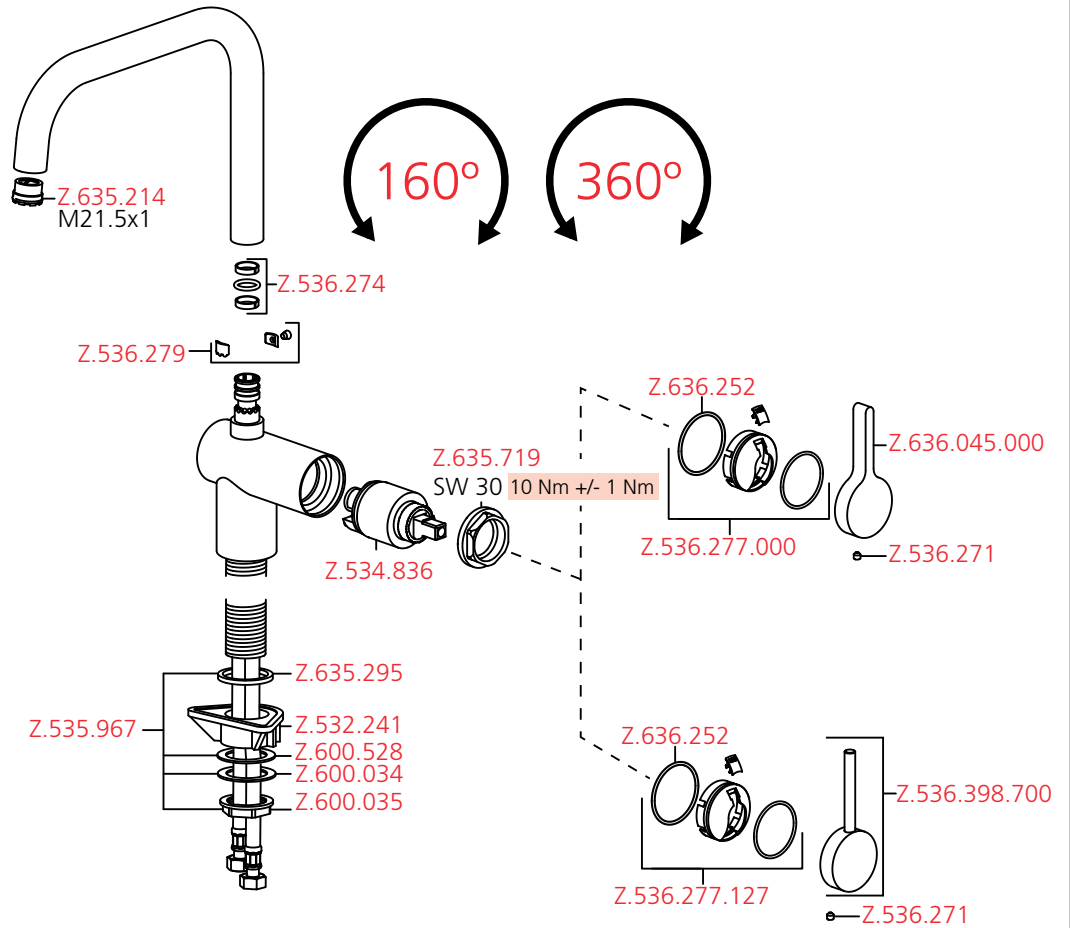
Z.535.681



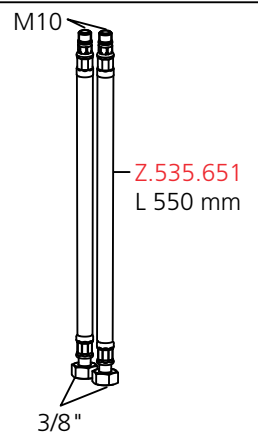
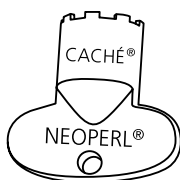
Australian Standard
AS / NZS 3718
Backflow prevention (2x) and
flow regulator in adapter.

Ersatzteile
 Pièces de rechange
 Pezzi di ricambio
 Repuestos
 Spare parts

10.231.013.000
 10.231.013.700

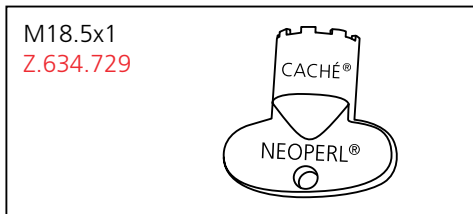
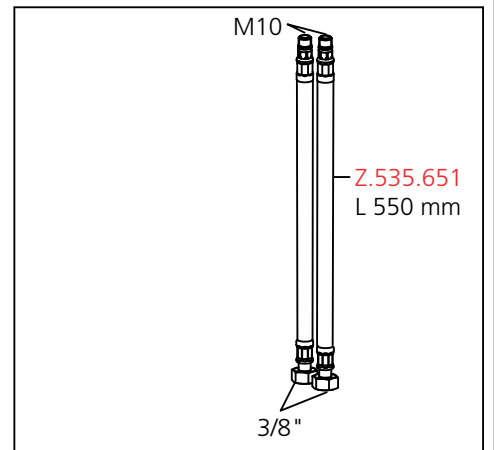
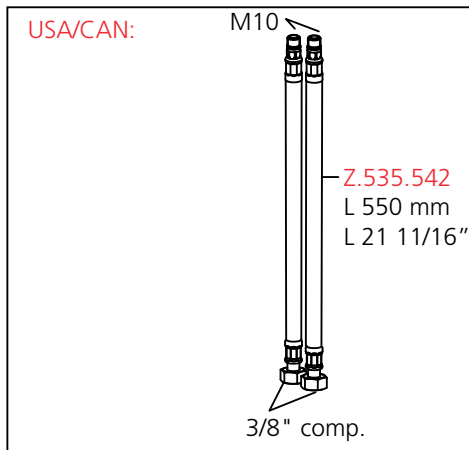
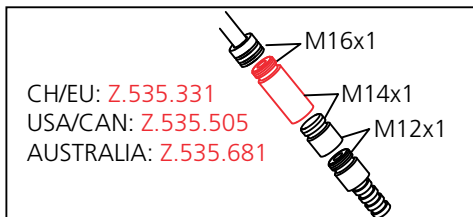
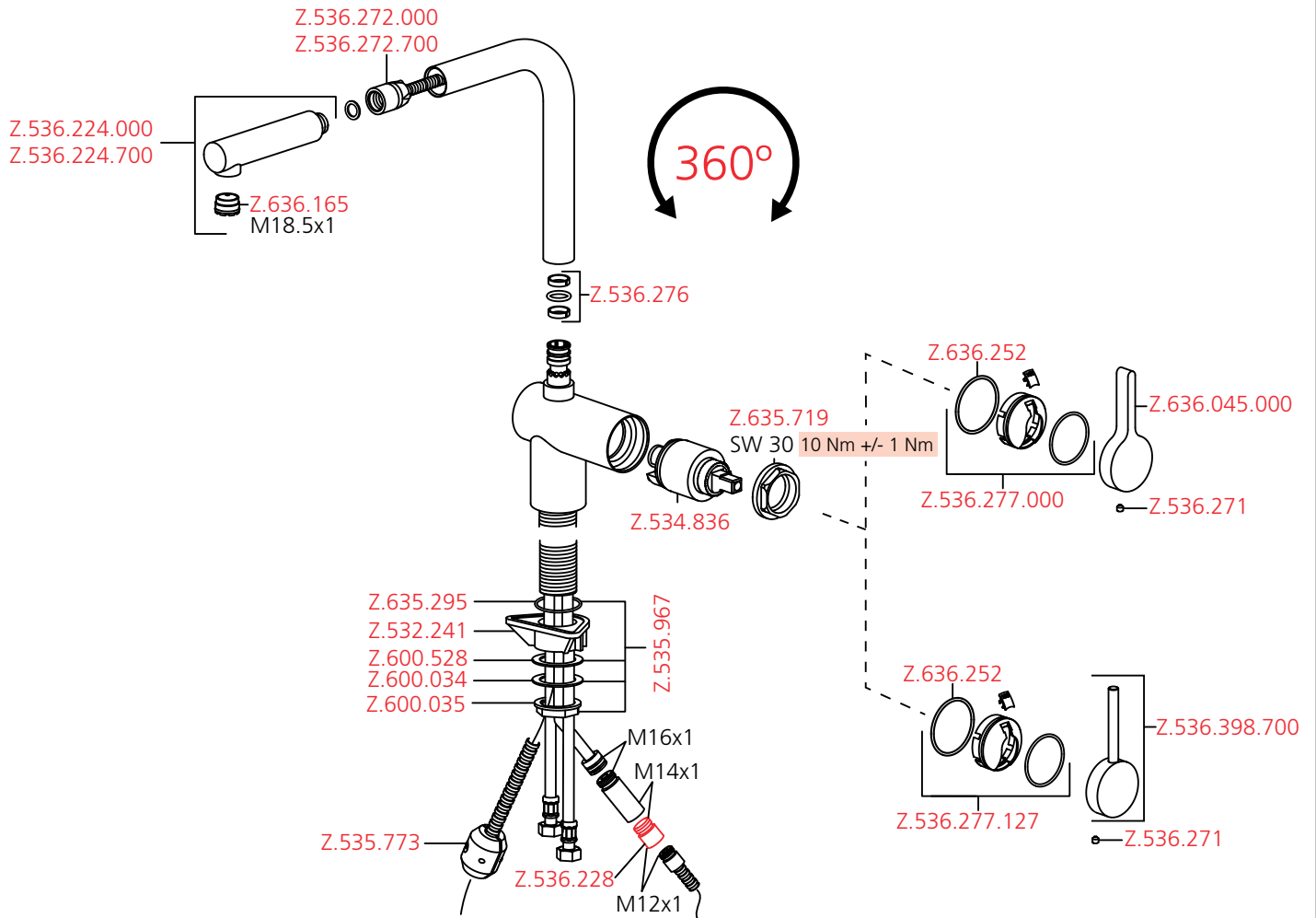


M21.5x1
 Z.635.215



Ersatzteile
 Pièces de rechange
 Pezzi di ricambio
 Repuestos
 Spare parts

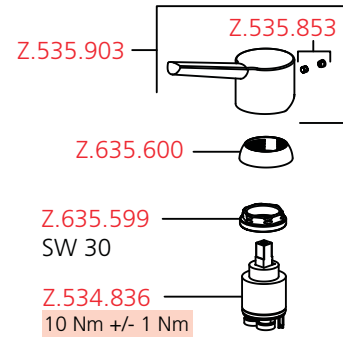
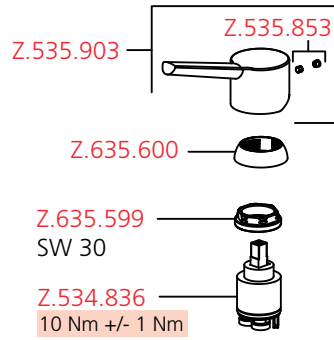
10.231.103.000
 10.231.103.700



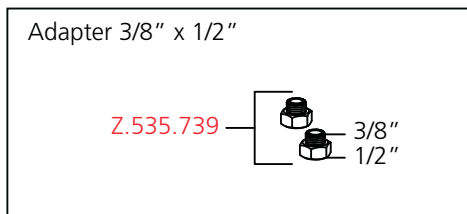
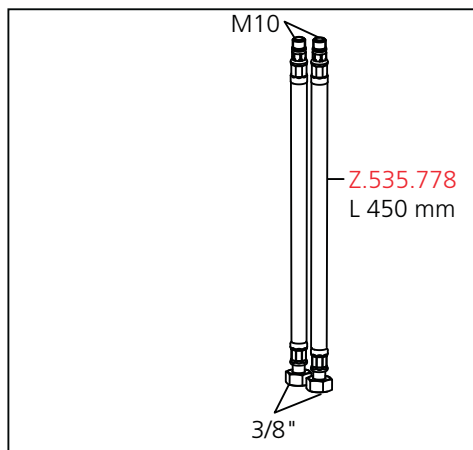
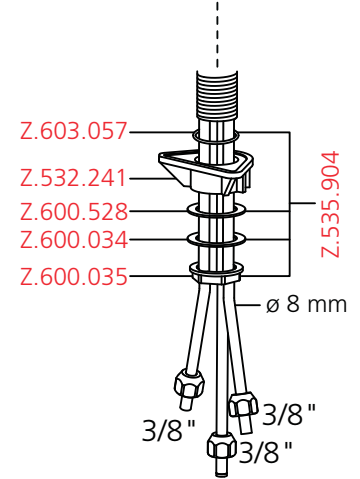
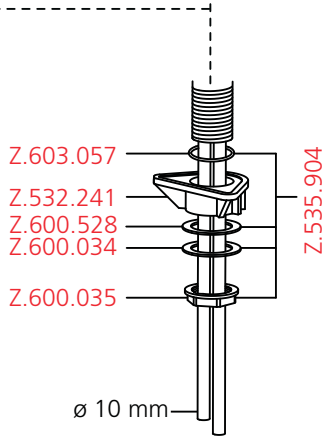
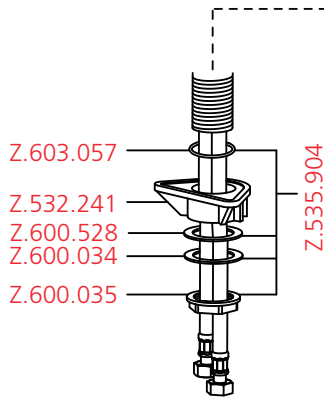
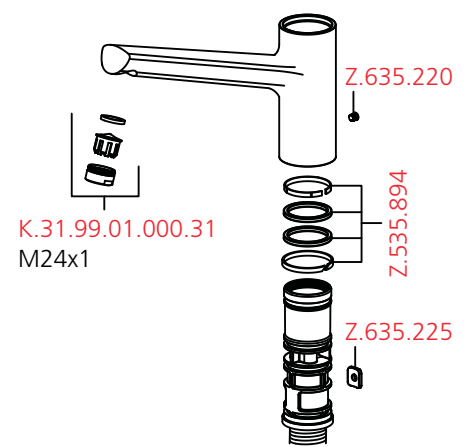
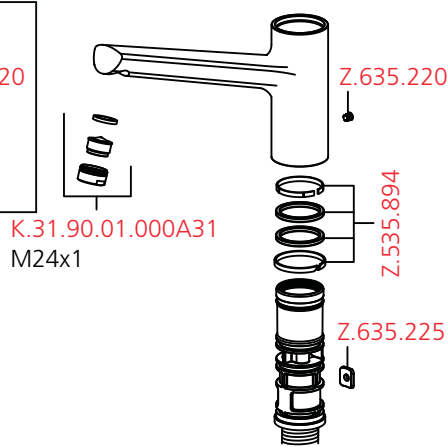
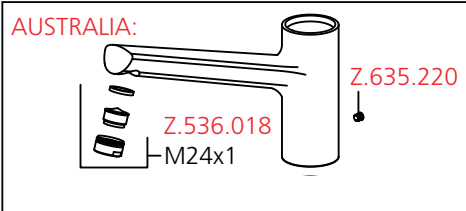
Ersatzteile
 Pièces de rechange
 Pezzi di ricambio
 Repuestos
 Spare parts

10.211.023

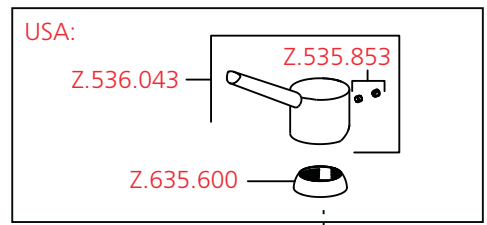
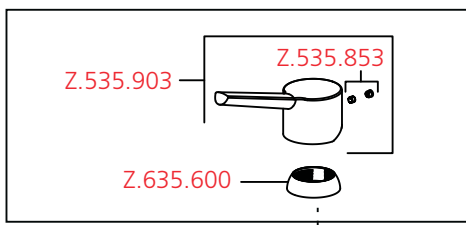
⚡ 10.215.023



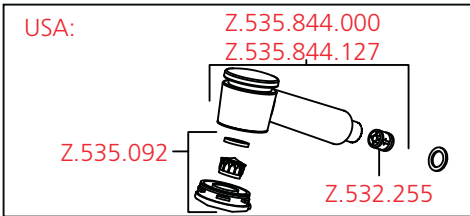
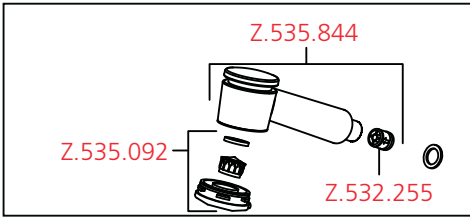
10.211.174



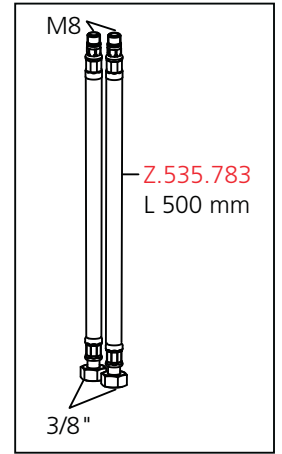
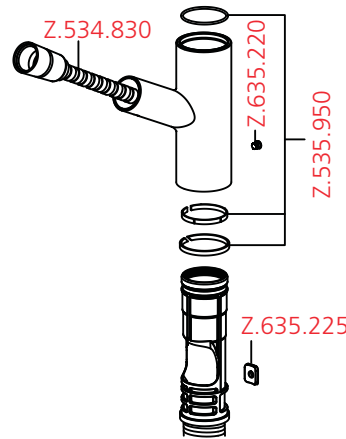
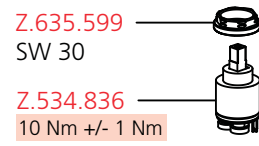
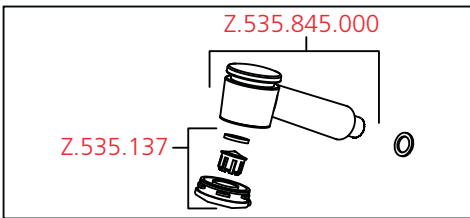
Ersatzteile
Pièces de rechange
Pezzi di ricambio
Repuestos
Spare parts



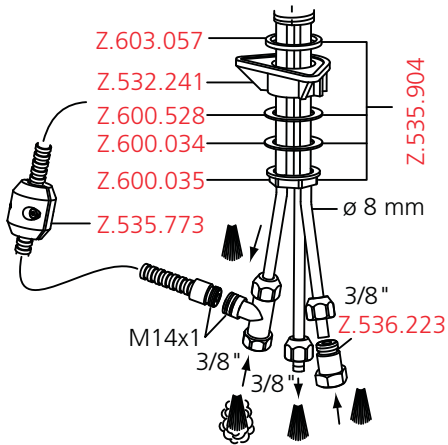
10.211.033



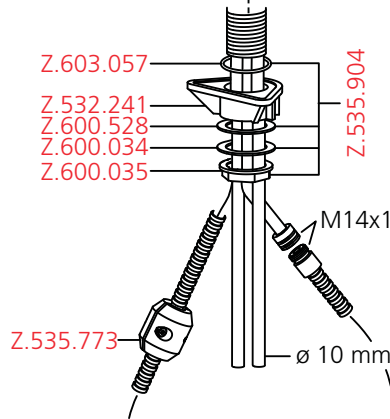
10.215.033



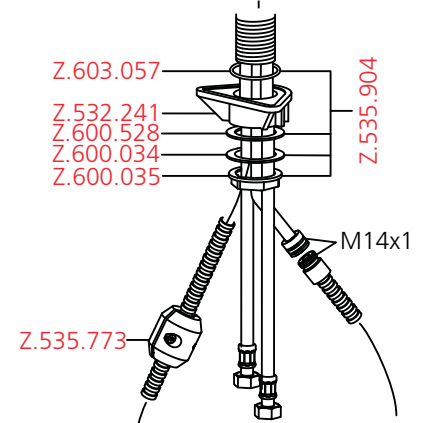
10.215.033



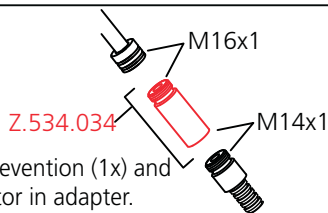
10.211.033



10.211.033

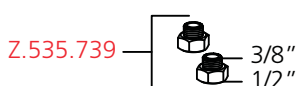


USA/CAN:

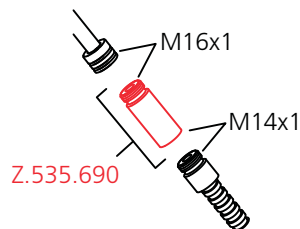


Backflow prevention (1x) and flow regulator in adapter.

Adapter 3/8" x 1/2"

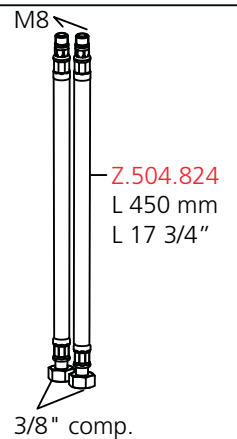


AUSTRALIA:



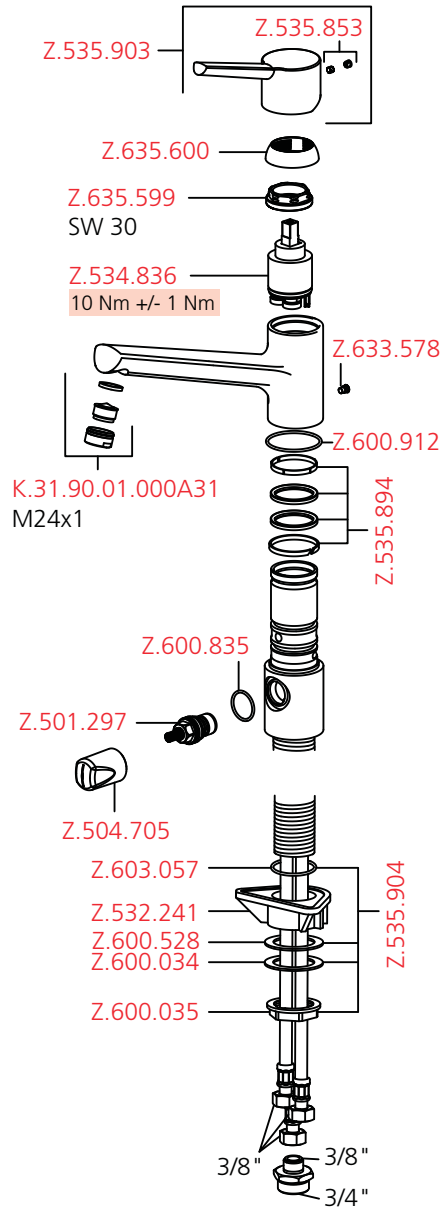
Australian Standard AS / NZS 3718
Backflow prevention (2x) and flow regulator in adapter.

USA/CAN:

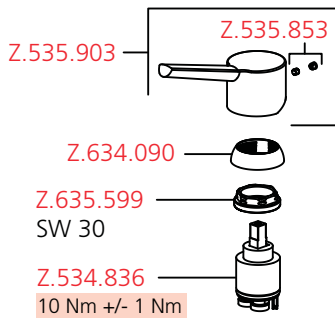


Ersatzteile
 Pièces de rechange
 Pezzi di ricambio
 Repuestos
 Spare parts

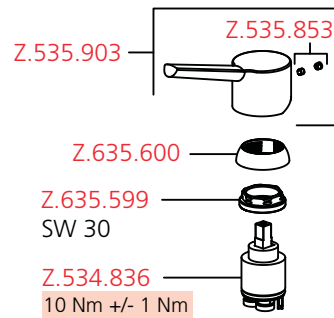
10.211.063



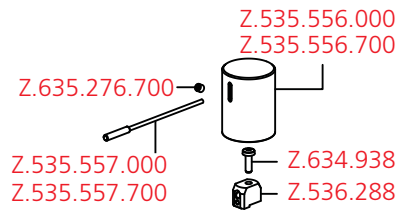
04 - 12/2008



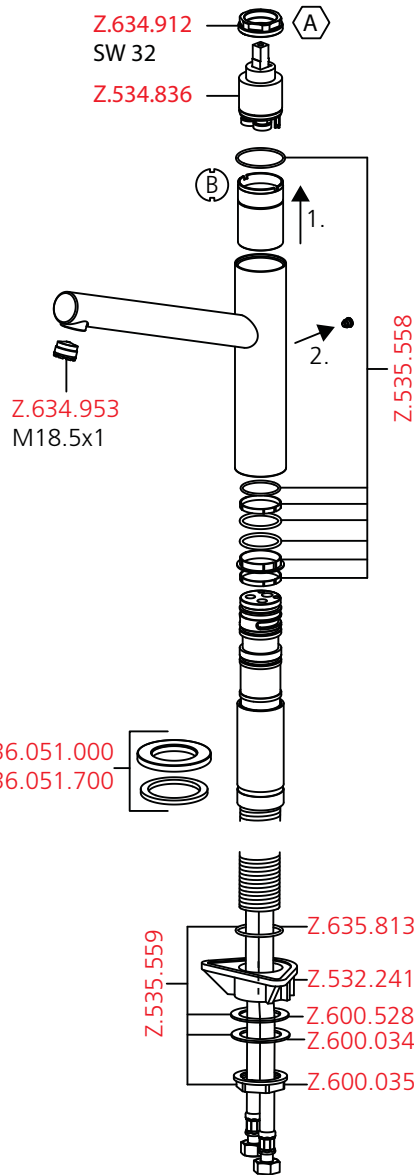
12/2008-



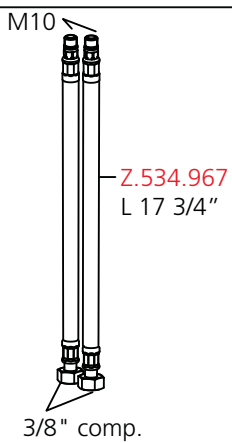
Ersatzteile
 Pièces de rechange
 Pezzi di ricambio
 Repuestos
 Spare parts



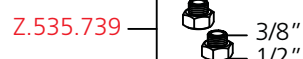
10.151.023.000
 10.151.023.700



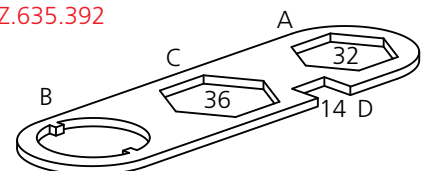
USA/CAN:



Adapter 3/8" x 1/2"

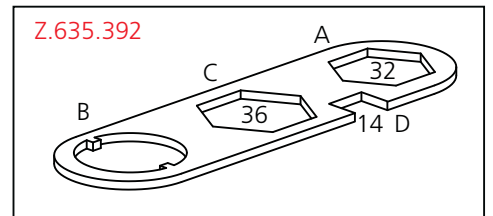
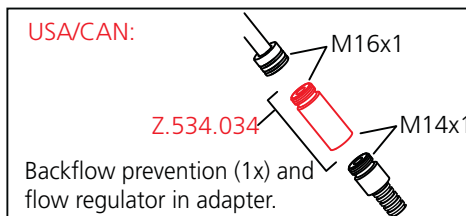
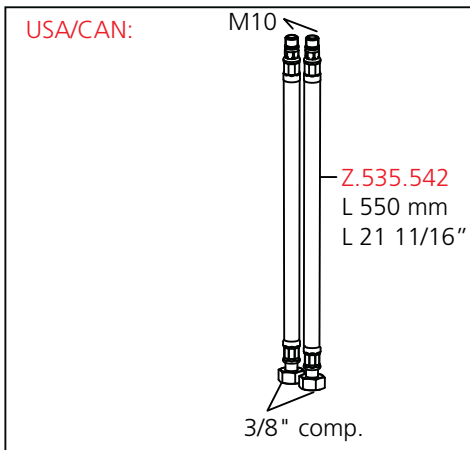
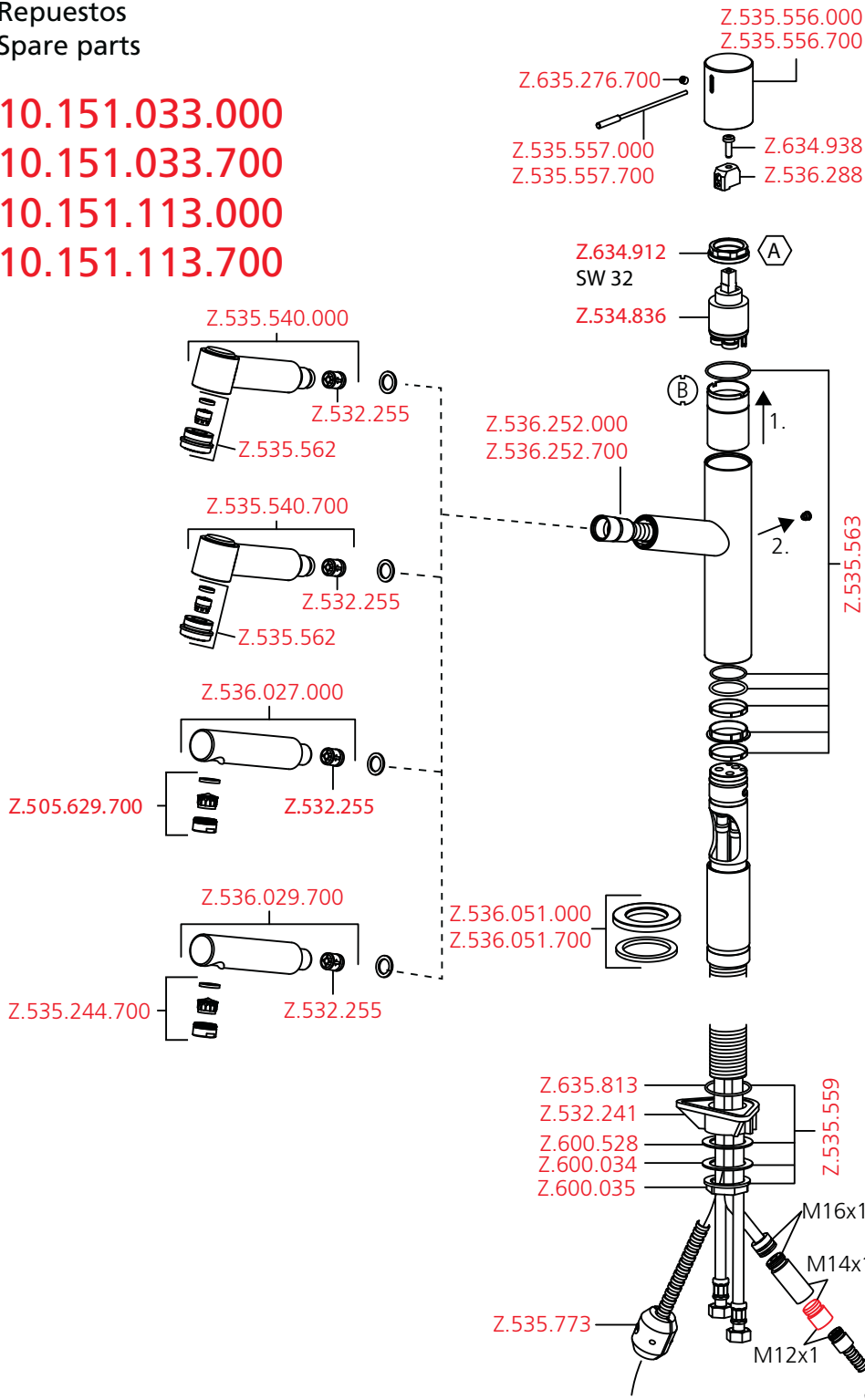


Z.635.392



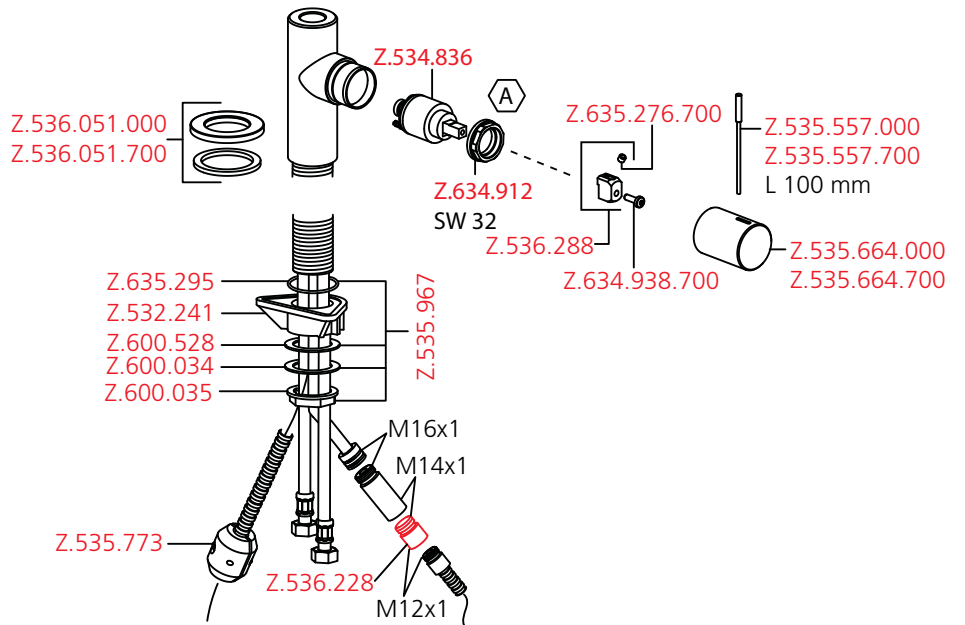
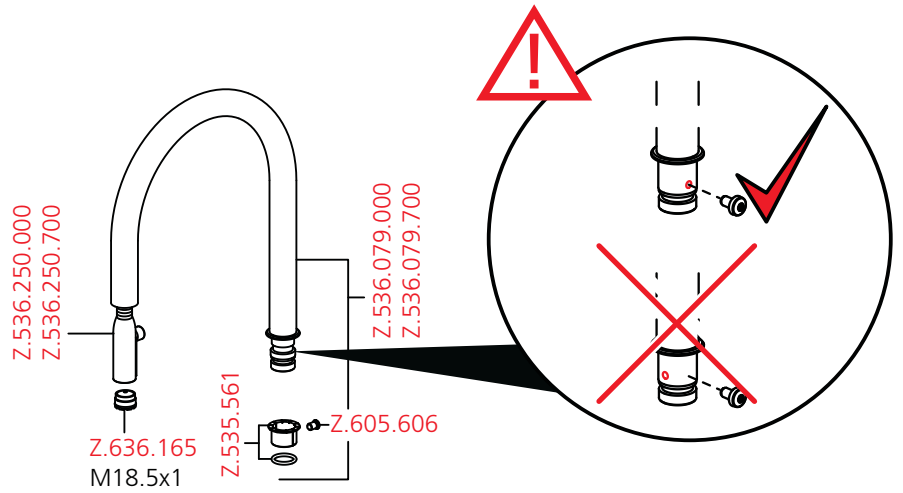
Ersatzteile
 Pièces de rechange
 Pezzi di ricambio
 Repuestos
 Spare parts

10.151.033.000
 10.151.033.700
 10.151.113.000
 10.151.113.700




Ersatzteile
 Pièces de rechange
 Pezzi di ricambio
 Repuestos
 Spare parts

10.151.102.000
 10.151.102.700




optional



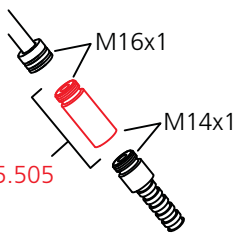
Z.535.995.000
 L 70 mm

optional



Z.535.995.700
 L 70 mm

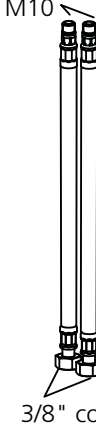
USA/CAN:



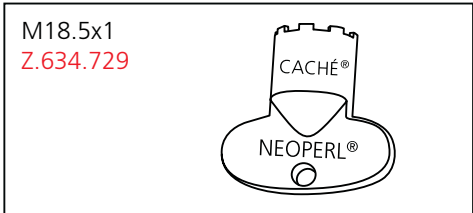
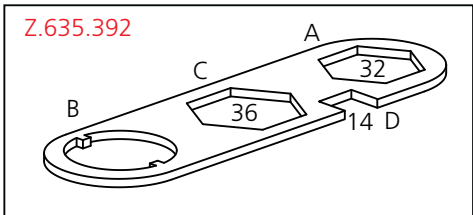
Z.535.505
 M16x1
 M14x1

Backflow prevention (2x) and
 flow regulator in adapter.

USA/CAN:



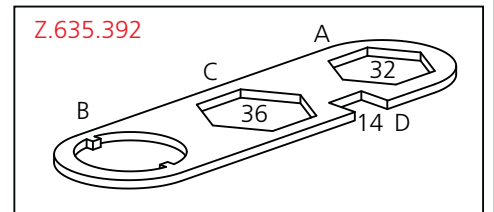
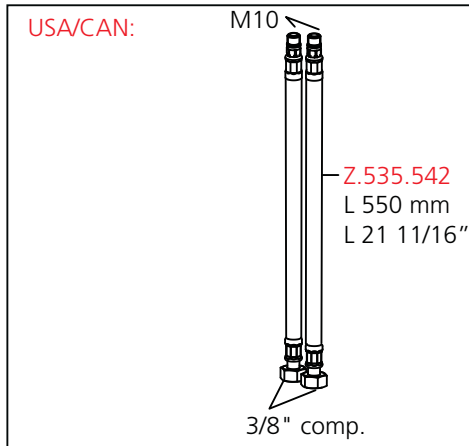
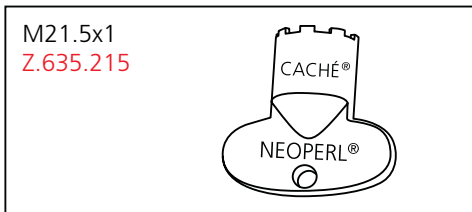
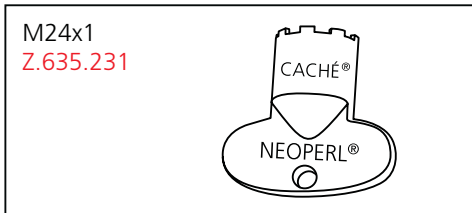
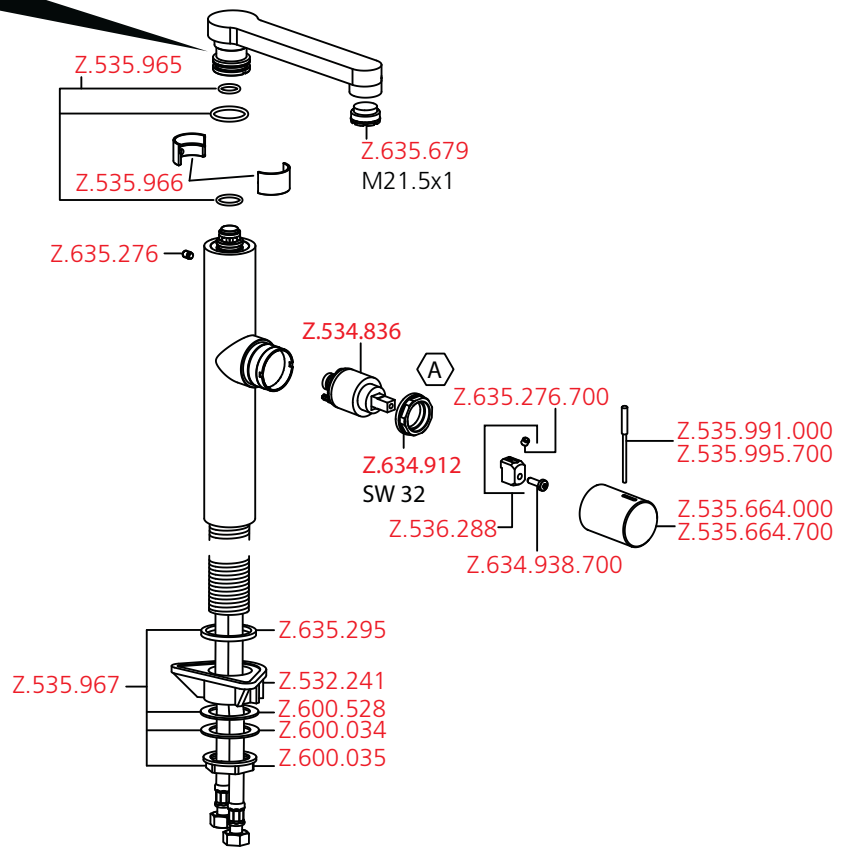
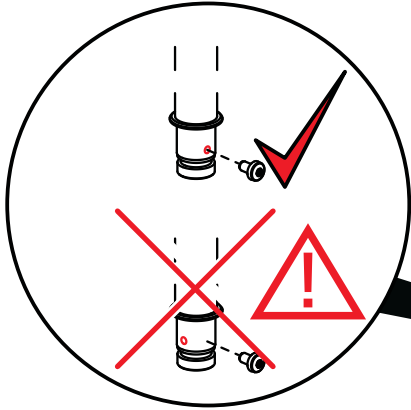
M10
 Z.534.967
 L 17 3/4"
 3/8" comp.



Ersatzteile
 Pièces de rechange
 Pezzi di ricambio
 Repuestos
 Spare parts

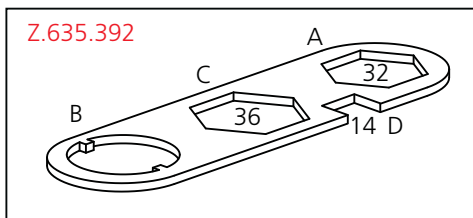
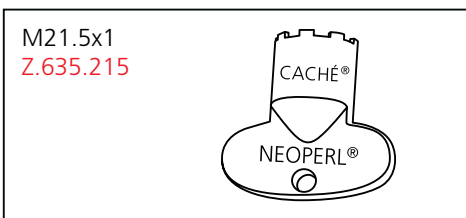
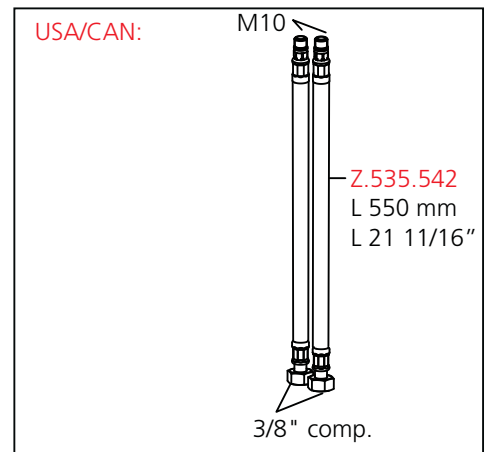
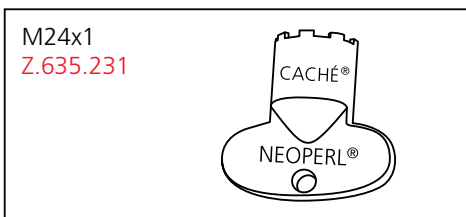
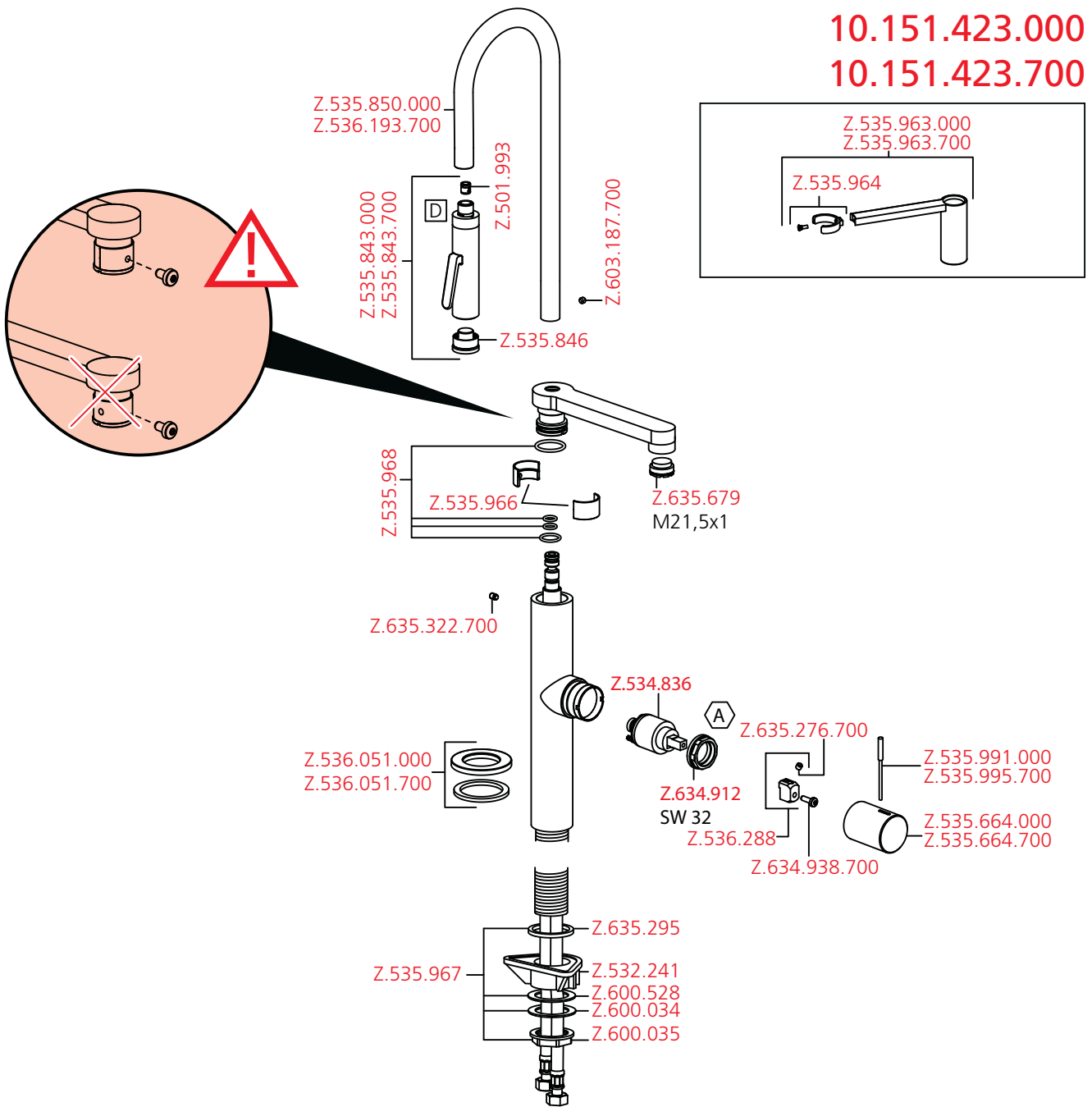
10.151.413.000

10.151.413.700



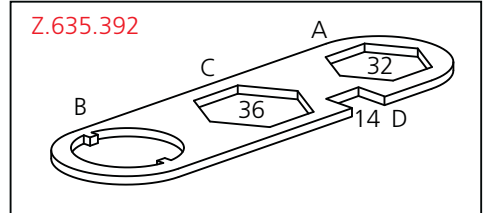
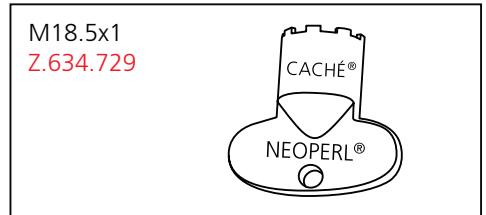
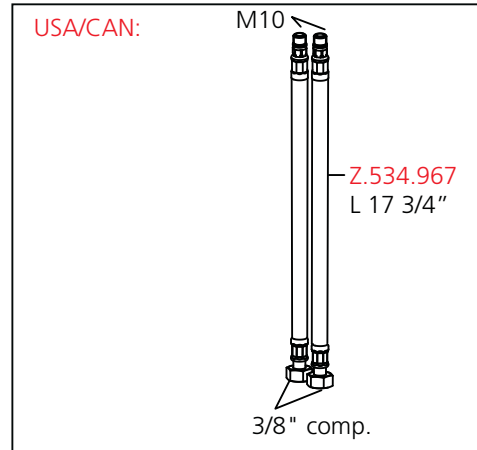
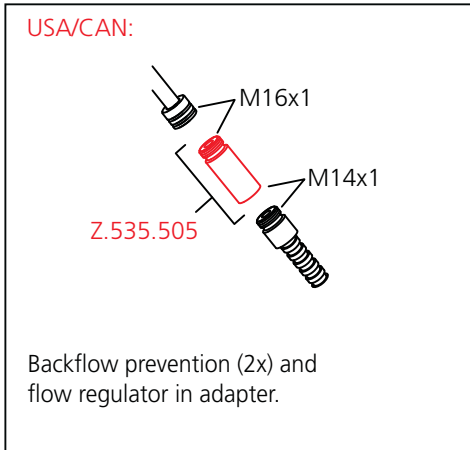
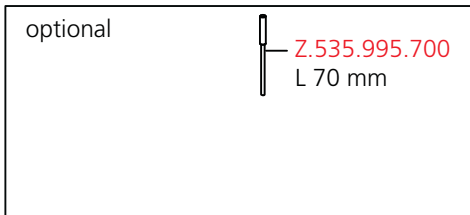
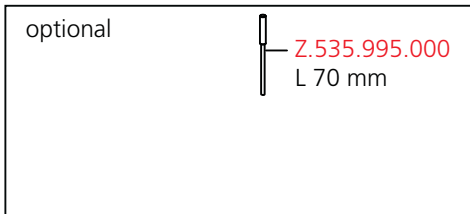
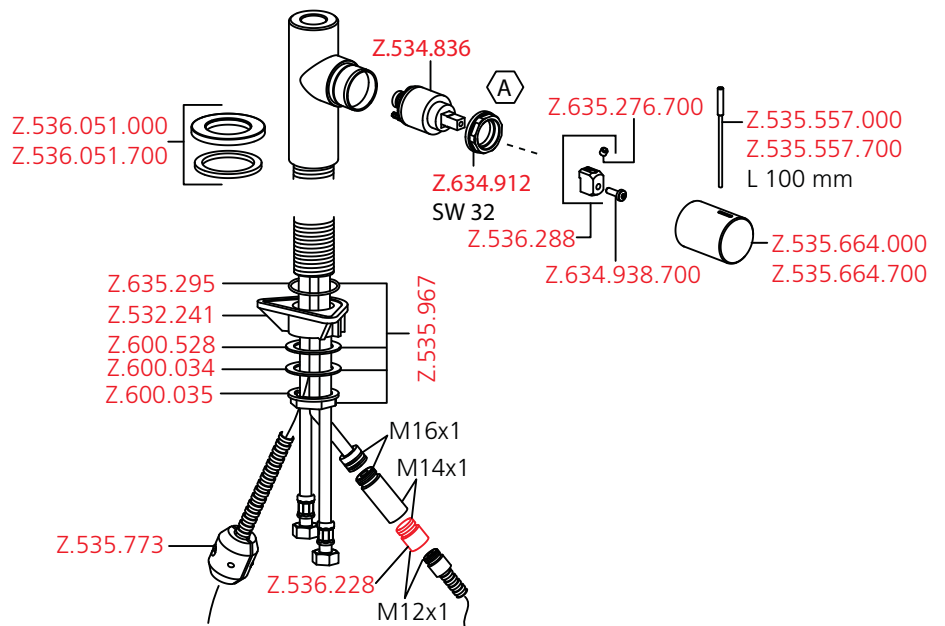
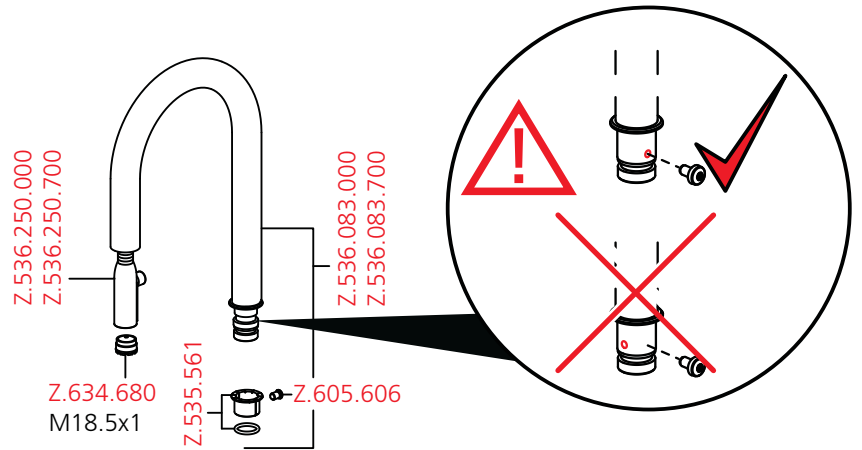
Ersatzteile
 Pièces de rechange
 Pezzi di ricambio
 Repuestos
 Spare parts

10.151.423.000
 10.151.423.700



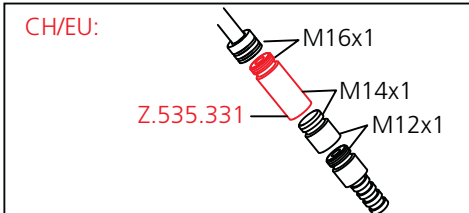
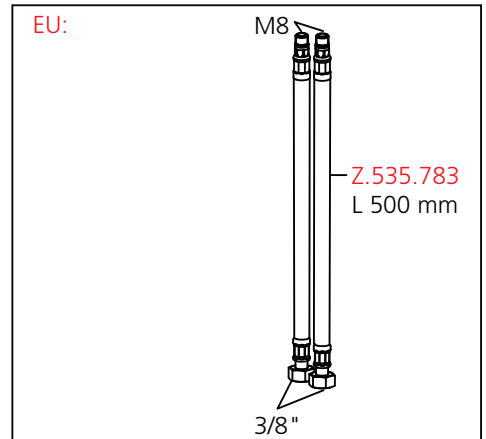
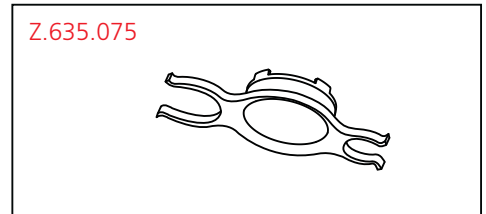
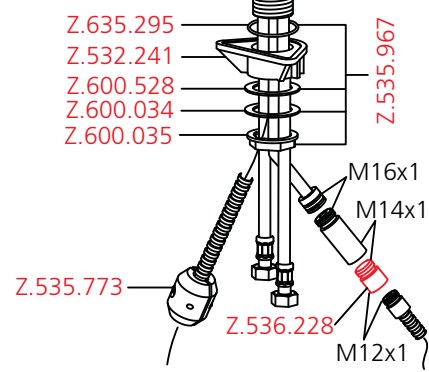
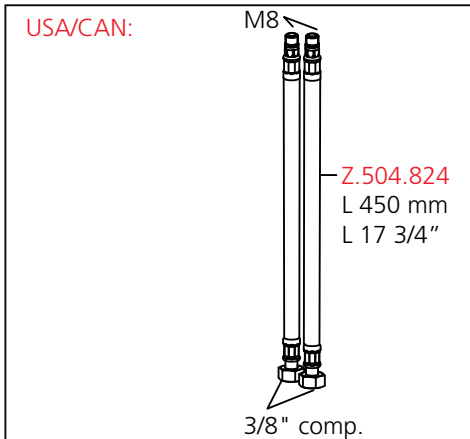
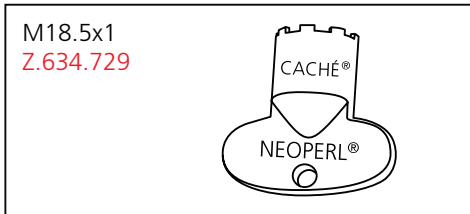
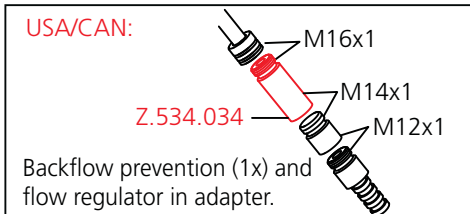
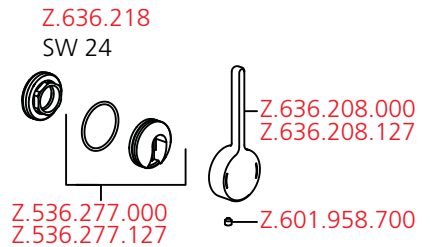
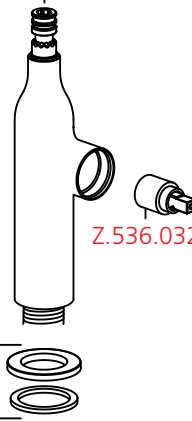
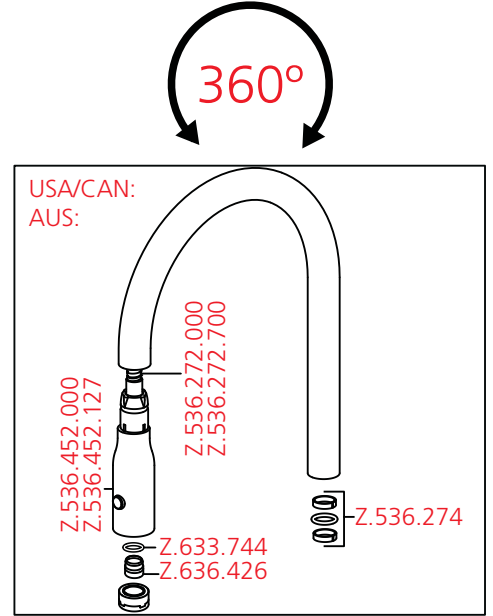
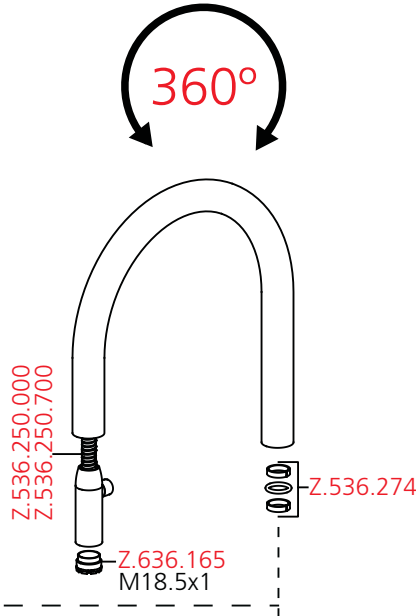
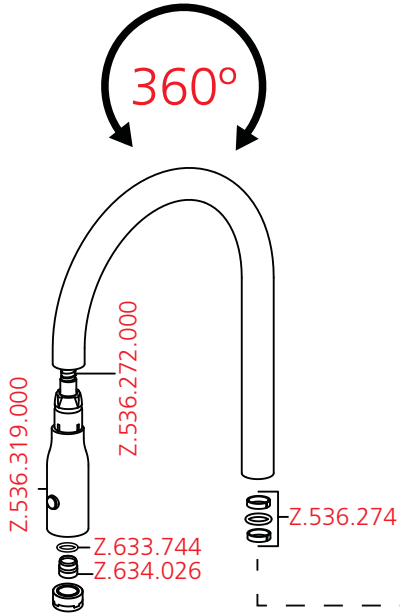
Ersatzteile
Pièces de rechange
Pezzi di ricambio
Repuestos
Spare parts

10.151.991.000
10.151.991.700



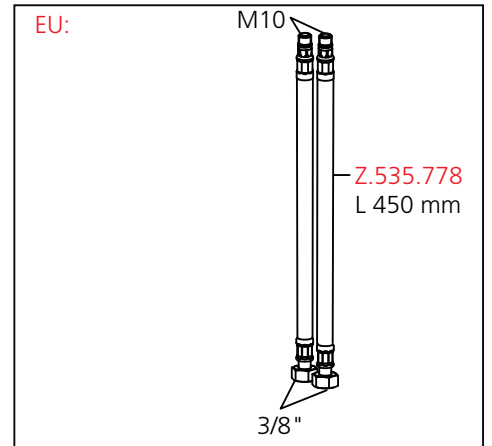
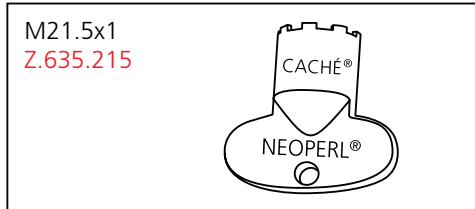
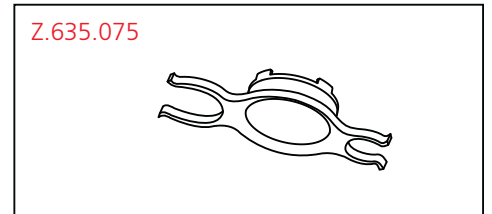
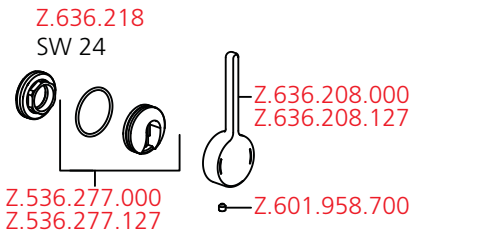
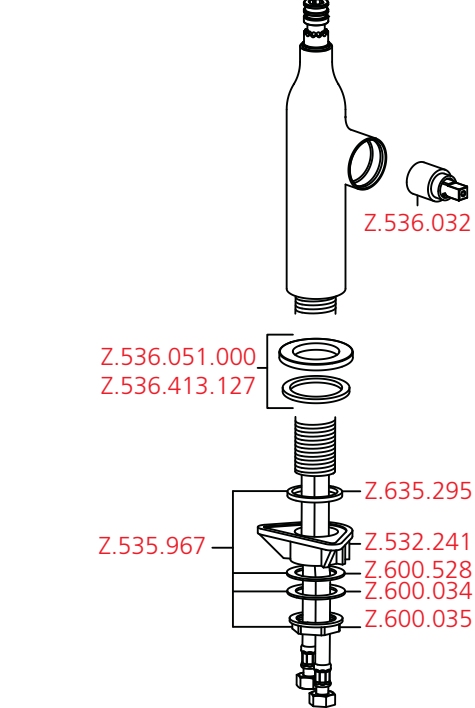
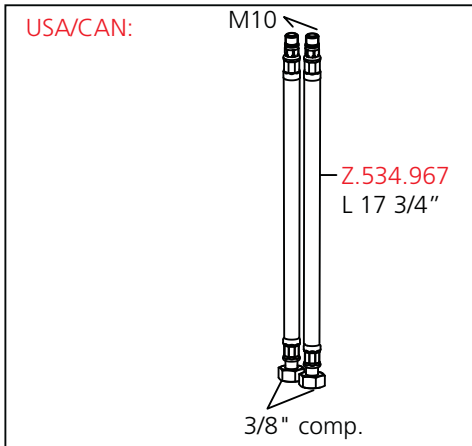
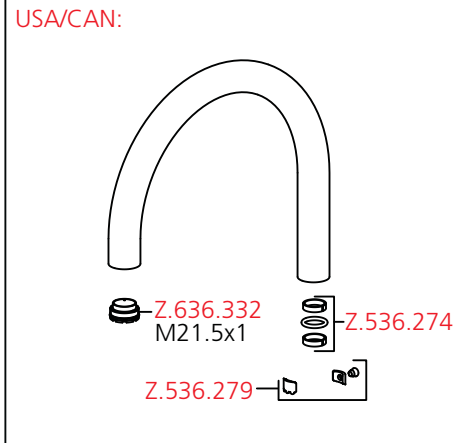
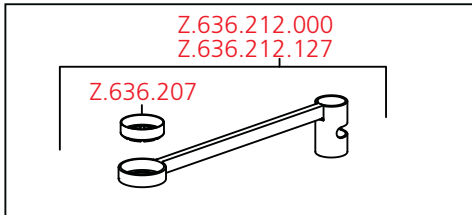
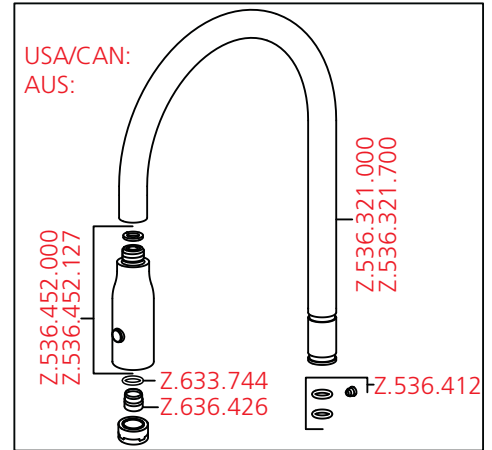
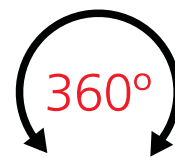
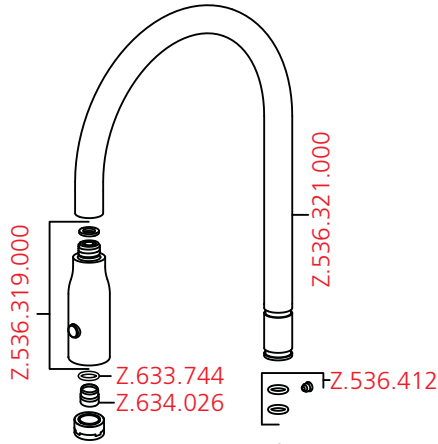
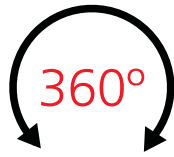
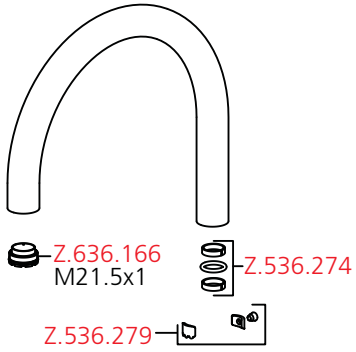
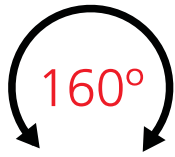
Ersatzteile
 Pièces de rechange
 Pezzi di ricambio
 Repuestos
 Spare parts

10.261.002.xxx
 10.261.102.xxx



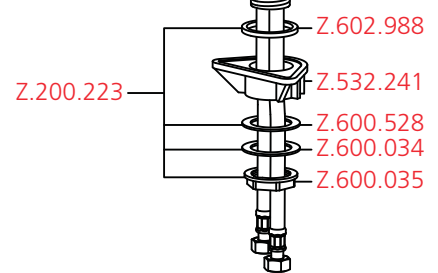
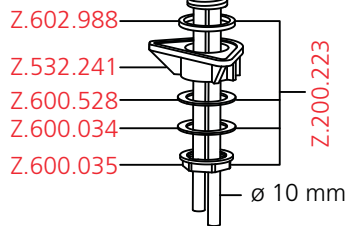
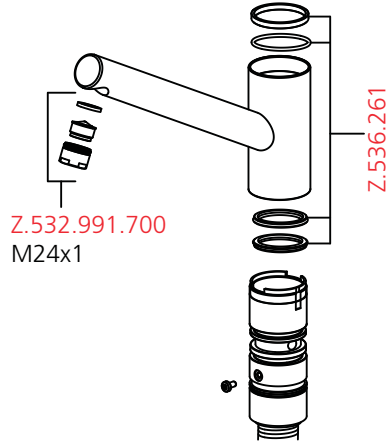
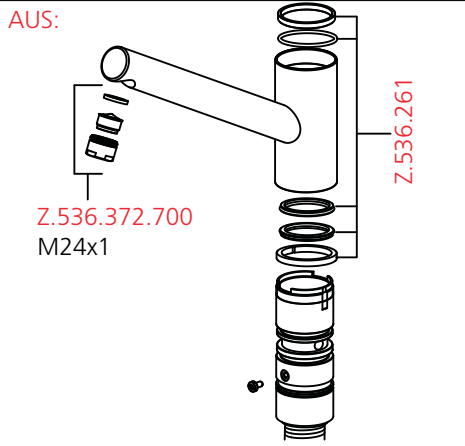
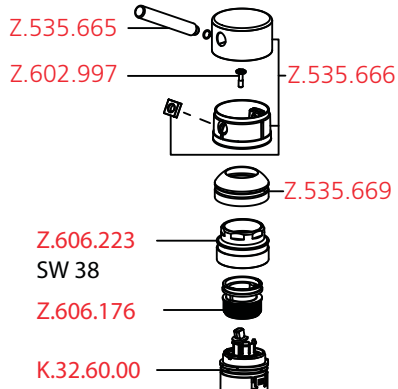
Ersatzteile
 Pièces de rechange
 Pezzi di ricambio
 Repuestos
 Spare parts

10.261.012.xxx
 10.261.432.xxx

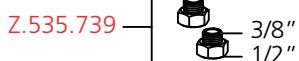


Ersatzteile
 Pièces de rechange
 Pezzi di ricambio
 Repuestos
 Spare parts

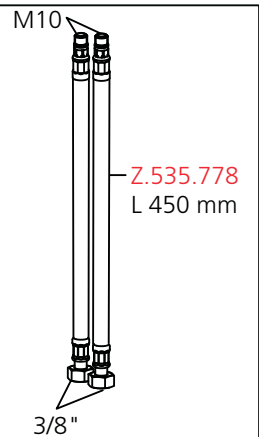
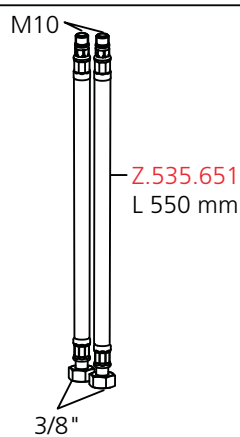
10.271.023.700



Adapter 3/8" x 1/2"

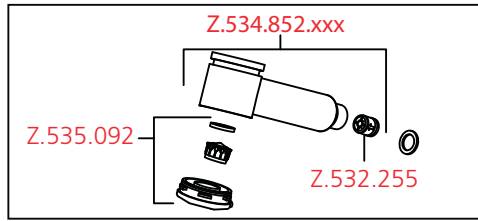


AUS:

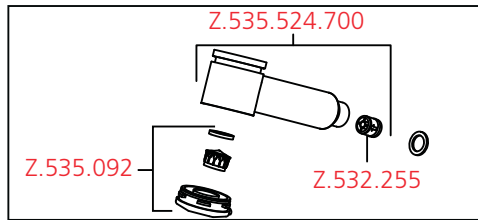


Ersatzteile
Pièces de rechange
Pezzi di ricambio
Repuestos
Spare parts

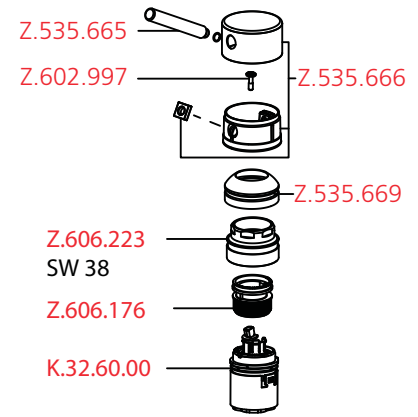
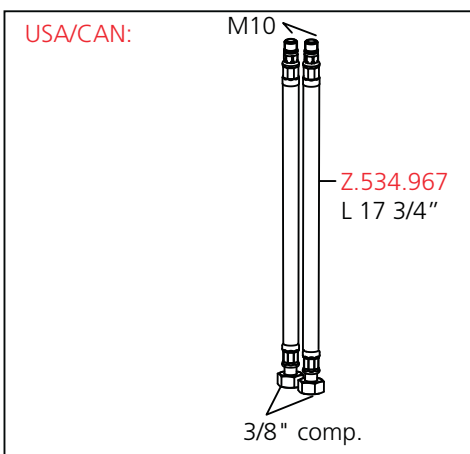
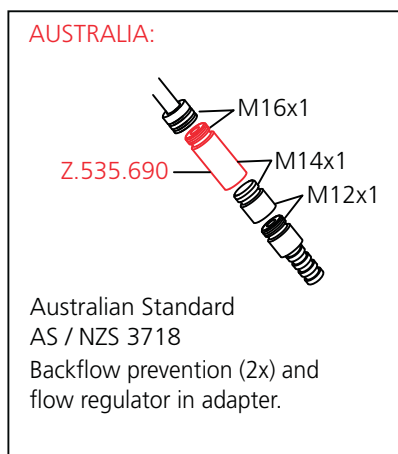
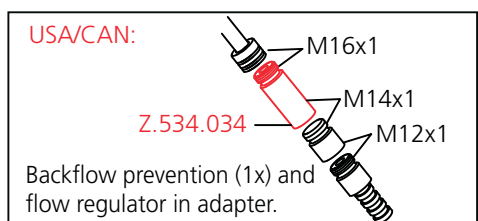
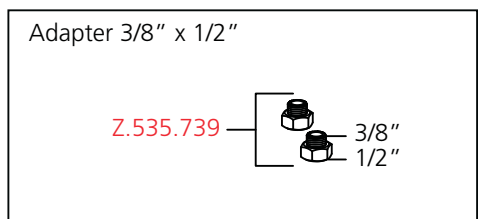
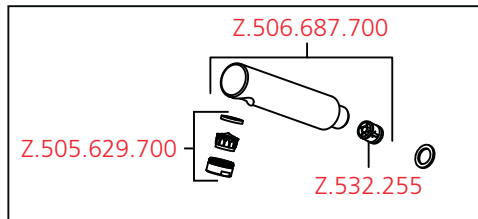
10.271.033.736



10.271.033.700
10.271.333.700

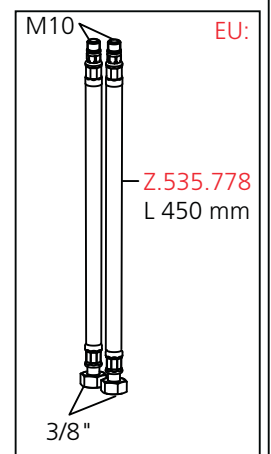
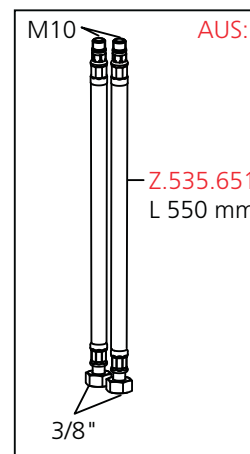
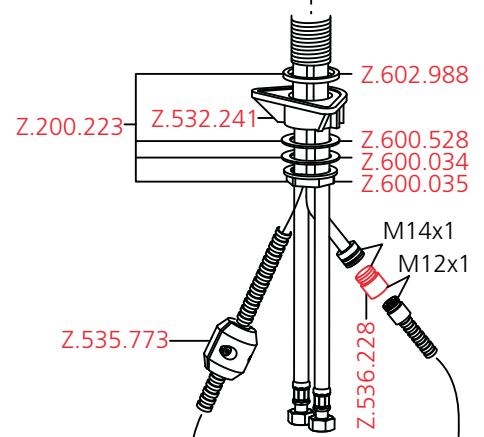
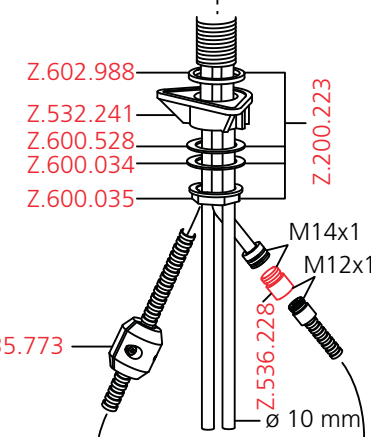
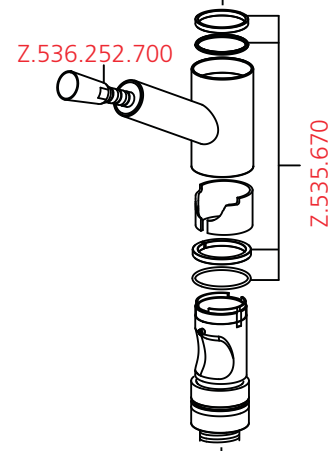
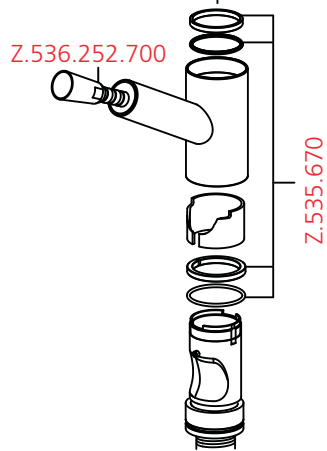


10.271.103.700
10.271.303.700

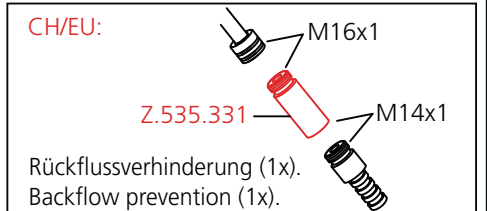
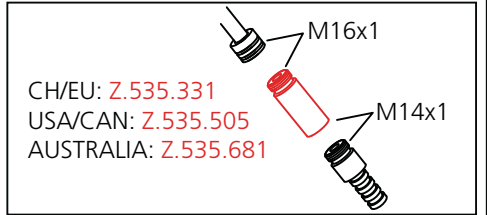
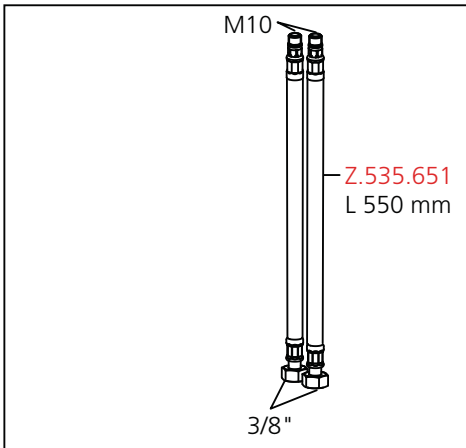
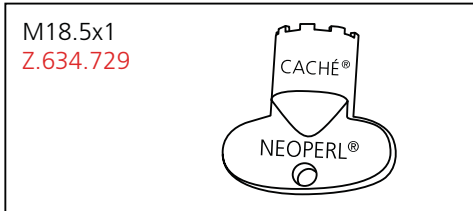
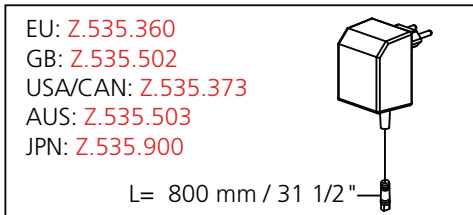
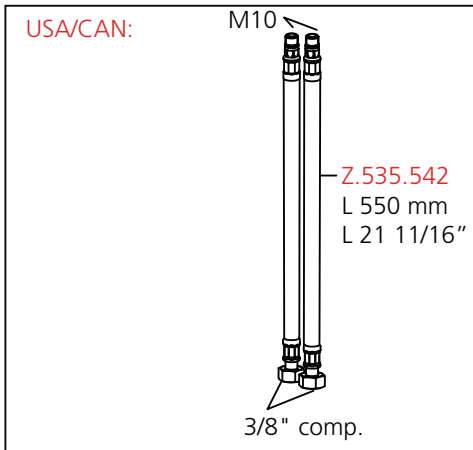
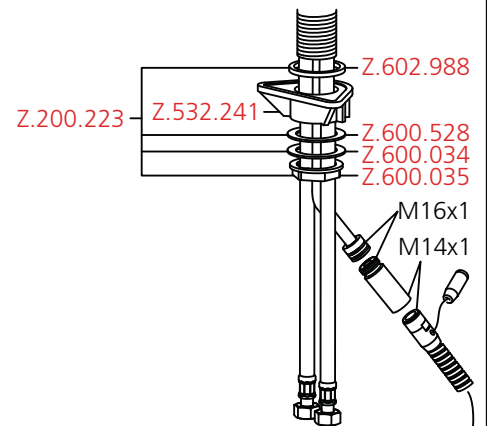
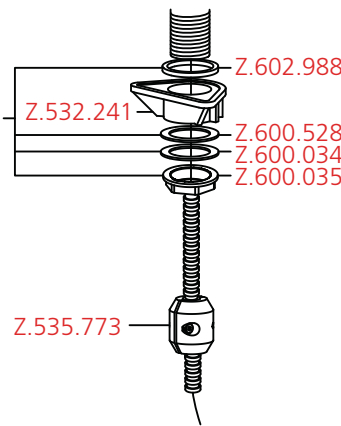
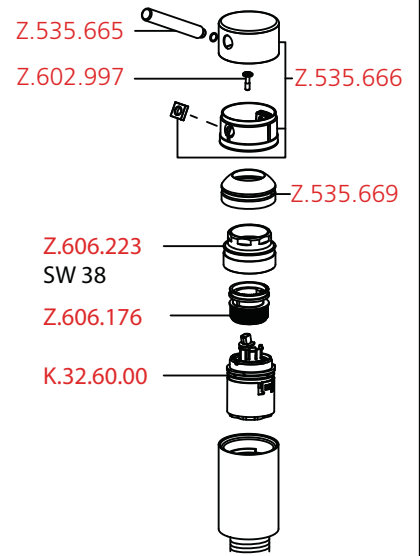
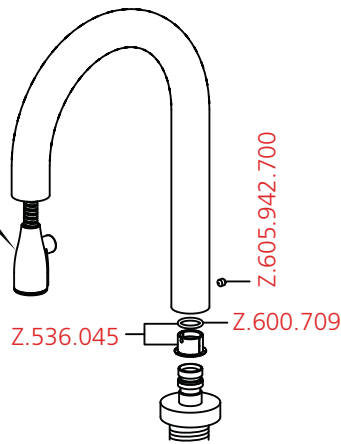
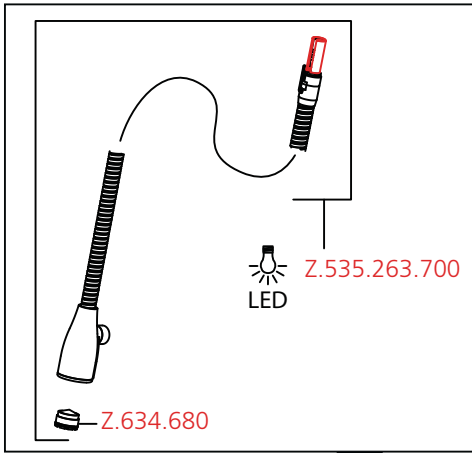


10.271.303.700
10.271.333.700 (USA only)

10.271.033.700
10.271.033.700
10.271.103.700

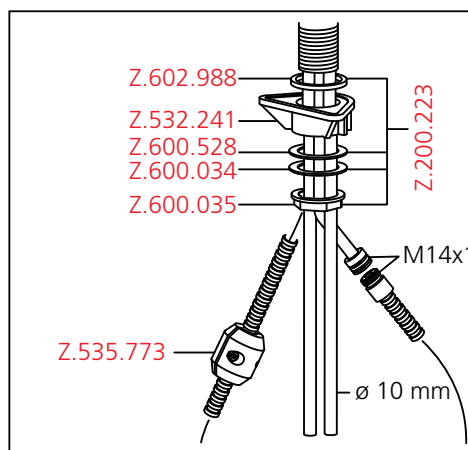
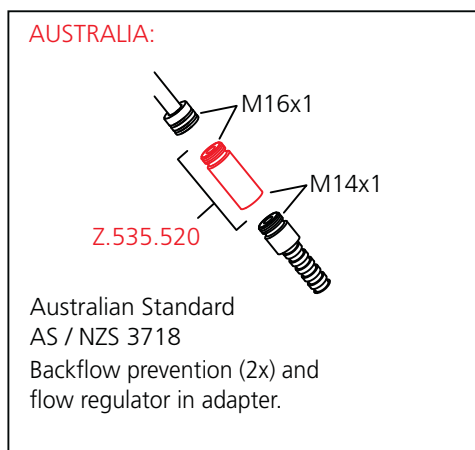
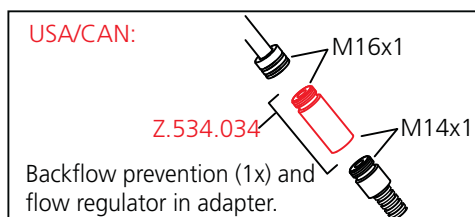
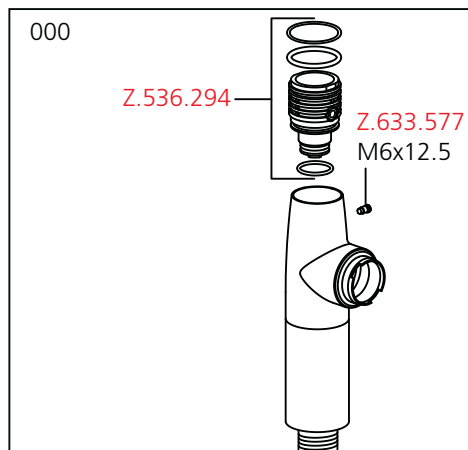
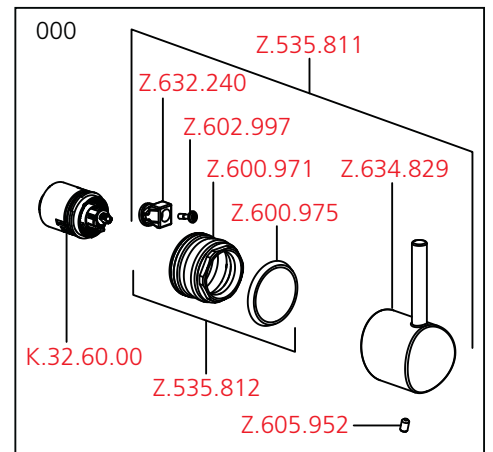
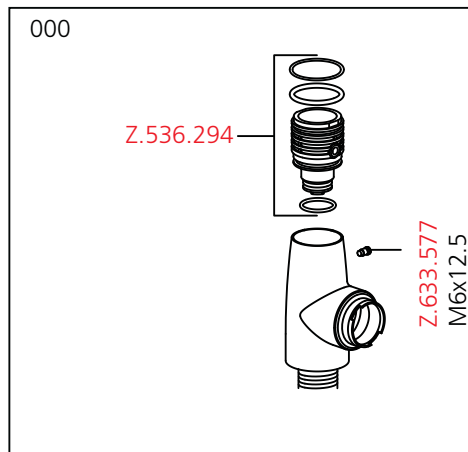
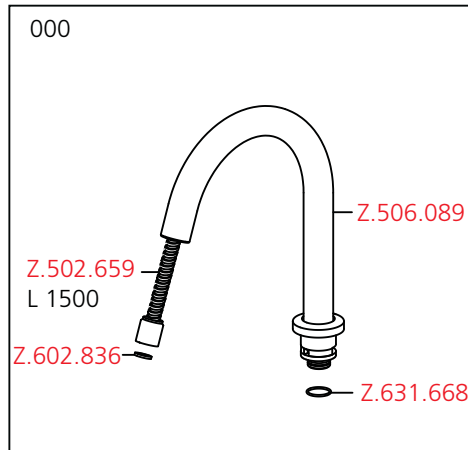
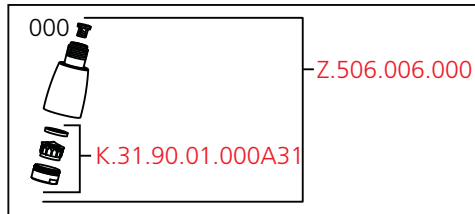


Ersatzteile
 Pièces de rechange
 Pezzi di ricambio
 Repuestos
 Spare parts



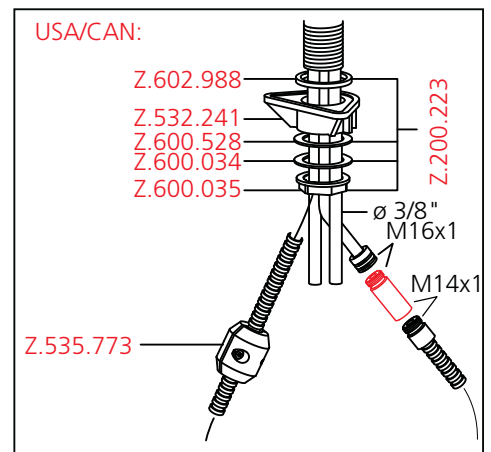
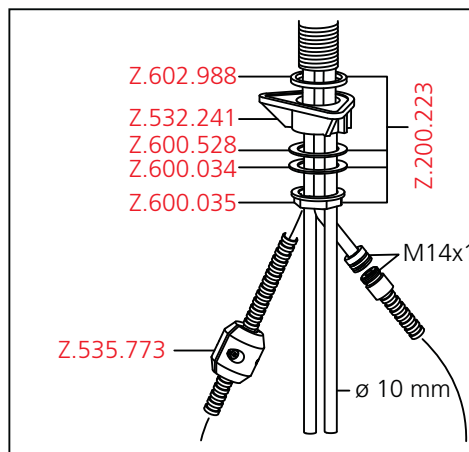
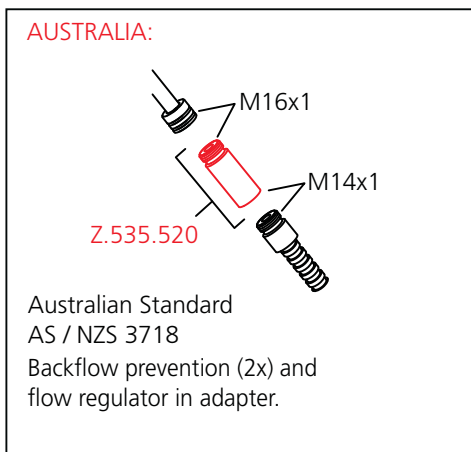
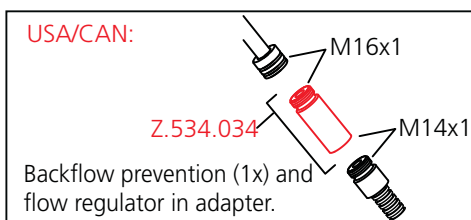
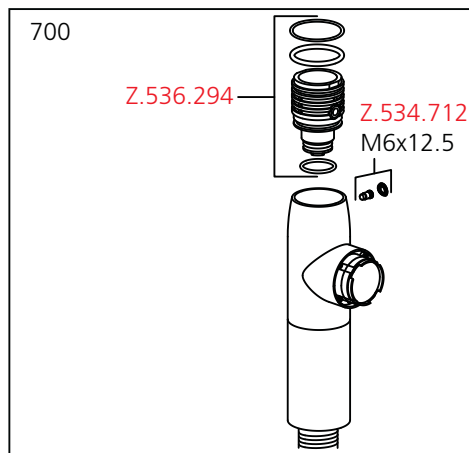
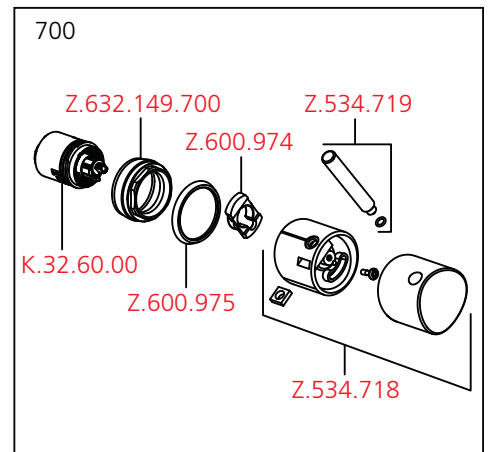
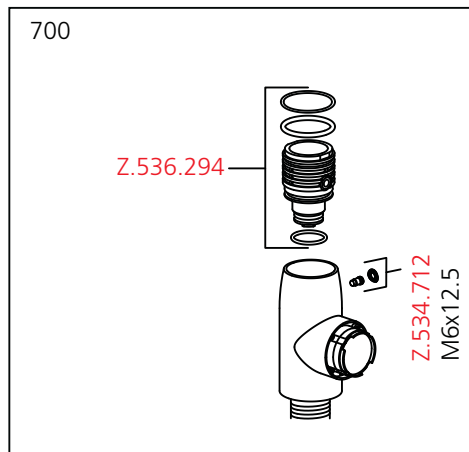
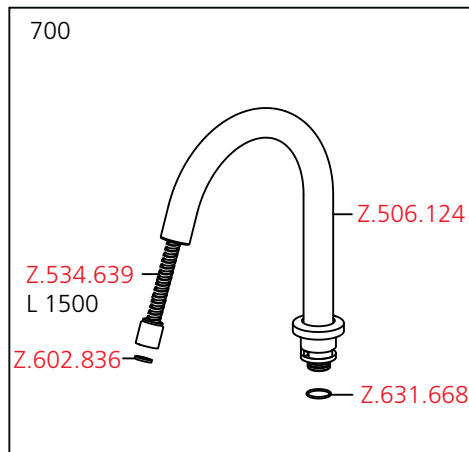
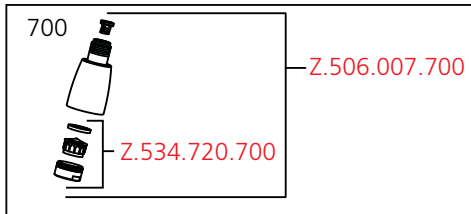
Ersatzteile
 Pièces de rechange
 Pezzi di ricambio
 Repuestos
 Spare parts

10.501.042.000
 10.501.102.000



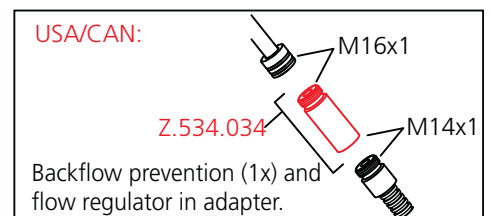
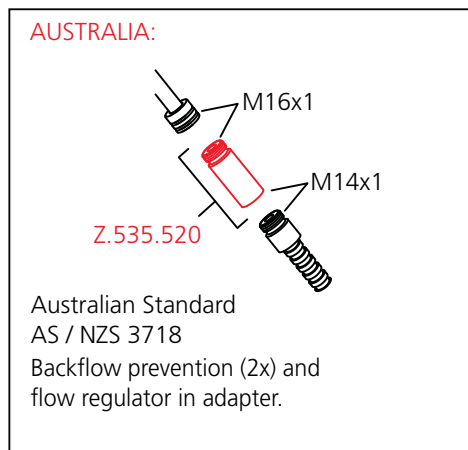
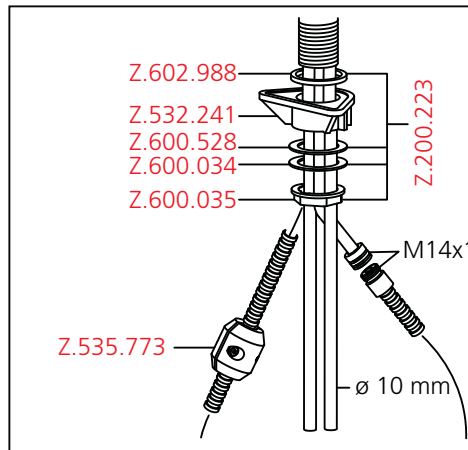
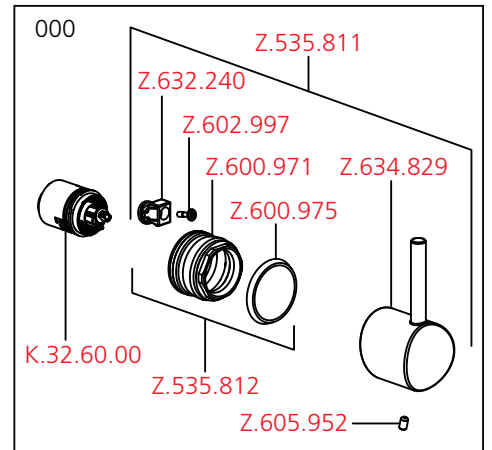
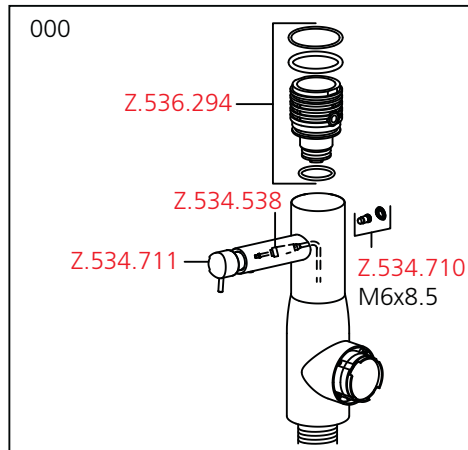
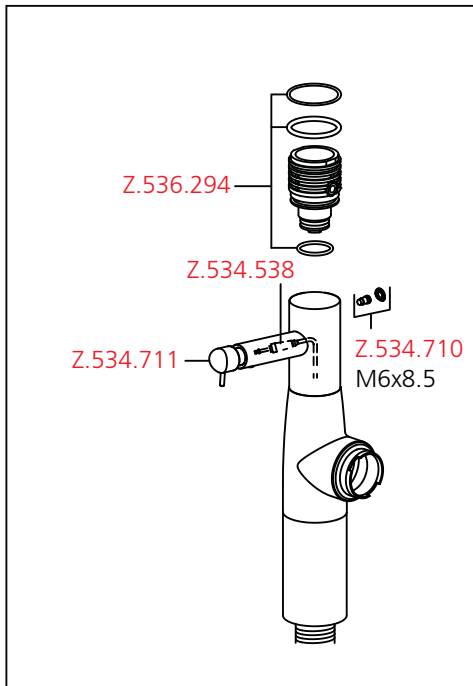
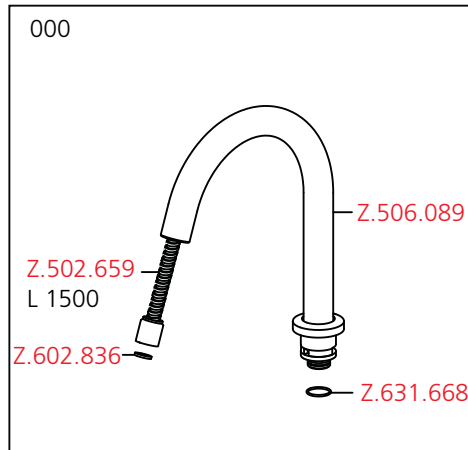
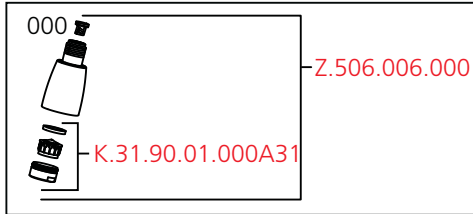
Ersatzteile
Pièces de rechange
Pezzi di ricambio
Repuestos
Spare parts

10.501.042.700
10.501.102.700

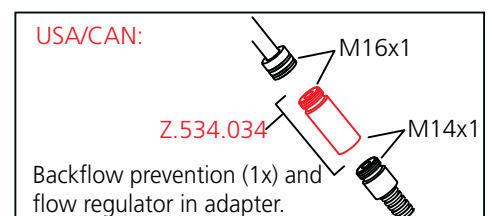
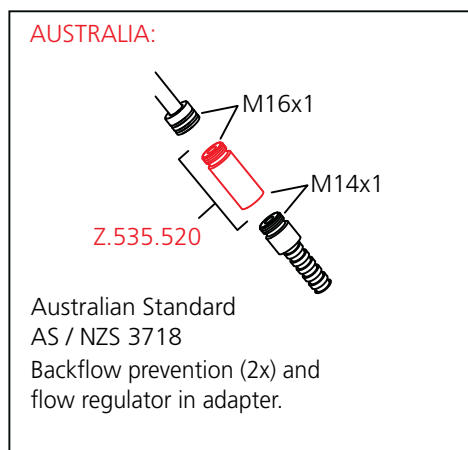
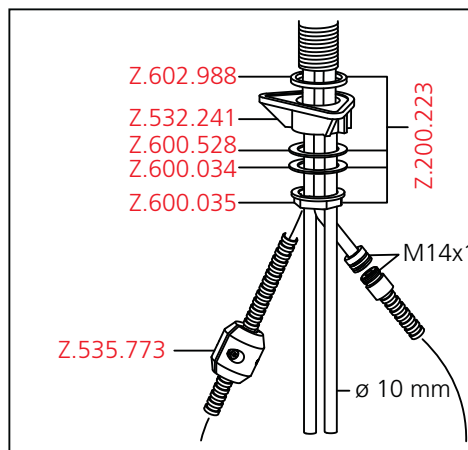
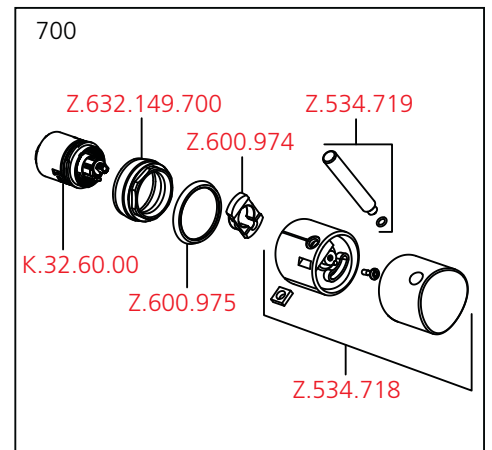
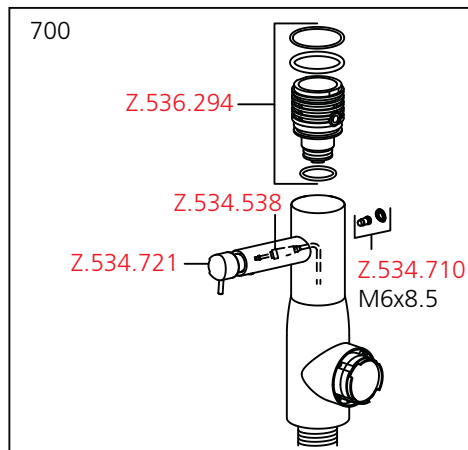
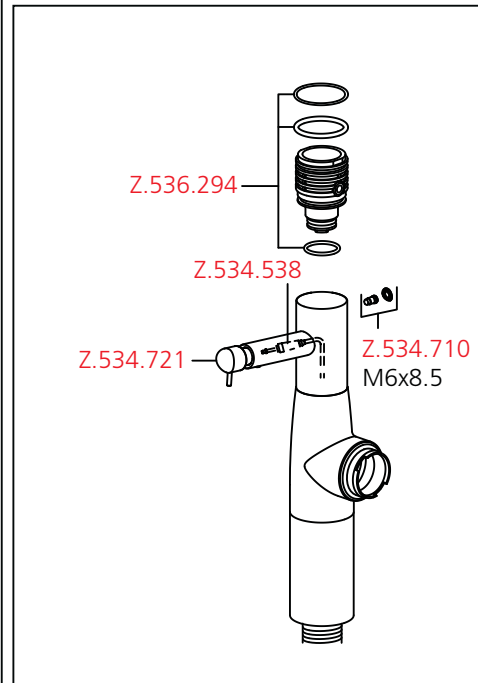
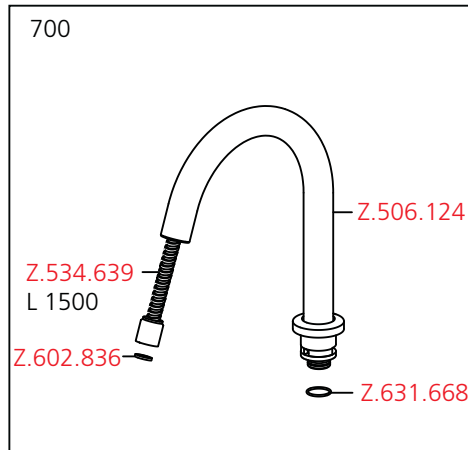
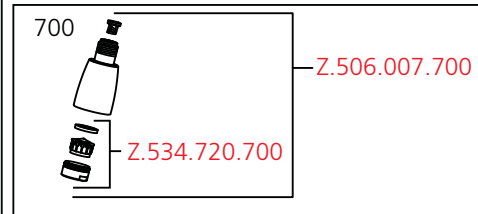


Ersatzteile
 Pièces de rechange
 Pezzi di ricambio
 Repuestos
 Spare parts

10.501.122.000
 10.501.112.000

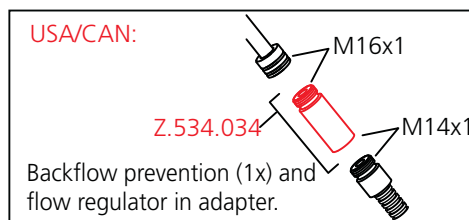
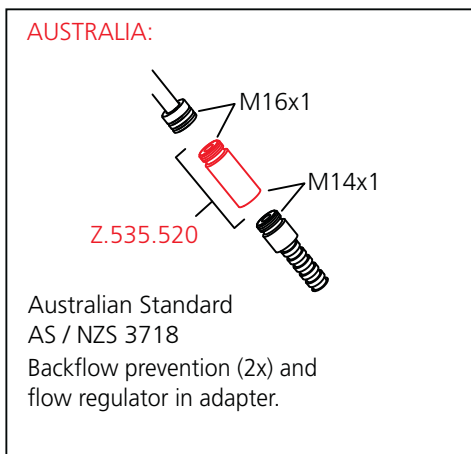
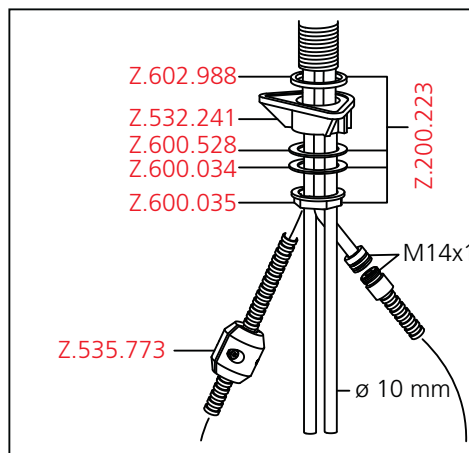
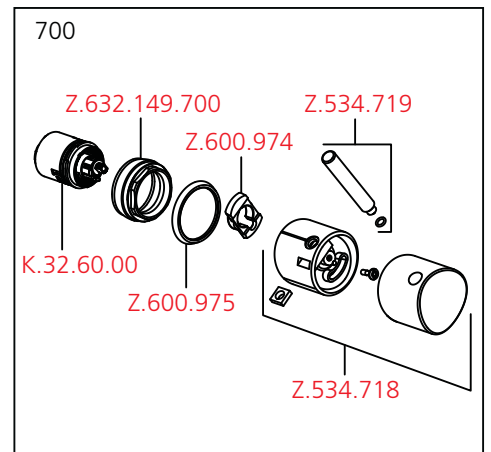
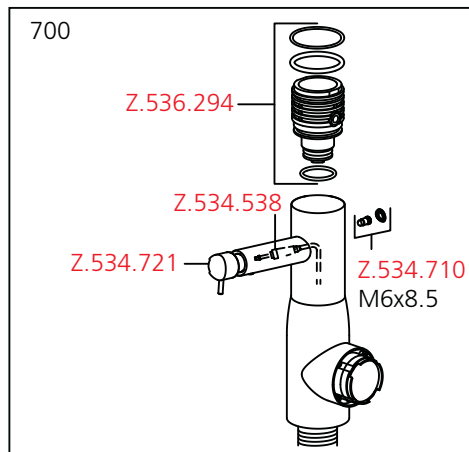
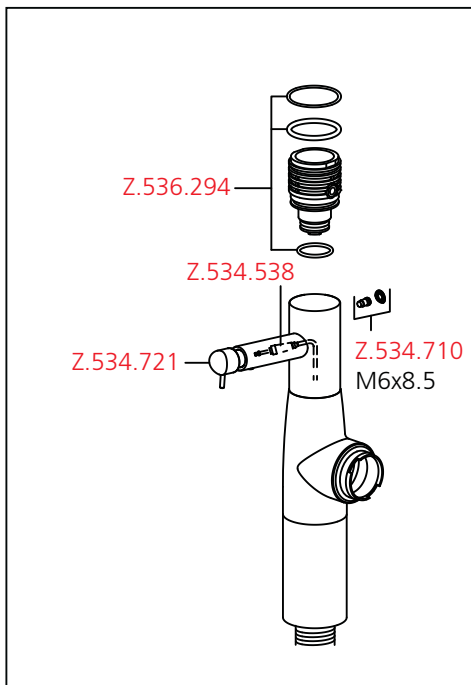
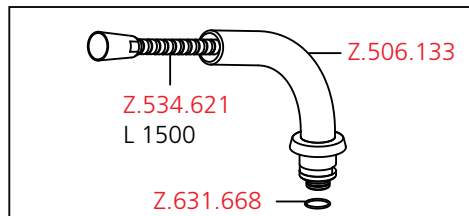
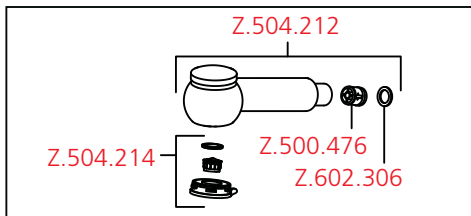
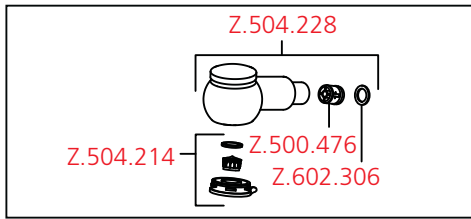


10.501.122.700
10.501.112.700



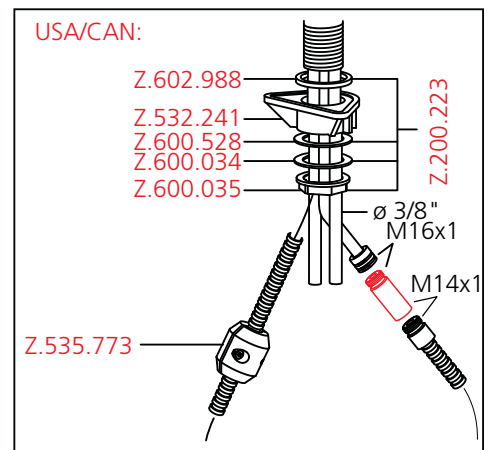
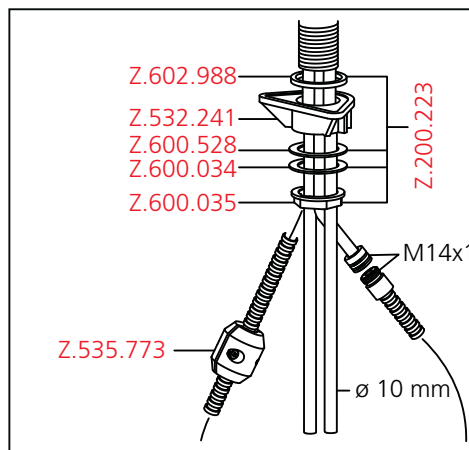
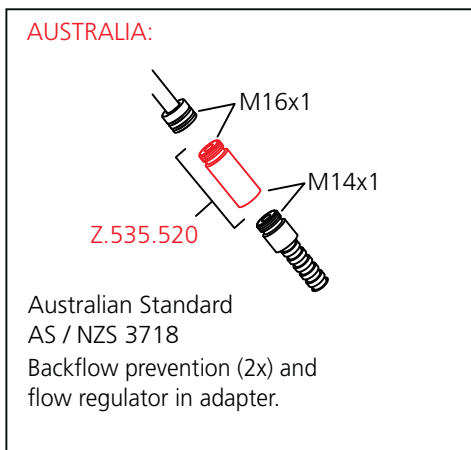
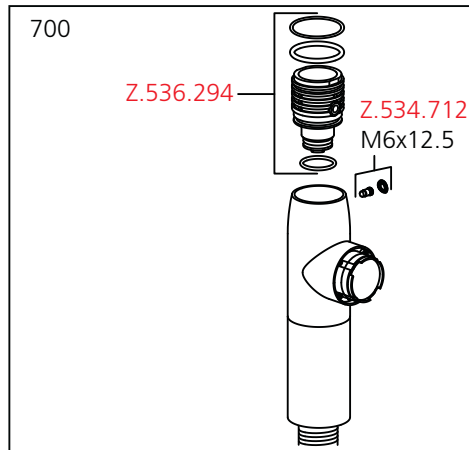
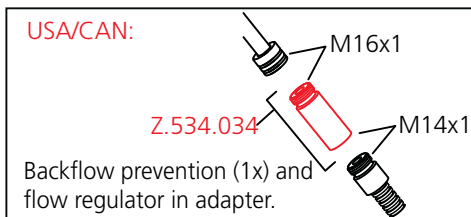
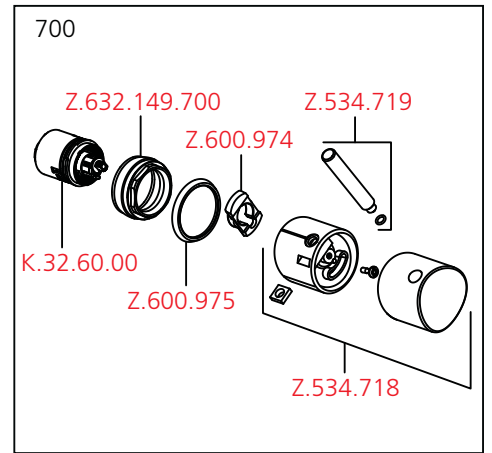
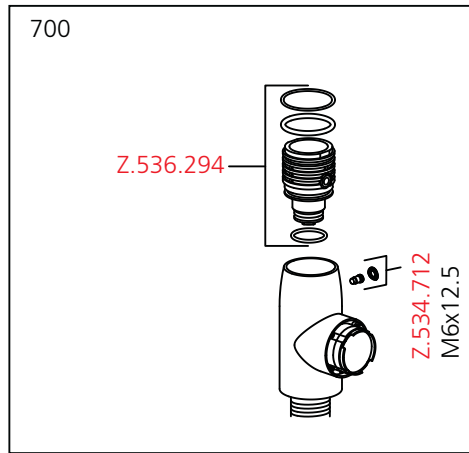
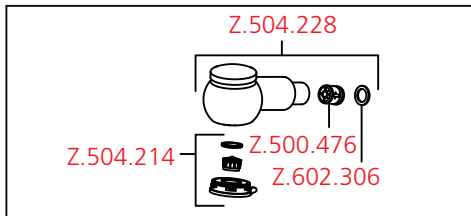
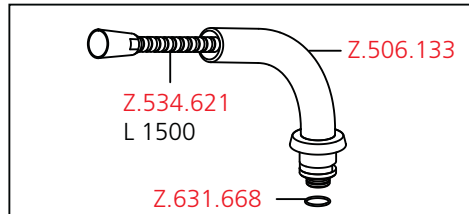
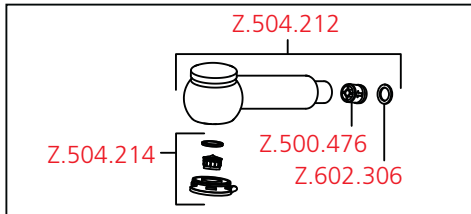
Ersatzteile
Pièces de rechange
Pezzi di ricambio
Repuestos
Spare parts

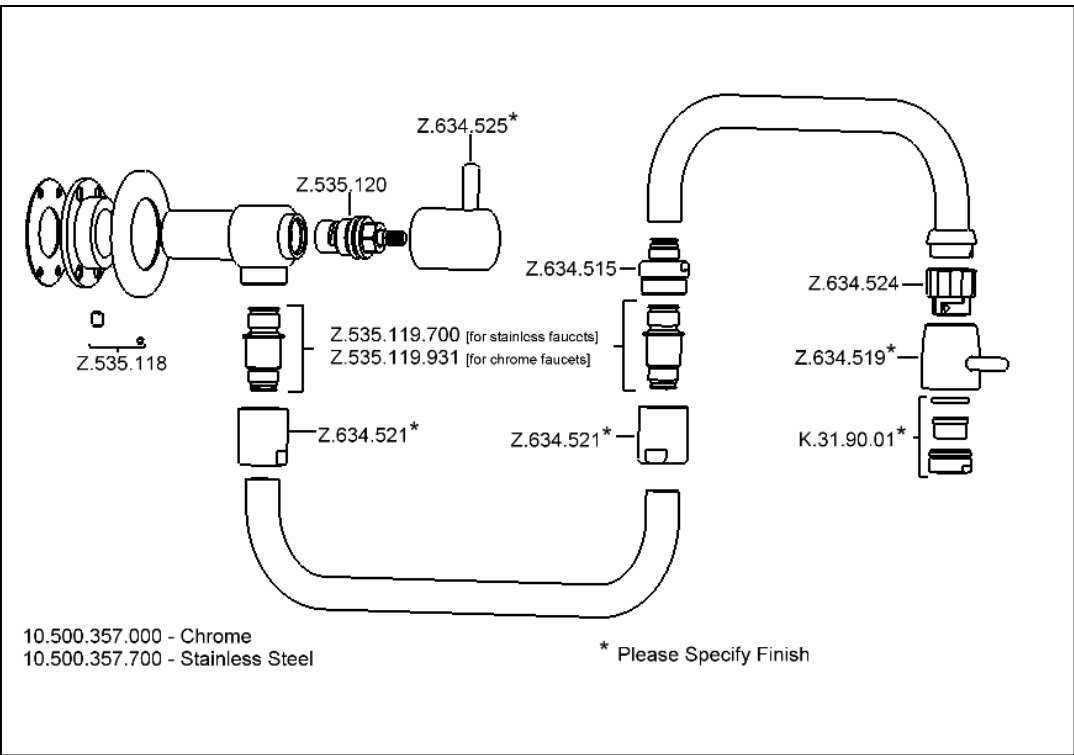
10.501.173.736
10.501.174.736
10.501.183.736
10.501.184.736



Ersatzteile
 Pièces de rechange
 Pezzi di ricambio
 Repuestos
 Spare parts

10.501.003.736
 10.501.004.736
 10.501.163.736
 10.501.164.736





In General

- Faucet surface must be of room temperature before cleaning. (Warmer surfaces are more easily damaged).
- Cleaning instructions of the manufacturer must be followed.

Maintenance

- Wipe surface dry with soft cloth daily.
- Never use aggressive or abrasive cleaners or cleaning pads.

Cleaning

- Dirt or mineral deposits on faucet's surface should be removed with mild detergent or soapy water.
- Rinse well immediately with cool water (make sure no detergent remains on surface).
- Dry with soft cloth.

Damage caused by improper handling is excluded from the manufacturer's warranty.



10.500.357

Installation and service instructions

KWC SYSTEMA Pot Filler



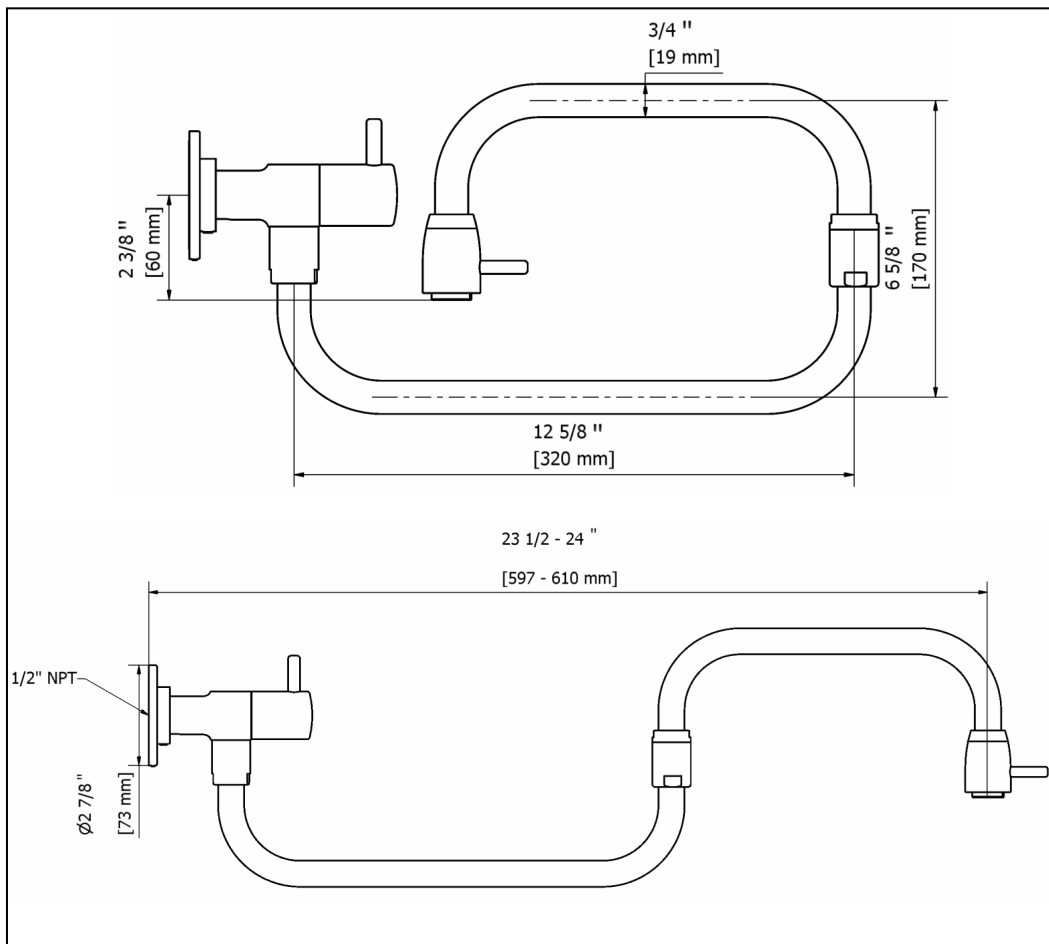
KWC SYSTEMA Pot Filler

KWC AMERICA INC.

1770 Corporate Drive #580
Norcross, Georgia 30093
Phone 678 334 2121
Fax 678 334 2128
www.kwcfaucets.com

KWC AG.

CH-5726 UNTERKULM,
SWITZERLAND.
Tel: 062 768 68 68
Fax: 062 768 61 62



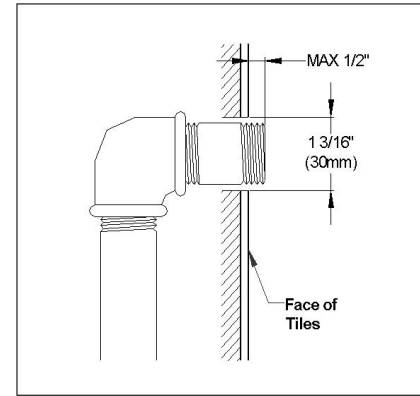
Operation

Pot fillers are designed for the delivery of cold tap water and may be positioned above basins or stoves. The dual swivel spout enables the outlet to be conveniently positioned above pots/pans as required.

For ease of use, the pot filler is fitted with 2 control valves. **If the pot filler is to be left unattended, ensure both valves are in the closed position.**

Operating Data

Ideal operating pressure	: 3 bar (45 PSI)
Max. operating pressure	: 5 bar (70 PSI)
Ideal water temperature	: 20°C (68°F)
Max. water temperature	: 60°C (140°F)

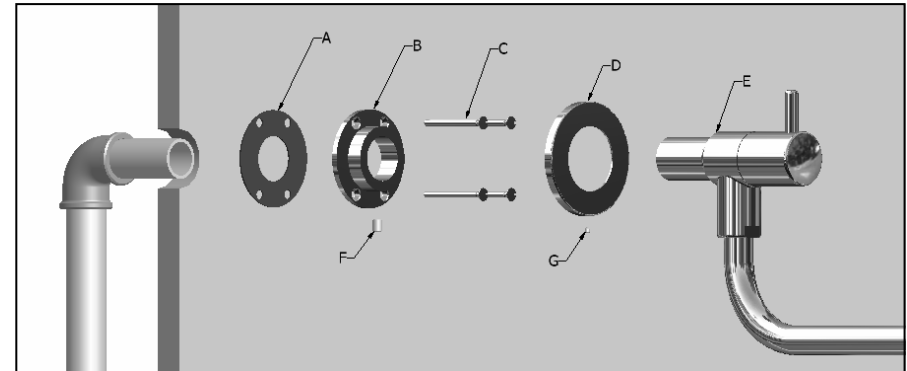


Installation

Note: When installing on plasterboard walls (not solid walls) an appropriate reinforcement must be in place to ensure sufficient strength.

KWC SYSTEMA Pot Filler should be connected to a 1/2" NPT male connector.

Arrange the in-wall plumbing so that the pot filler is positioned at an appropriate height for your particular installation.



The adjustable flange allows for correct installation without the need for precise positioning of the internal pipe work. Therefore, the NPT connector should protrude from the wall / tile face 0 - 1/2".

Plaster (and tile) around the 1/2" NPT connector so that the flange (D) will cover the rough area. Ensure room is left for the valve body (E) to pass through onto the connector and enough space is left for attachment with the screws (C) and anchors.

Thread the pot filler onto the plumbing connection with the flange back plate (B) over the valve body (E). Without fully tightening, position and level (spirit level recommended) the pot filler horizontally, slide the flange back plate (B) up against the wall, and tighten onto the valve body (E) with the set screw (F). Mark the position of the holes, and remove the pot filler.

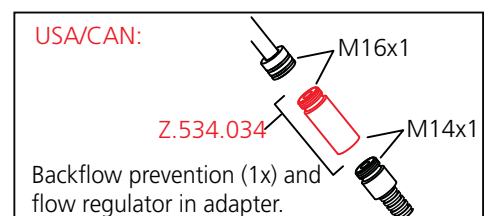
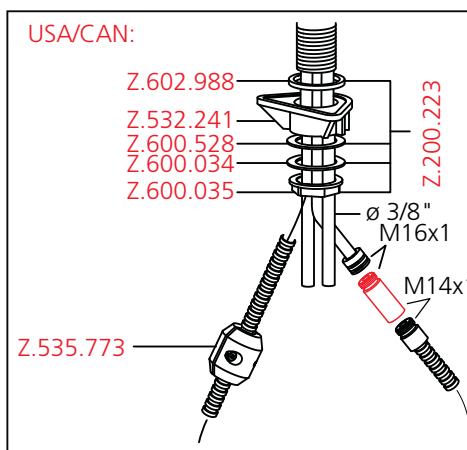
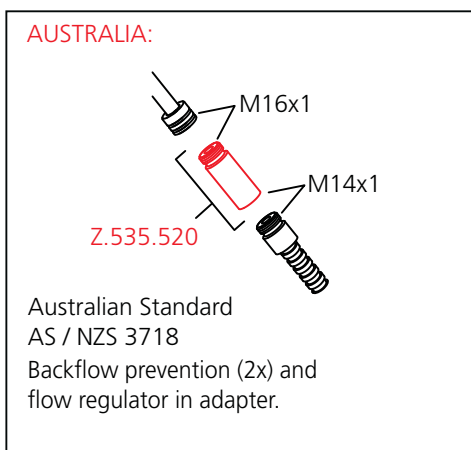
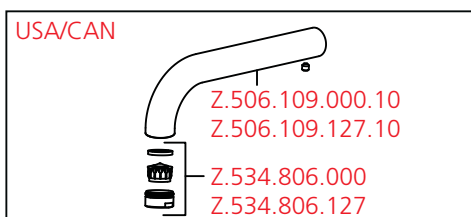
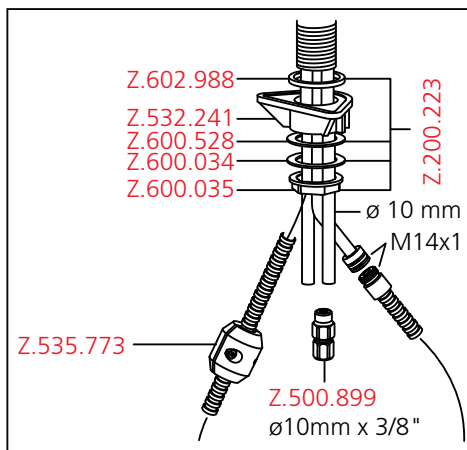
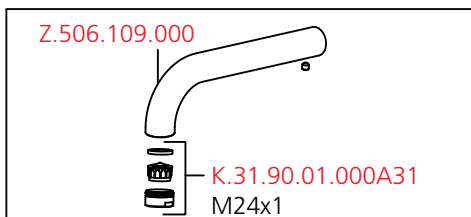
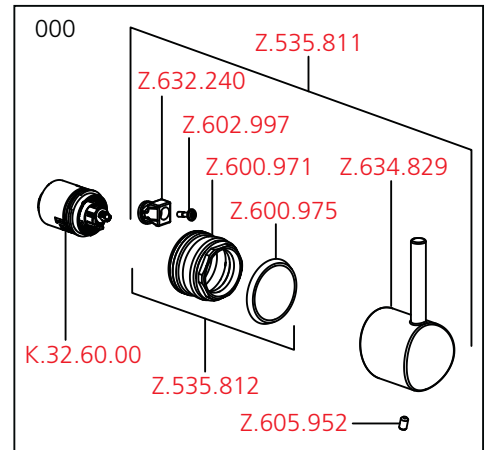
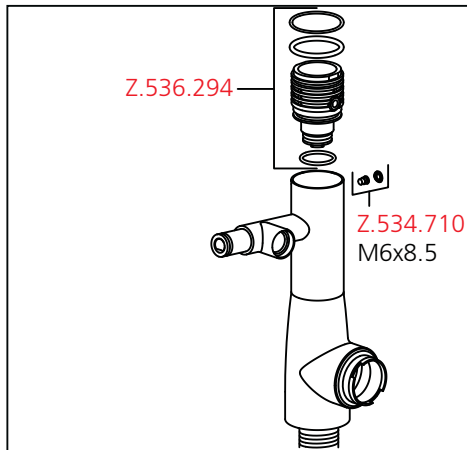
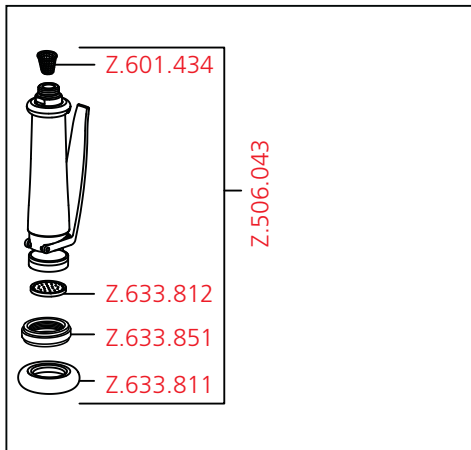
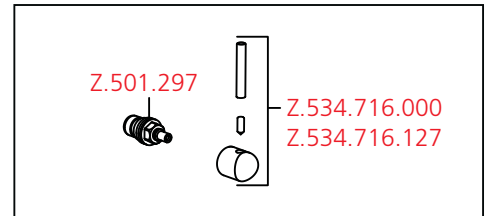
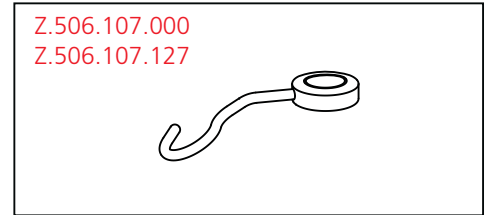
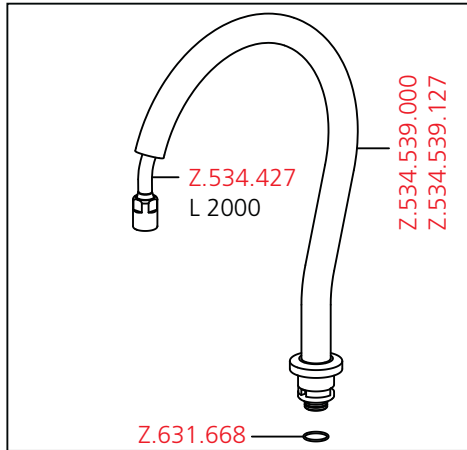
Drill the 4 holes as marked, and attach the flange back plate (B) and seal (A) to the wall with the screws (C) provided.

Fit the flange cover (D) over the valve body (E) and attach to the connector ensuring seal. (PTFE tape may be required). The pot filler must be tightened so that it finishes in a horizontal position and again is fastened in place with the set screw (F).

Slide flange cover (D) over the back plate (B) and fix in place with the set screw (G).

Ersatzteile
 Pièces de rechange
 Pezzi di ricambio
 Repuestos
 Spare parts

10.501.134.000
 10.501.134.127



Ersatzteile
Pièces de rechange
Pezzi di ricambio
Repuestos
Spare parts

10.501.144.000
10.501.144.127
10.501.154.000
10.501.154.127

