



T&S BRASS AND BRONZE WORKS, INC.

2 Saddleback Cove / P.O. Box 1088
Travelers Rest, SC 29690



REG. #A2601
ISO #9001

Model No.
B-0502-SL

Item No.

Travelers Rest, SC: 800-476-4103 Simi Valley, CA: 800-423-0150 Fax: 864-834-3518 www.tsbrass.com

This Space for Architect/Engineer Approval

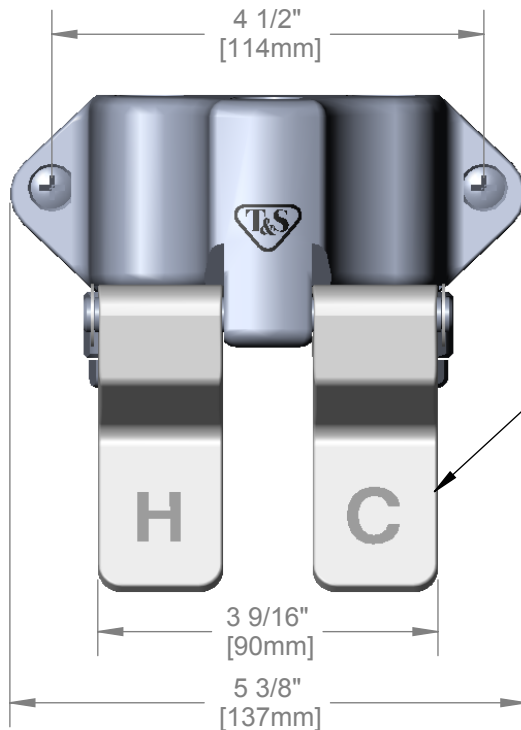
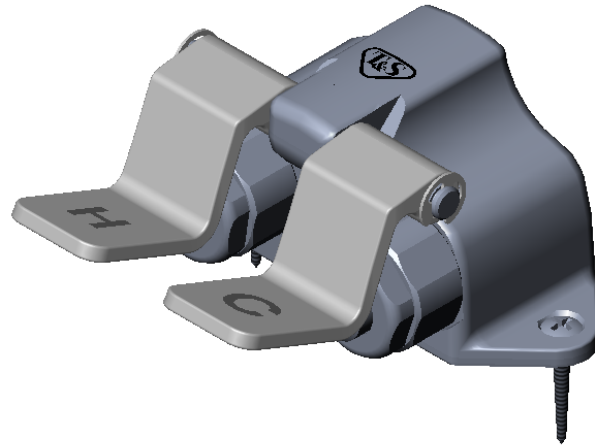
Job Name _____ Date _____

Model Specified _____ Quantity _____

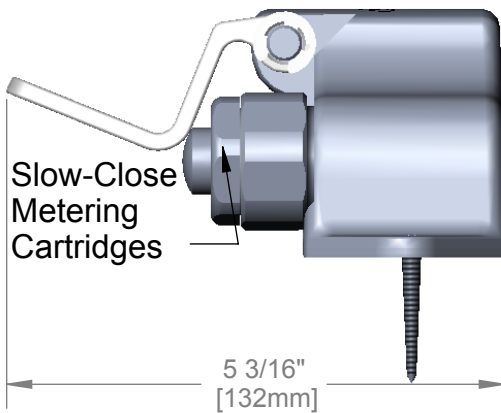
Customer/Wholesaler _____

Contractor _____

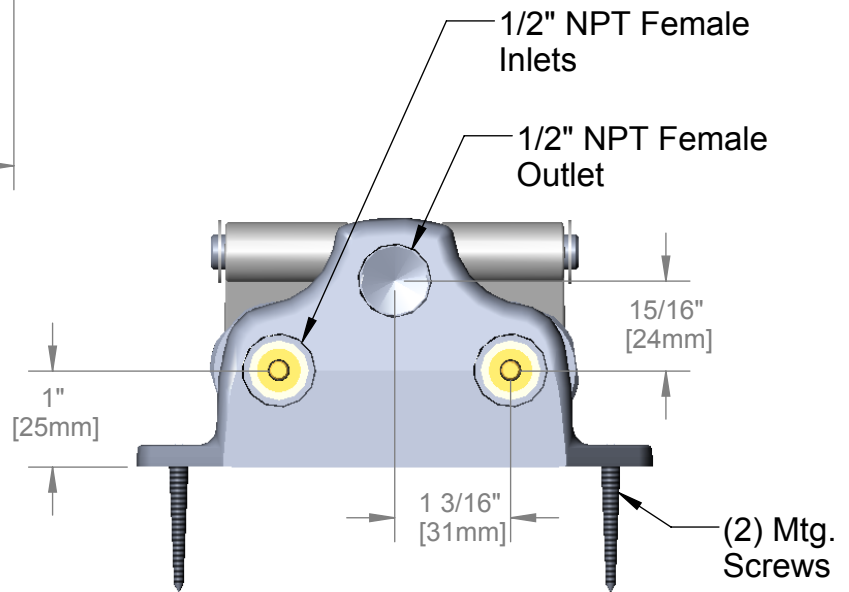
Architect/Engineer _____



Chrome Plated
Brass Foot Pedals



Side View



Back View

Product Specifications:
Slow Close Double Pedal Valve
1/2" NPT Female Inlets & Outlet

Drawn GEF	Checked JRM	Approved JHB
Scale: 1:2		Date: 04/20/07



T&S BRASS AND BRONZE WORKS, INC.
 2 Saddleback Cove / P.O. Box 1088
 Travelers Rest, SC 29690



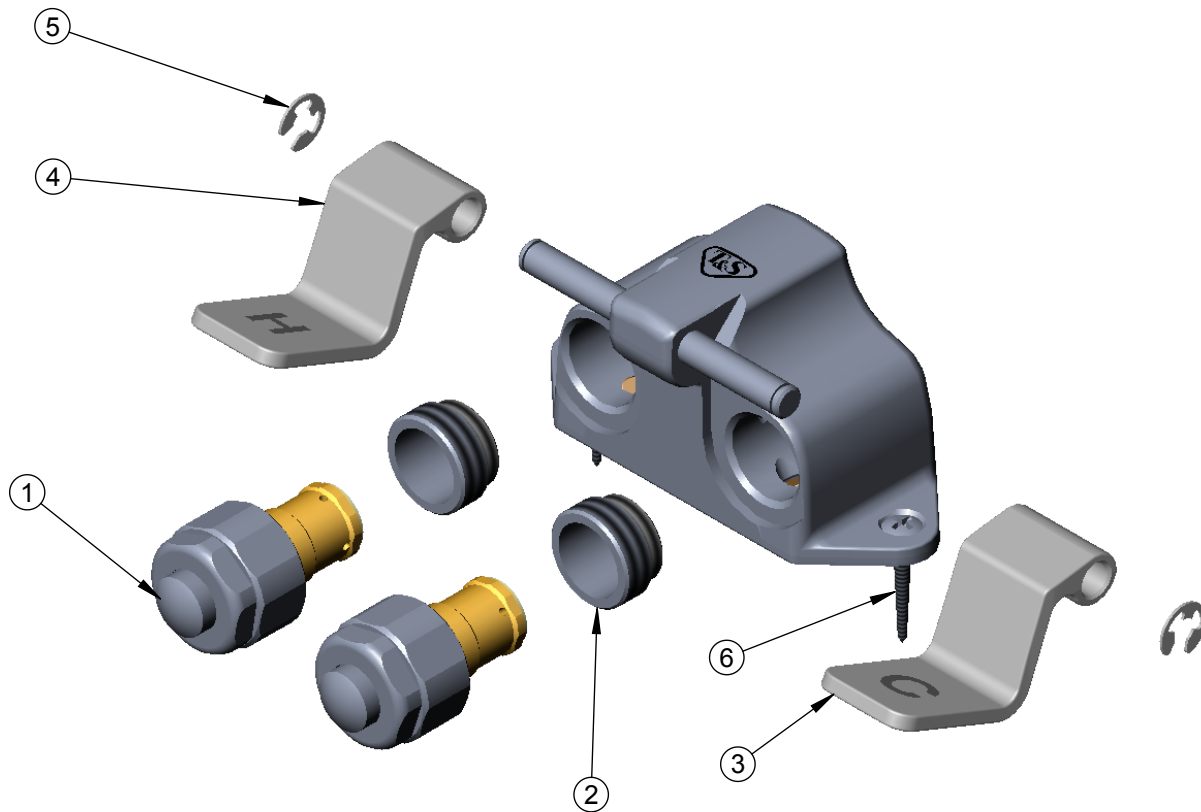
REG. #A2601
 ISO #9001

Model No.
B-0502-SL

Item No.

Travelers Rest, SC: 800-476-4103 Simi Valley, CA: 800-423-0150 Fax: 864-834-3518 www.tsbrass.com

ITEM	PART NO.	DESCRIPTION
1	011399-40	Slow Close Ctg.
2	011320-25	Adapter
3	000091-25	Cold Pedal
4	000092-25	Hot Pedal
5	012512-45	Retaining Ring
6	000915-45	Mounting Screw



Product Specifications:

Slow Close Double Pedal Valve
 1/2" NPT Female Inlets & Outlet

Drawn GEF	Checked JRM	Approved JHB
Scale: 1:2		Date: 04/20/07