



# T&S BRASS AND BRONZE WORKS, INC.

2 Saddleback Cove / P.O. Box 1088  
Travelers Rest, SC 29690



REG. #A2601  
ISO #9001

Model No.  
**B-2990-BWH4CR**

Item No.

Travelers Rest, SC: 800-476-4103 Simi Valley, CA: 800-423-0150 Fax: 864-834-3518 www.tsbrass.com

This Space for Architect/Engineer Approval

Job Name \_\_\_\_\_ Date \_\_\_\_\_

Model Specified \_\_\_\_\_ Quantity \_\_\_\_\_

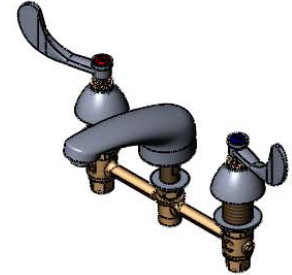
Customer/Wholesaler \_\_\_\_\_

Contractor \_\_\_\_\_

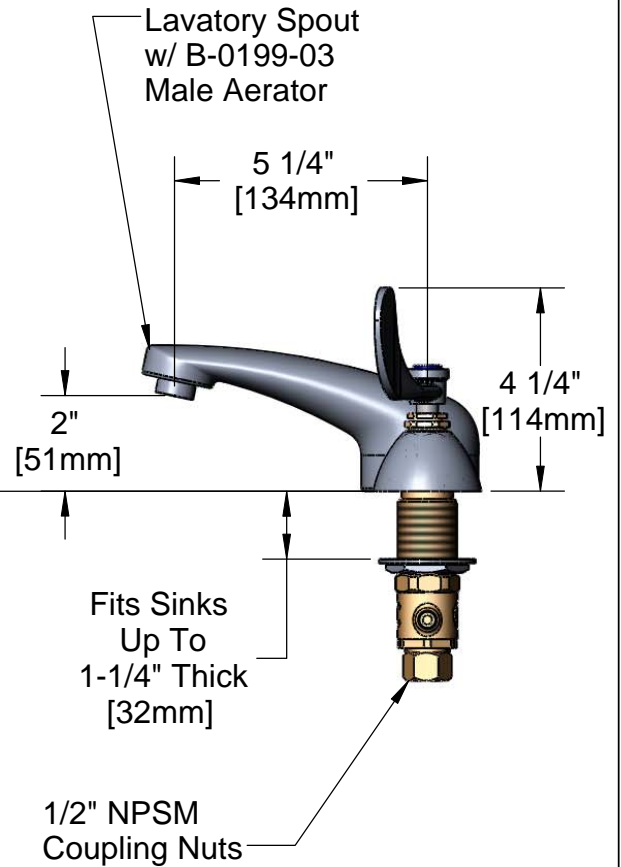
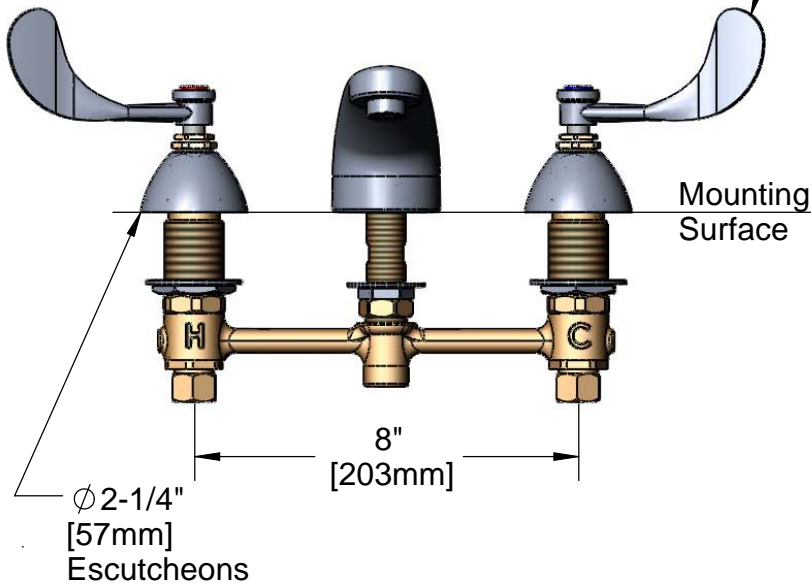
Architect/Engineer \_\_\_\_\_



**ADA Compliant**



B-WH4  
4" Wrist Action Handles  
w/ Color Coded Indexes



Note: Rough-In Required:

Ø 1" [25mm] for Center Shank

Ø 1-1/2" [38mm] for Hot/Cold Side [1-1/4" [32mm] Minimum]

Product Specifications:

**EasyInstall Faucet w/ 4" Wrist Action Handles, Ceramic Cartridges, 8" Inlet Centers & Lavatory Spout w/ B-0199-03 Male Aerator**

Drawn  
**JRM**

Checked  
**GEF**

Approved  
**JHB**

Scale:

**NTS**

Date:

**07/31/08**



**T&S BRASS AND BRONZE WORKS, INC.**

2 Saddleback Cove / P.O. Box 1088  
Travelers Rest, SC 29690



REG. #A2601  
ISO #9001

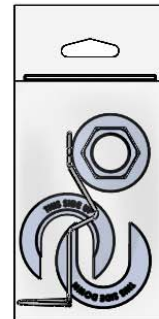
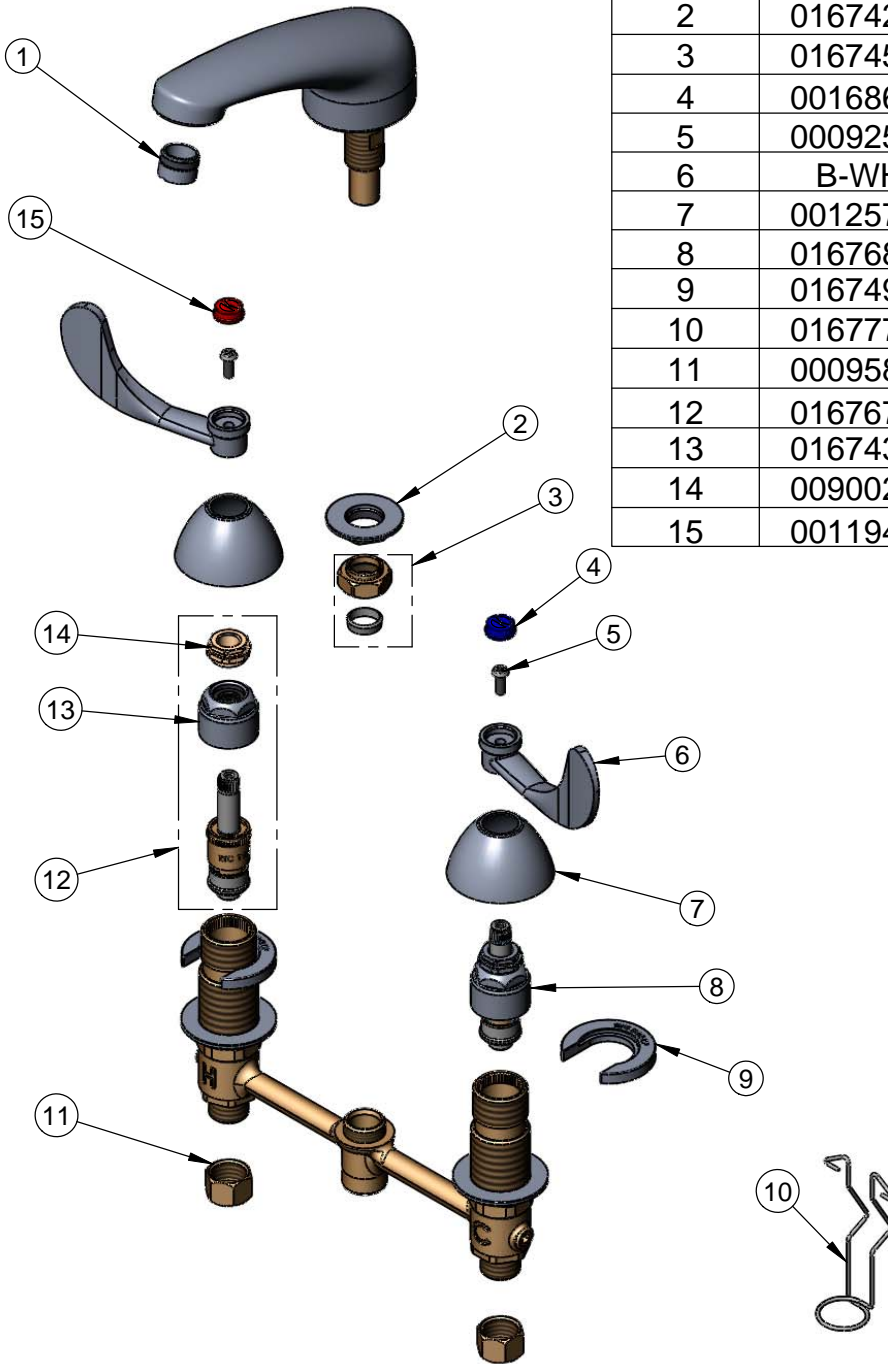
Model No.

**B-2990-BWH4CR**

Item No.

Travelers Rest, SC: 800-476-4103 Simi Valley, CA: 800-423-0150 Fax: 864-834-3518 www.tsbrass.com

ITEM NO.	SALES NO.	DESCRIPTION
1	B-0199-03	2.2 GPM Aerator
2	016742-45	Center Flange Nut
3	016745-45	Compression Nut & Fitting
4	001686-45	Blue CW Index
5	000925-45	Lab Handle Screw
6	B-WH4	4" Wrist Action Handle
7	001257-40	Bell Escutcheon
8	016768-25	EZ-Install CWS Cerama LTC
9	016749-45	Sidebody C-Washer
10	016777-45	CWS Hanger
11	000958-20	Coupling Nut
12	016767-25	EZ-Install CWS Cerama RTC
13	016743-25	CWS Bonnet Assembly
14	009002-25	Packing Nut Assembly
15	001194-45	Red HW Index



017245-40  
Installation Repair Kit  
Includes #2, (2)#9, & #10

Product Specifications:

EasyInstall Faucet w/ 4" Wrist Action Handles,  
Ceramic Cartridges, 8" Inlet Centers &  
Lavatory Spout w/ B-0199-03 Male Aerator

Drawn <b>JRM</b>	Checked <b>GEF</b>	Approved <b>JHB</b>
Scale: <b>NTS</b>		Date: <b>07/31/08</b>