



T&S BRASS AND BRONZE WORKS, INC.

2 Saddleback Cove / P.O. Box 1088
Travelers Rest, SC 29690



REG. #A2601
ISO #9001

Model No.
B-3942

Item No.

Travelers Rest, SC: 800-476-4103 Simi Valley, CA: 800-423-0150 Fax: 864-834-3518 www.tsbrass.com

This Space for Architect/Engineer Approval

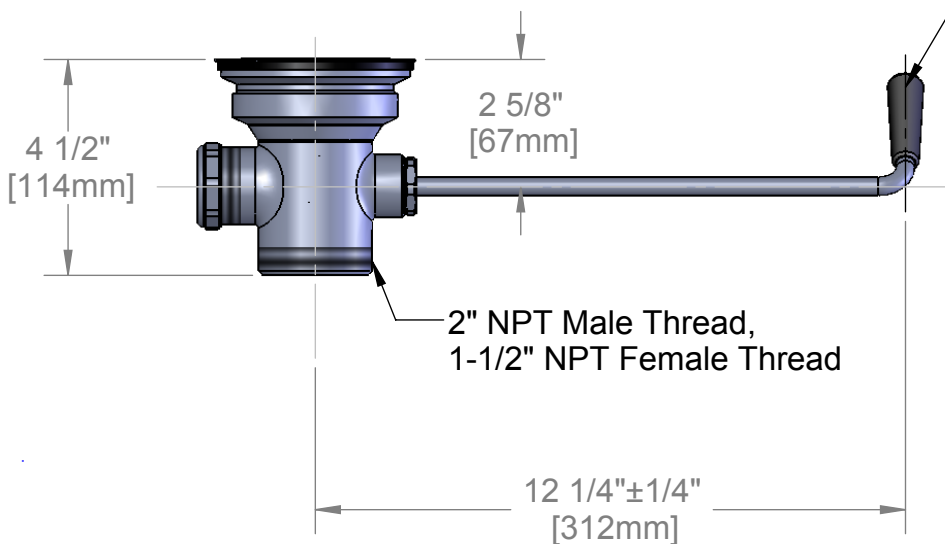
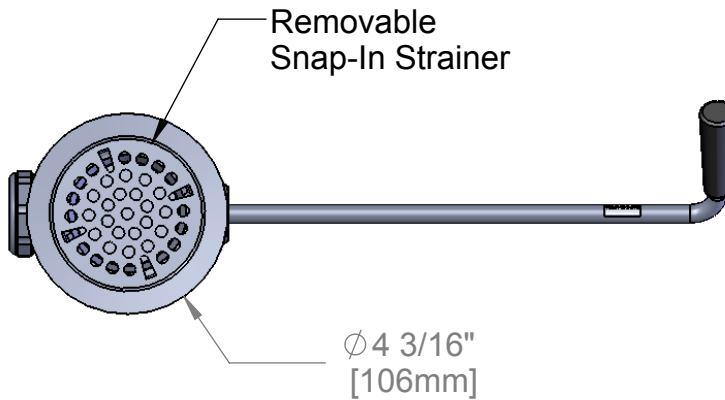
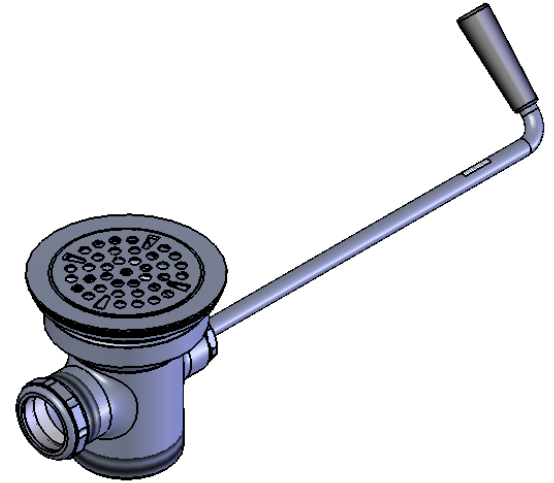
Job Name _____ Date _____

Model Specified _____ Quantity _____

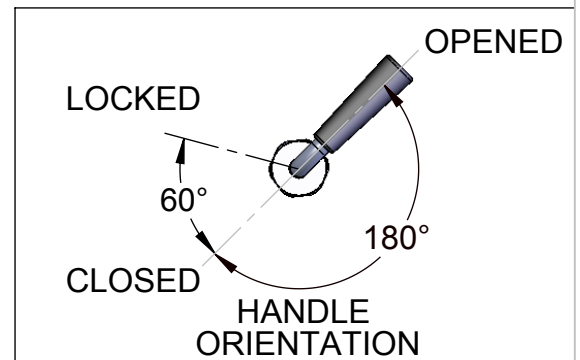
Customer/Wholesaler _____

Contractor _____

Architect/Engineer _____



Twist Handle w/
Heat Resistant
Plastic Grip (Shown
in Open Position)



Product Specifications:
Rotary Waste Valve w/ Twist Handle, 3" Sink Opening,
2" NPT Male / 1-1/2" NPT Female Thread Outlet

| | | |
|---------------|------------------|-----------------|
| Drawn DHL | Checked JRM | Approved JHB |
| Scale: 1:4 | Date: 3/19/07 | |



T&S BRASS AND BRONZE WORKS, INC.

2 Saddleback Cove / P.O. Box 1088
Travelers Rest, SC 29690



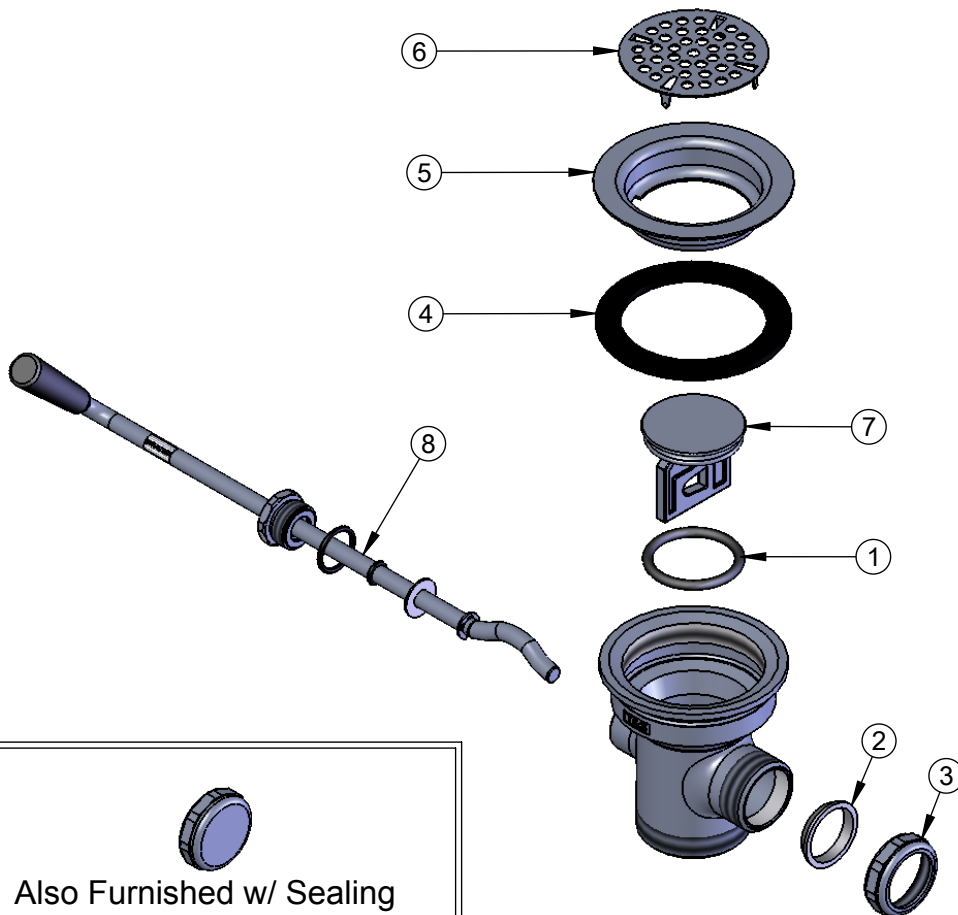
REG. #A2601
ISO #9001

Model No.
B-3942

Item No.

Travelers Rest, SC: 800-476-4103 Simi Valley, CA: 800-423-0150 Fax: 864-834-3518 www.tsbrass.com

| ITEM | SALE NO. | DESCRIPTION |
|------|-----------|-------------------------------|
| 1 | 010389-45 | O-Ring, Plunger |
| 2 | 010390-45 | Ferrule, Coupling Nut |
| 3 | 010391-45 | Nut, Coupling For Twist Drain |
| 4 | 015305-45 | Gasket, 3" Face Flange |
| 5 | 015306-45 | Flange, 3" Face |
| 6 | 015307-45 | Strainer, 3" Snap-in |
| 7 | 010388-45 | Plunger, Twist Drain |
| 8 | 010393-45 | Rod Assembly, Twist |



Also Furnished w/ Sealing Cap When Overflow Tube Coupling Nut is Not Used.
PN# 012640-45

Product Specifications:

Rotary Waste Valve w/ Twist Handle, 3" Sink Opening,
2" NPT Male / 1-1/2" NPT Female Thread Outlet

| | | |
|----------------------|-----------------------|-------------------------|
| Drawn DHL | Checked JRM | Approved JHB |
| Scale: 1:4 | | Date: 3/19/07 |