



T&S BRASS AND BRONZE WORKS, INC.

2 Saddleback Cove / P.O. Box 1088

Travelers Rest, SC 29690



REG. #A2601
ISO #9001

Model No.

BL-4260-02

Item No.

Travelers Rest, SC: 800-476-4103 Simi Valley, CA: 800-423-0150 Fax: 864-834-3518 www.tsbrass.com

This Space for Architect/Engineer Approval

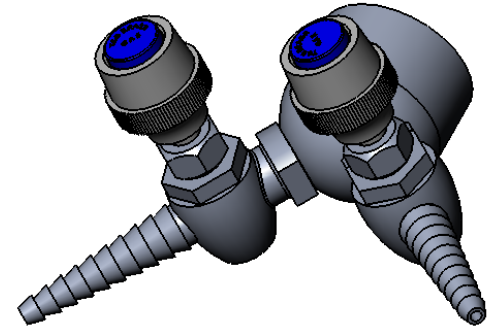
Job Name _____ Date _____

Model Specified _____ Quantity _____

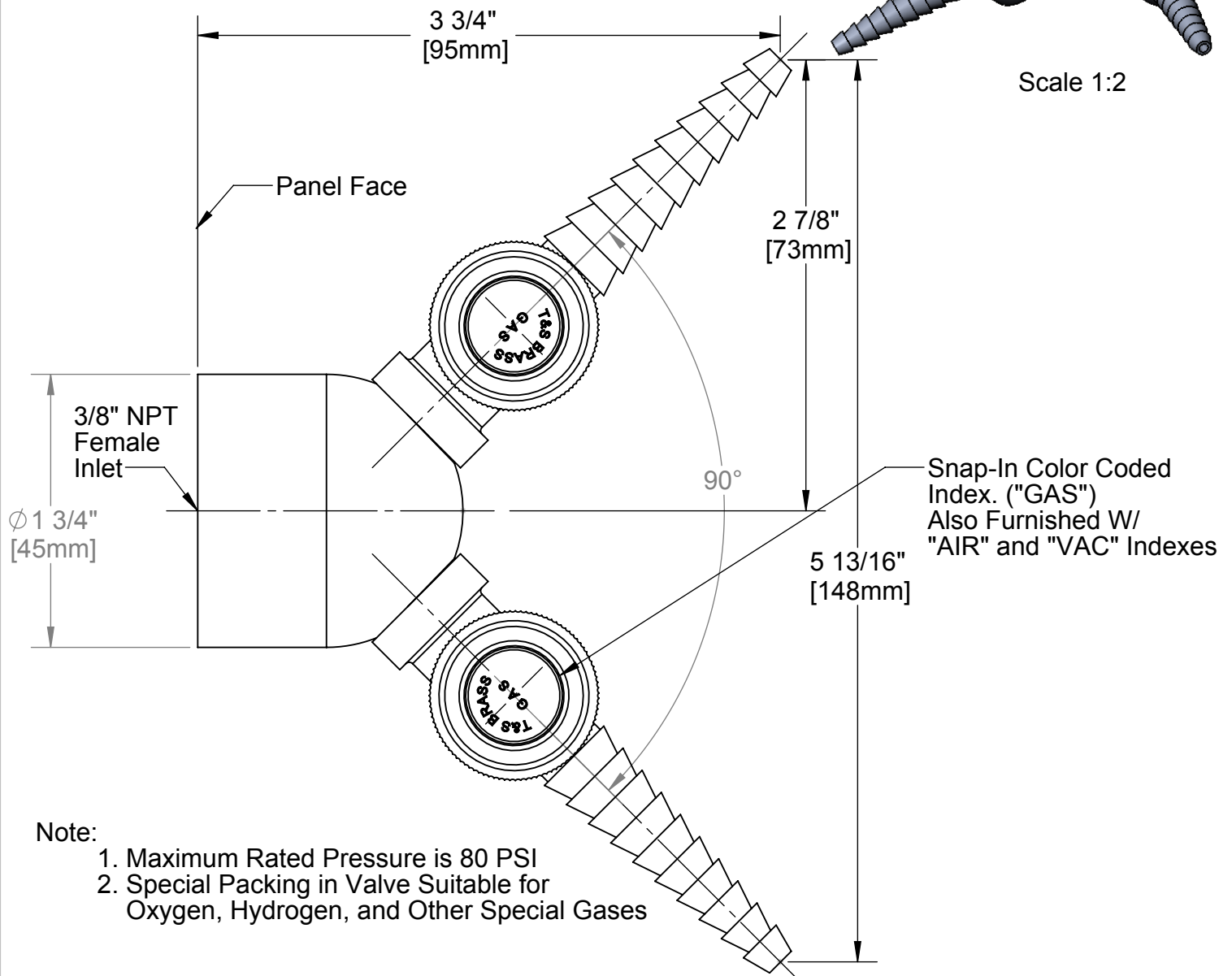
Customer/Wholesaler _____

Contractor _____

Architect/Engineer _____



Scale 1:2



Product Specifications:

Double Panel Flange w/ 2 Needle
Hose Cocks, 3/8" NPT Inlet & Outlets

Drawn ARH	Checked JRM	Approved JHB
Scale: 1:1		Date: 9/19/07



T&S BRASS AND BRONZE WORKS, INC.

2 Saddleback Cove / P.O. Box 1088
Travelers Rest, SC 29690



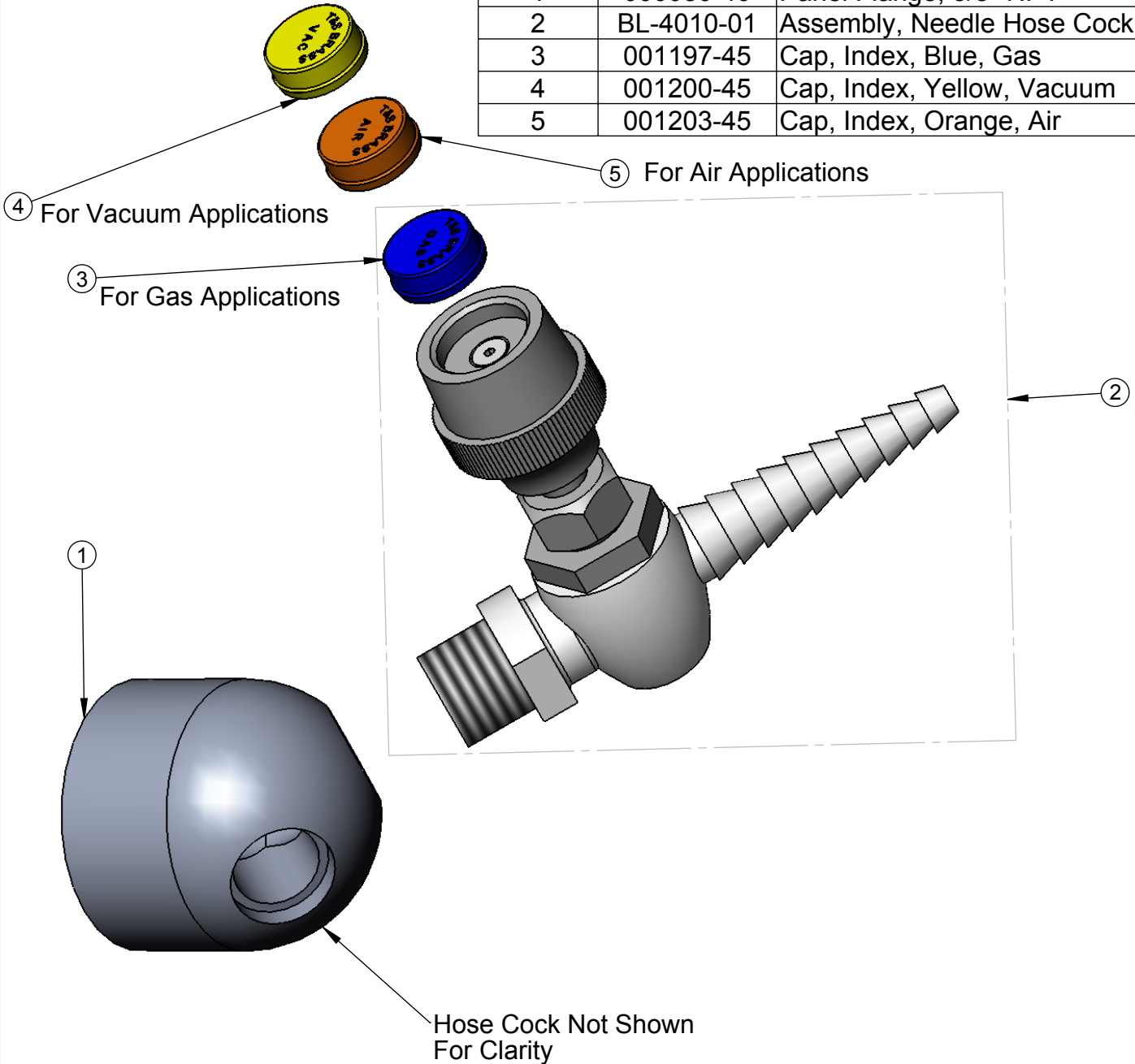
REG. #A2601
ISO #9001

Model No.
BL-4260-02

Item No.

Travelers Rest, SC: 800-476-4103 Simi Valley, CA: 800-423-0150 Fax: 864-834-3518 www.tsbrass.com

ITEM NO.	SALES NO.	DESCRIPTION
1	000080-40	Panel Flange, 3/8" NPT
2	BL-4010-01	Assembly, Needle Hose Cock
3	001197-45	Cap, Index, Blue, Gas
4	001200-45	Cap, Index, Yellow, Vacuum
5	001203-45	Cap, Index, Orange, Air



Product Specifications:

Double Panel Flange w/ 2 Needle
Hose Cocks, 3/8" NPT Inlet & Outlets

Drawn ARH	Checked JRM	Approved JHB
Scale: 1:1		Date: 9/19/07