



**T&S BRASS AND BRONZE WORKS, INC.**  
 2 Saddleback Cove / P.O. Box 1088  
 Travelers Rest, SC 29690



REG. #A2601  
 ISO #9001

Model No.  
**BL-4360-01**

Item No.

Travelers Rest, SC: 800-476-4103 Simi Valley, CA: 800-423-0150 Fax: 864-834-3518 www.tsbrass.com

This Space for Architect/Engineer Approval

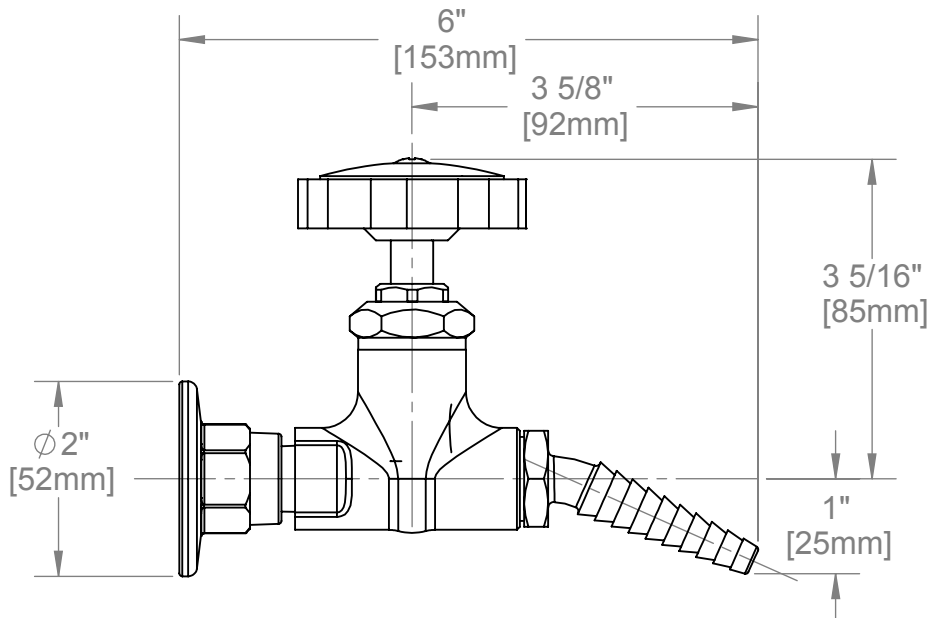
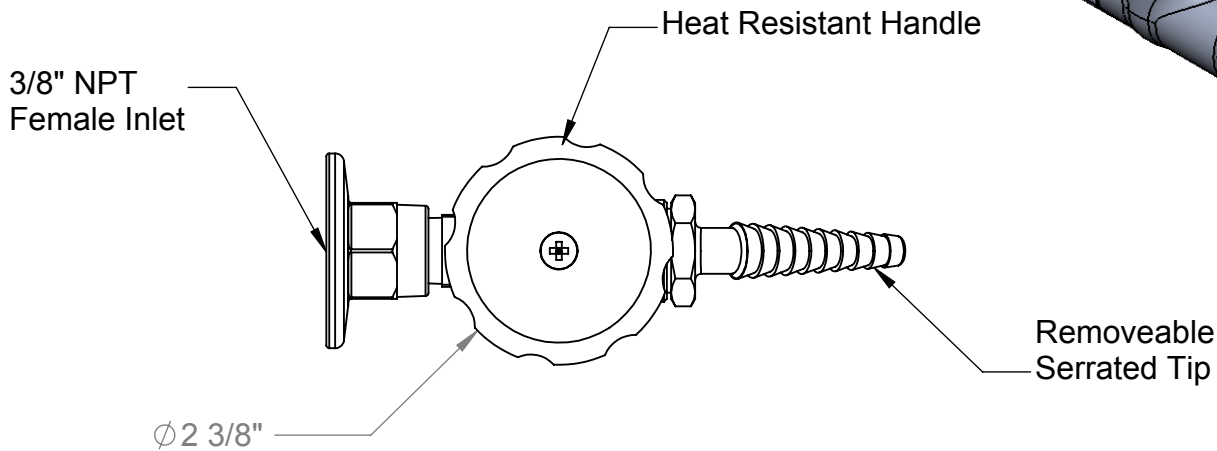
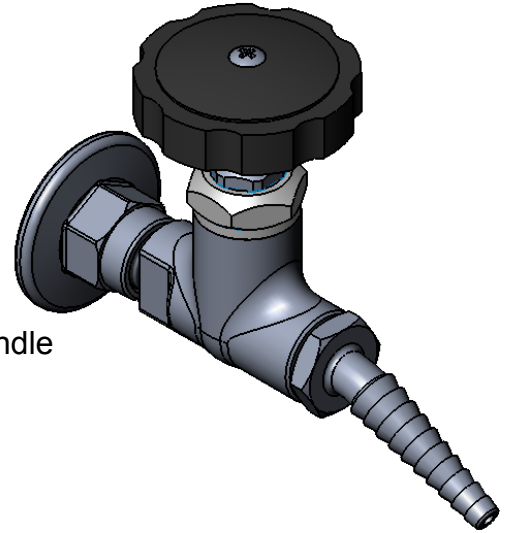
Job Name \_\_\_\_\_ Date \_\_\_\_\_

Model Specified \_\_\_\_\_ Quantity \_\_\_\_\_

Customer/Wholesaler \_\_\_\_\_

Contractor \_\_\_\_\_

Architect/Engineer \_\_\_\_\_



Product Specifications:  
**Wall Flange w/ Straight Stop for Steam  
 w/ Heat Resistant Handle,  
 3/8" NPT Female Inlet, Angled Serrated Tip Outlet**

Drawn <b>ARH</b>	Checked <b>GEF</b>	Approved <b>JHB</b>
Scale: <b>1:2</b>	Date: <b>02/04/08</b>	



**T&S BRASS AND BRONZE WORKS, INC.**

2 Saddleback Cove / P.O. Box 1088  
Travelers Rest, SC 29690



REG. #A2601  
ISO #9001

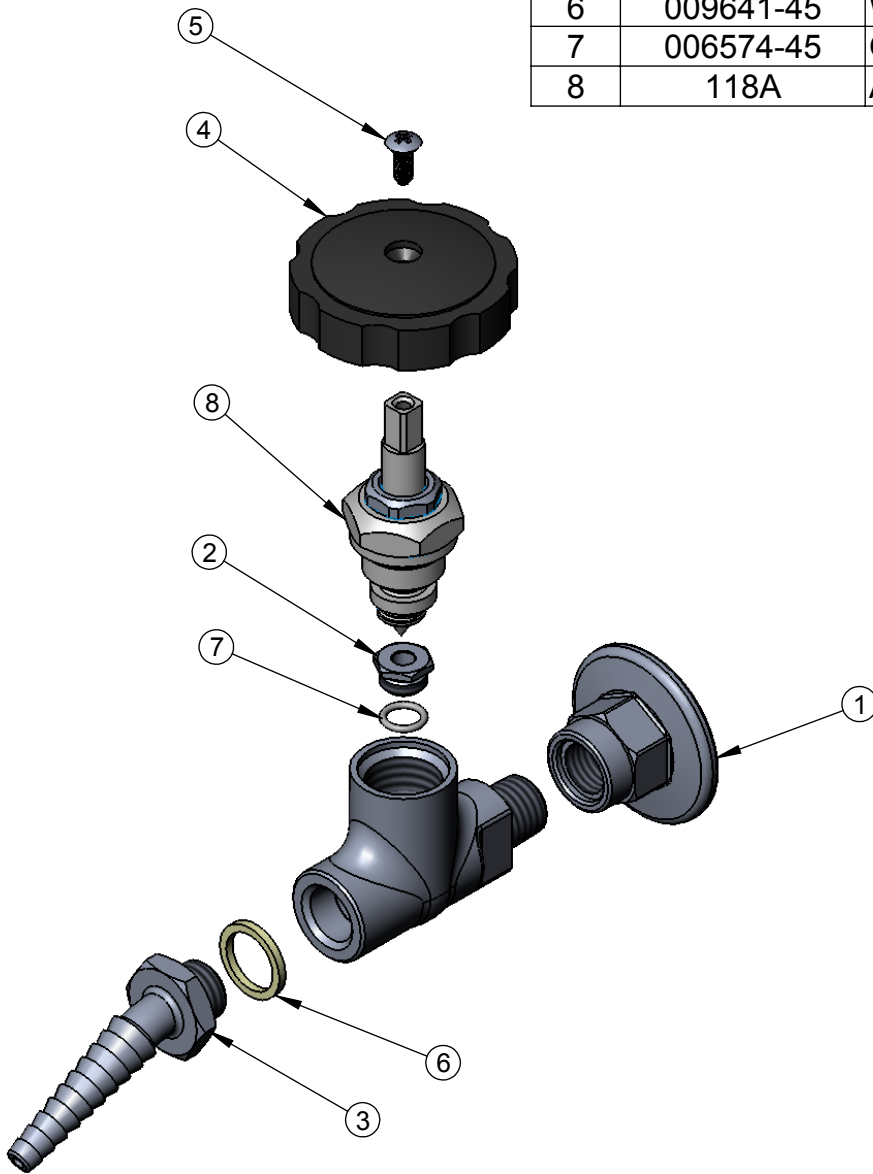
Model No.

**BL-4360-01**

Item No.

Travelers Rest, SC: 800-476-4103 Simi Valley, CA: 800-423-0150 Fax: 864-834-3518 www.tsbrass.com

ITEM NO.	SALES NO.	DESCRIPTION
1	BL-4250-03	Flange, 3/8" NPT
2	000529-40	Seat, BL-4500-01
3	001551-40	Hose End, Angled, Serrated, Brass
4	001149-20	Handle, Heat Resistant, Black
5	000922-45	Lever Handle Screw
6	009641-45	Washer, 7/8" OD X 11/16 ID X 3/32 Thick
7	006574-45	O-ring, 0.364 ID X .070 WT
8	118A	Assembly, Spindle, Brass



Product Specifications:

Wall Flange w/ Straight Stop for Steam  
w/ Heat Resistant Handle,  
3/8" NPT Female Inlet, Angled Serrated Tip Outlet

Drawn <b>ARH</b>	Checked <b>GEF</b>	Approved <b>JHB</b>
Scale: <b>1:2</b>		Date: <b>02/04/08</b>