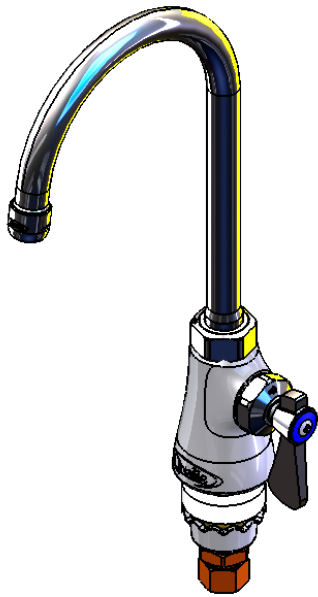




ADA COMPLIANT



This Space for Architect/Engineer Approval

Job Name \_\_\_\_\_ Date \_\_\_\_\_

Model Specified \_\_\_\_\_ Quantity \_\_\_\_\_

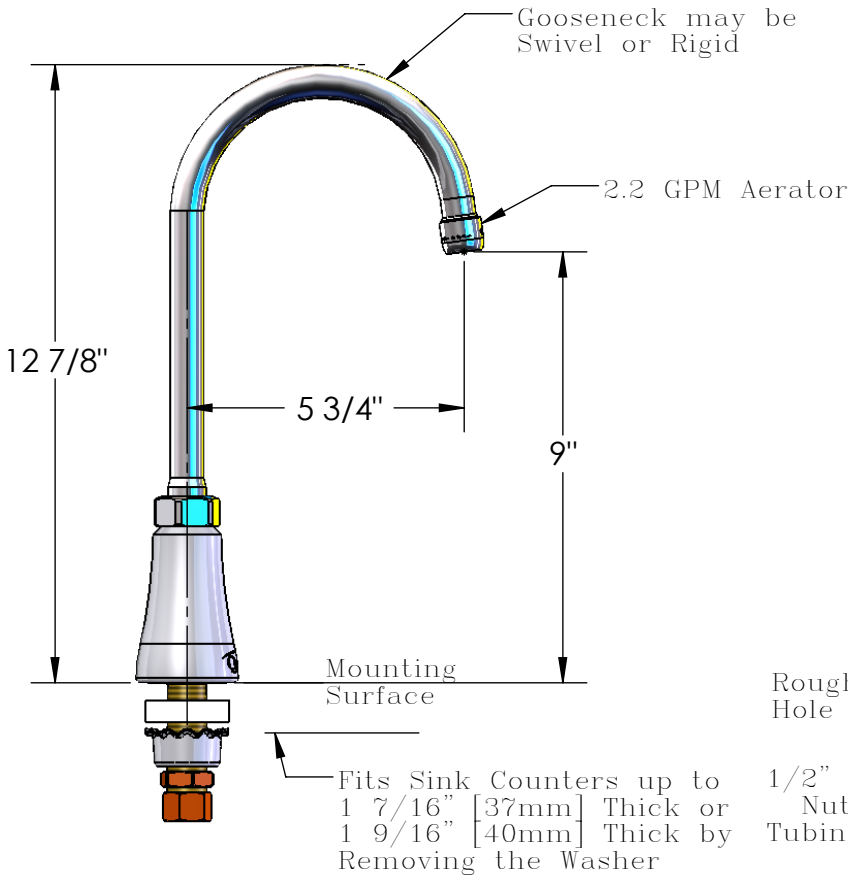
Customer/Wholesaler \_\_\_\_\_

Contractor \_\_\_\_\_

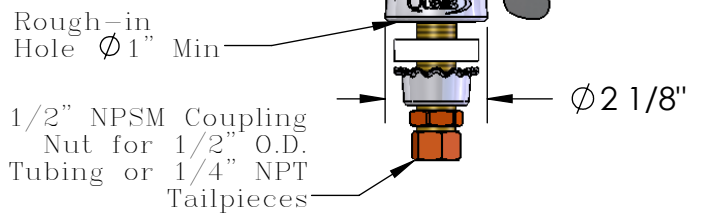
Architect/Engineer \_\_\_\_\_

Available Options

Model Suffix #	Description
<input type="checkbox"/> -5A	2.2 GPM VR Aerator
<input type="checkbox"/> -5B	0.5 GPM Aerator
<input type="checkbox"/> -5C	0.5 GPM VR Aerator
<input type="checkbox"/> -5D	2.2 GPM Laminar Flow
<input type="checkbox"/>	
<input type="checkbox"/> -VR5C	Complete VR Pkg (0.5 GPM)
<input type="checkbox"/> -VR5A	Complete VR Pkg (2.2 GPM)
<input type="checkbox"/>	



1/4 Turn Ceramic Cartridge w/ Lever Handle and Blue Index



Model Number <b>Q-118YB</b>	Date <b>04/04/08</b>	Scale <b>1:4</b>	Drawn <b>JRM</b>	Checked <b>GEF</b>	Approved <b>JHB</b>
--------------------------------	-------------------------	---------------------	---------------------	-----------------------	------------------------



Product Specifications:

Single Hole/ Single Control Deck Mount Faucet, Ceramic Cartridge, Lever Handle, 5 3/4" Gooseneck (GN-B), & 2.2 GPM Aerator



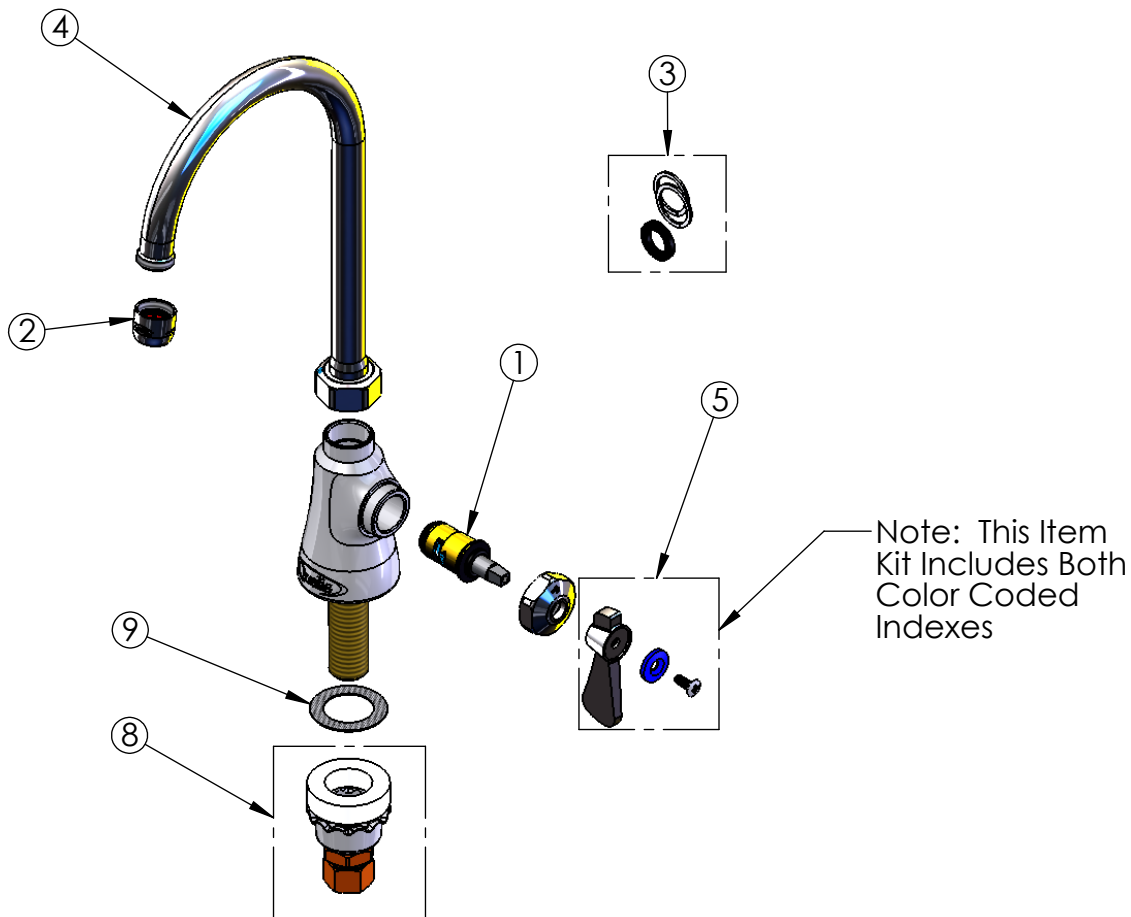
T&S BRASS AND BRONZE WORKS, INC.  
2 Saddleback Cove, P.O. Box 1088  
Travelers Rest, South Carolina 29690

Phone: 800.476.4103 Fax: 800.834.3518, Simi Valley 800.423.0750



REG. #A2601  
ISO #9001

ITEM NO.	SALES NO.	DESCRIPTION
1	Q015383-40	Standard Ceramic Cartridge, Hot
2	Q014986-45	Aerator, Female, 2.2 GPM
3	Q016062-45	GN Swivel/Rigid Kit
4	Q015378-40	5 3/4" Gooseneck (GN-B)
5	Q015973-40	Lever Handle, 1-Pack Kit
8	Q015424-40	Shank Hardware
9	011821-45	Abrasive Washer



Model Number Q-118YB	Date 04/04/08	Scale 1:4	Drawn JRM	Checked GEF	Approved JHB
-------------------------	------------------	--------------	--------------	----------------	-----------------



Product Specifications:  
 Single Hole/ Single Control Deck Mount Faucet,  
 Ceramic Cartridge, Lever Handle,  
 5 3/4" Gooseneck (GN-B), & 2.2 GPM Aerator



T&S BRASS AND BRONZE WORKS, INC.  
 2 Saddleback Cove, P.O. Box 1088  
 Travelers Rest, South Carolina 29690  
 Phone: 800.476.4103 Fax: 800.834.3518, Simi Valley 800.423.0750



REG. #A2601  
 ISO #9001