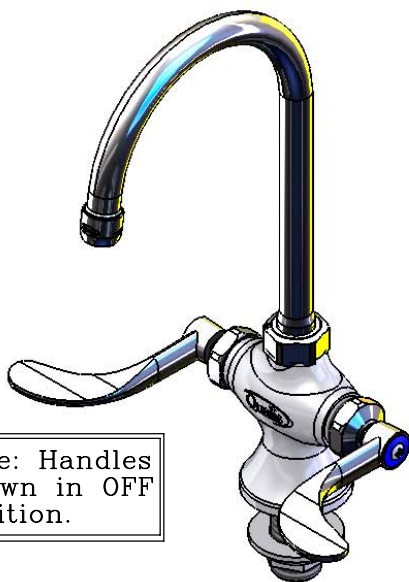
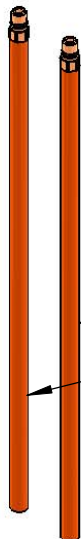




ADA COMPLIANT



Note: Handles Shown in OFF Position.



Note: Handles Shown in OFF Position.

(2X) 12" Supply Tubes

This Space for Architect/Engineer Approval

Job Name _____ Date _____

Model Specified _____ Quantity _____

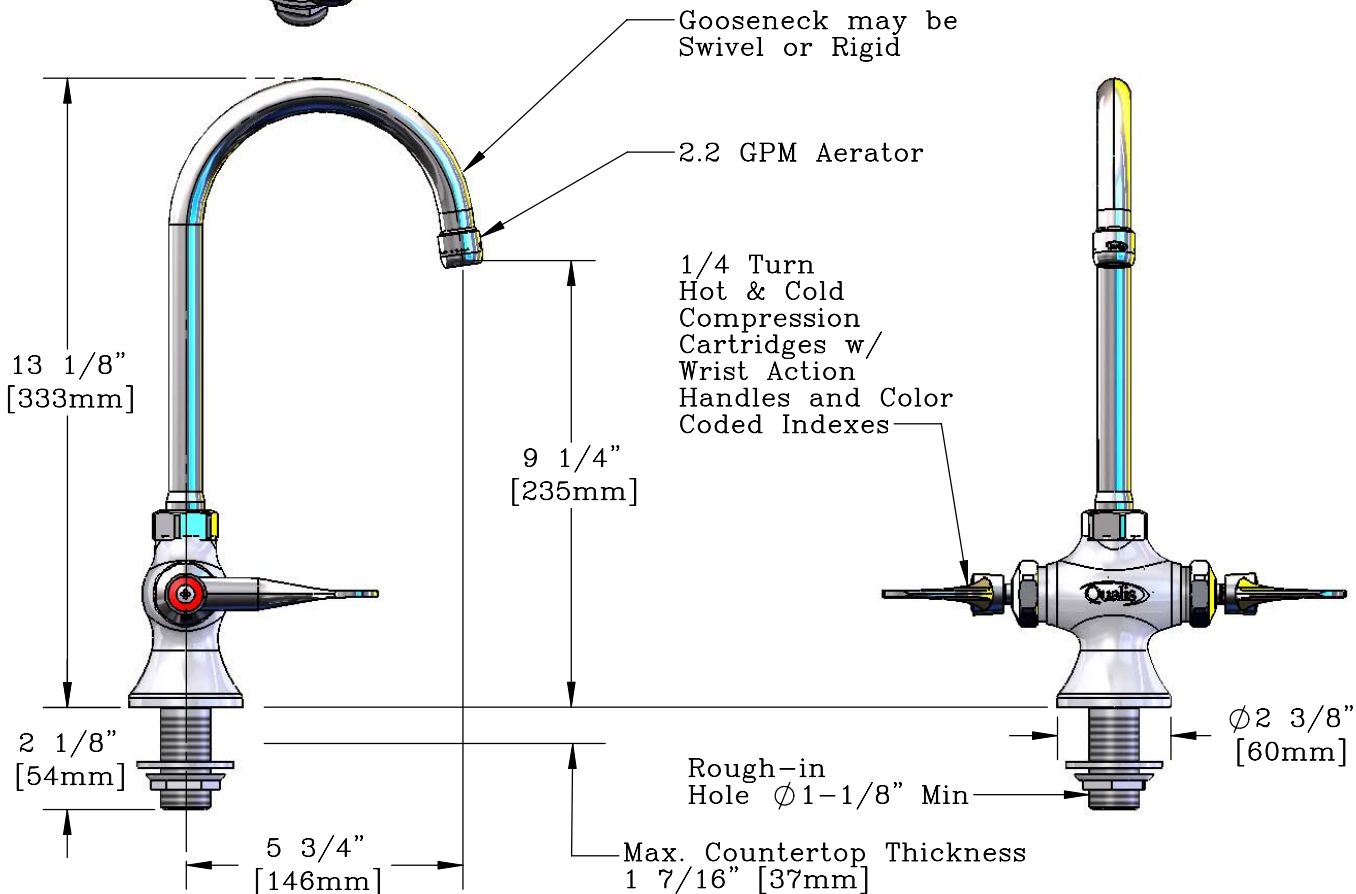
Customer/Wholesaler _____

Contractor _____

Architect/Engineer _____

Available Options

| Model Suffix # | Description |
|--------------------------------|---------------------------|
| <input type="checkbox"/> -5A | 2.2 GPM VR Aerator |
| <input type="checkbox"/> -5B | 0.5 GPM Aerator |
| <input type="checkbox"/> -5C | 0.5 GPM VR Aerator |
| <input type="checkbox"/> -5D | 2.2 GPM Laminar Flow |
| <input type="checkbox"/> | |
| <input type="checkbox"/> -VR5C | Complete VR Pkg (0.5 GPM) |
| <input type="checkbox"/> -VR5A | Complete VR Pkg (2.2 GPM) |
| <input type="checkbox"/> | |



Model Number Q-139WB

Date 06/18/08

Scale 1:4

Drawn JRM

Checked DHL

Approved JHB



Product Specifications:

Single Hole Deck Mount Mixing Faucet, Compression Cartridges, Wrist Action Handles, 5 3/4" Gooseneck (GN-B), 2.2 GPM Aerator



T&S BRASS AND BRONZE WORKS, INC.
2 Saddleback Cove, P.O. Box 1088
Travelers Rest, South Carolina 29690

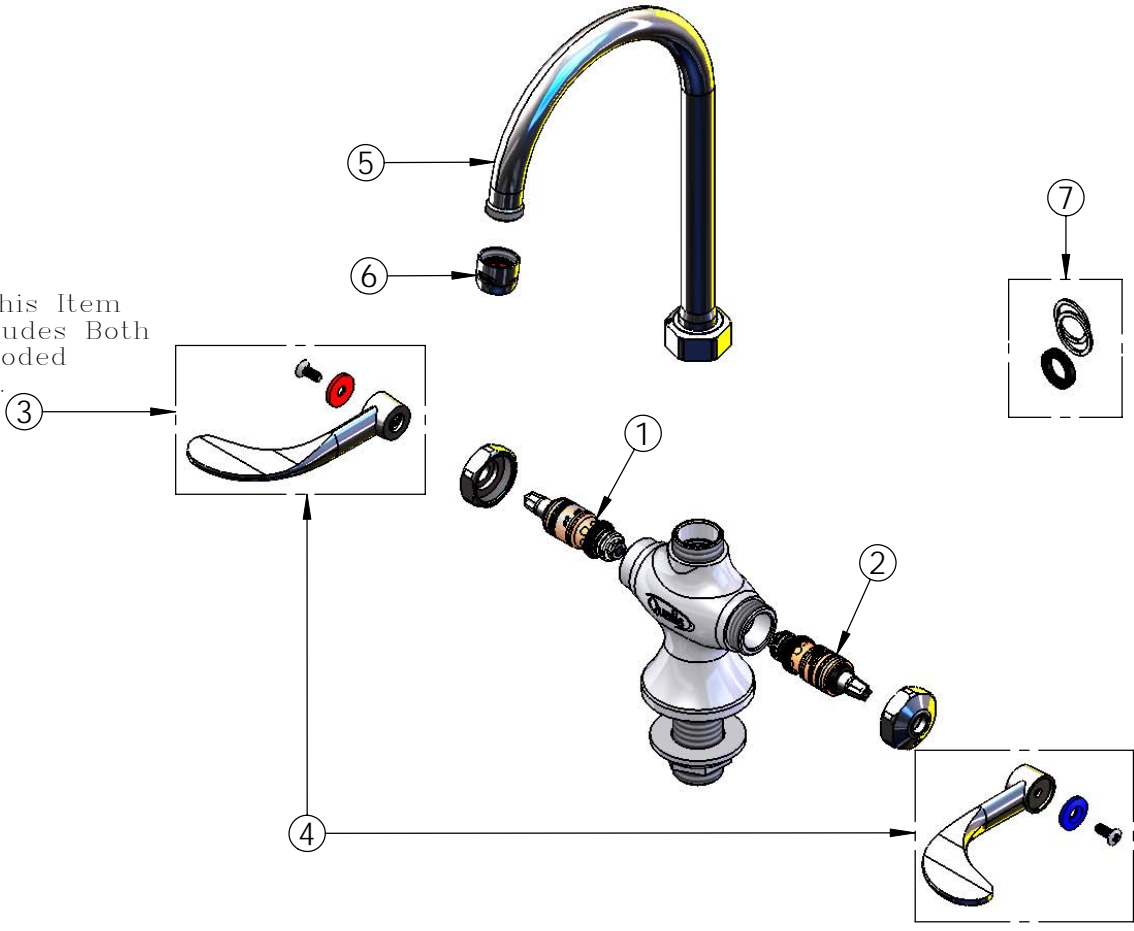
Phone: 800.476.4103 Fax: 800.834.3518, Simi Valley 800.423.0750



REG. #A2601
ISO #9001

| ITEM NO. | SALES NO. | DESCRIPTION |
|----------|------------|--------------------------------------|
| 1 | Q015387-40 | Standard Compression Cartridge, Hot |
| 2 | Q015388-40 | Standard Compression Cartridge, Cold |
| 3 | Q015975-40 | Wrist Action Handle, 1-Pack Kit |
| 4 | Q015974-40 | Wrist Action Handle, 2-Pack Kit |
| 5 | Q015378-40 | 5 3/4" Gooseneck (GN-B) |
| 6 | Q014986-45 | Aerator, Female, 2.2 GPM |
| 7 | Q016062-45 | GN Swivel/Rigid Kit |

Note: This Item Kit Includes Both Color Coded Indexes.



| | | | | | |
|-------------------------|------------------|--------------|--------------|----------------|-----------------|
| Model Number Q-139WB | Date 06/18/08 | Scale 1:4 | Drawn JRM | Checked DHL | Approved JHB |
|-------------------------|------------------|--------------|--------------|----------------|-----------------|



Product Specifications:
 Single Hole Deck Mount Mixing Faucet,
 Compression Cartridges, Wrist Action Handles,
 5 3/4" Gooseneck (GN-B), 2.2 GPM Aerator



T&S BRASS AND BRONZE WORKS, INC.
 2 Saddleback Cove, P.O. Box 1088
 Travelers Rest, South Carolina 29690
 Phone: 800.476.4103 Fax: 800.834.3518, Simi Valley 800.423.0750



REG. #A2601
 ISO #9001