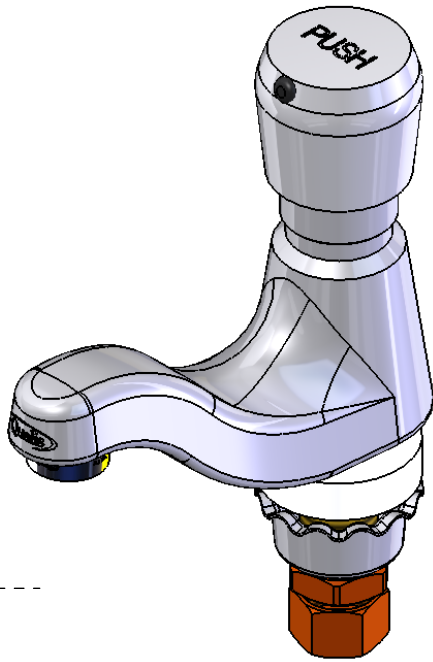




ADA COMPLIANT



This Space for Architect/Engineer Approval

Job Name _____ Date _____

Model Specified _____ Quantity _____

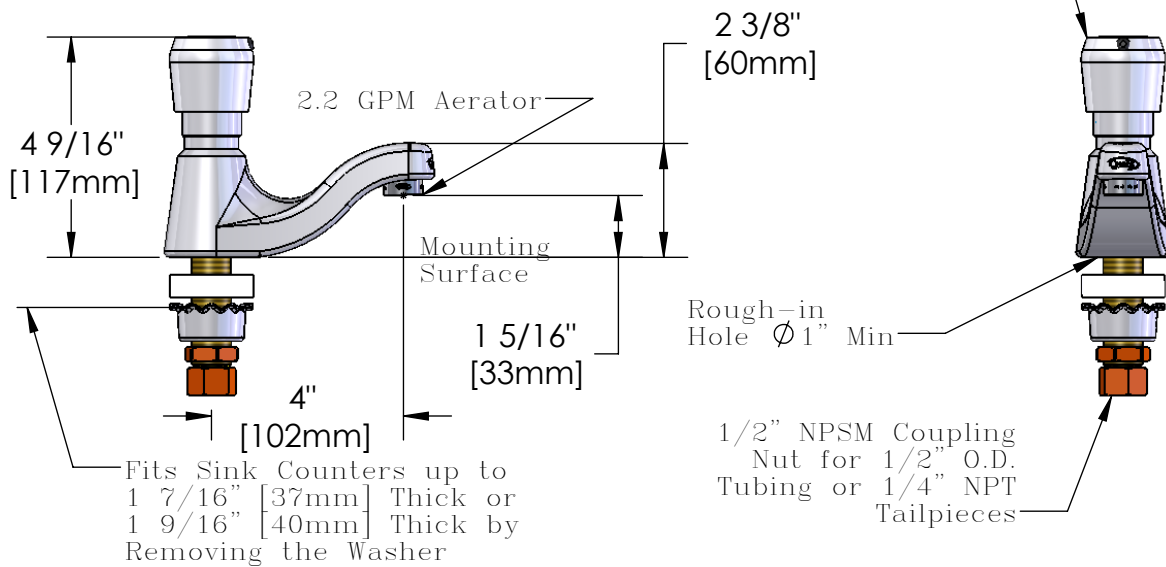
Customer/Wholesaler _____

Contractor _____

Architect/Engineer _____

Available Options

Model Suffix #	Description
<input type="checkbox"/> -5A	2.2 GPM VR Aerator
<input type="checkbox"/> -5B	0.5 GPM Aerator
<input type="checkbox"/> -5C	0.5 GPM VR Aerator
<input type="checkbox"/> -5D	2.2 GPM Laminar Flow
<input type="checkbox"/>	
<input type="checkbox"/> -VR5C	Complete VR Pkg (0.5 GPM)
<input type="checkbox"/> -VR5A	Complete VR Pkg (2.2 GPM)
<input type="checkbox"/>	



Metering Cartridge w/ Tempered Handle and 3 Color-Coded Indexes (Red & Blue Not Shown)

Model Number Q-147MZ	Date 04/04/08	Scale 1:4	Drawn JRM	Checked GEF	Approved JHB
--------------------------------	-------------------------	---------------------	---------------------	-----------------------	------------------------

Product Specifications:

**Basin Faucet,
Metering Cartridge, Tempered Handle,
& 2.2 GPM Aerator**



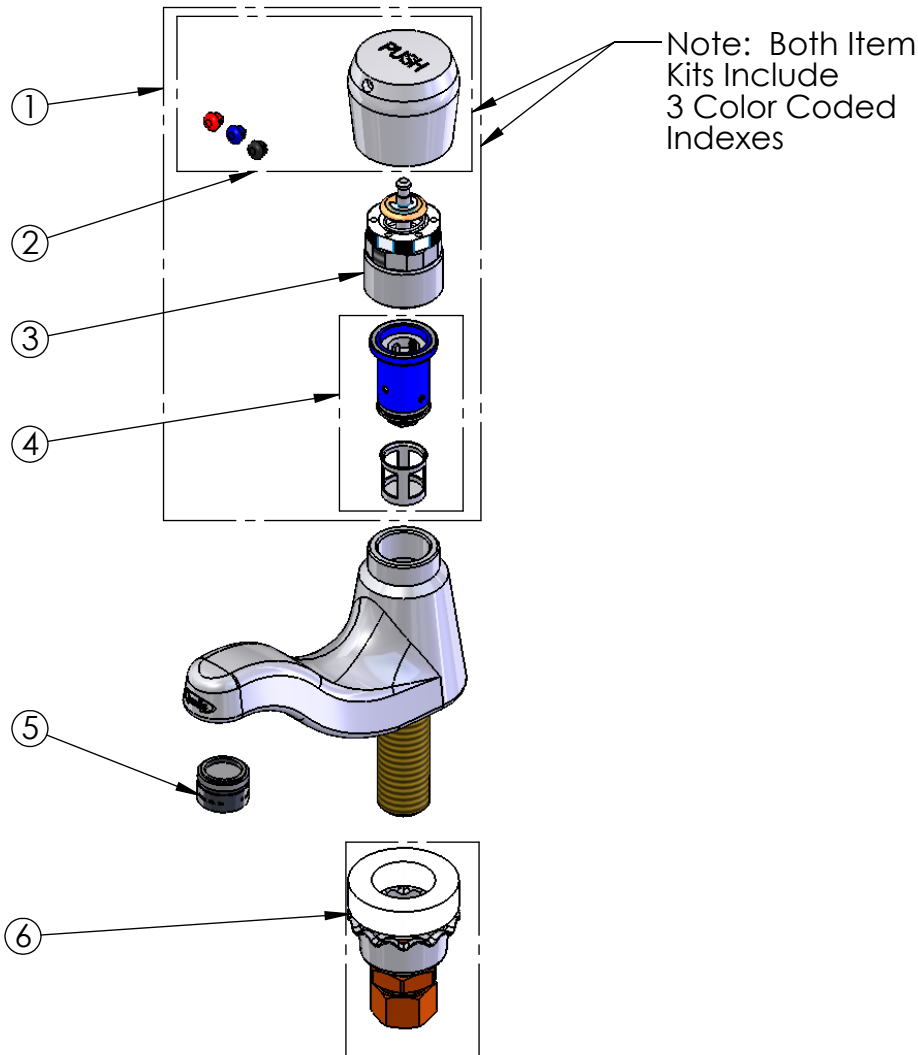
T&S BRASS AND BRONZE WORKS, INC.
2 Saddleback Cove, P.O. Box 1088
Travelers Rest, South Carolina 29690

Phone: 800.476.4103 Fax: 800.834.3518, Simi Valley 800.423.0750



REG. #A2601
ISO #9001

ITEM NO.	SALES NO.	DESCRIPTION
1	Q015993-40B	Complete Metering Assembly
2	Q016991-45	Tempered Handle w/Indexes
3	Q015991-40	Metering Cartridge Upper Repair Kit
4	Q015992-40	Lower Metering Assembly Kit
5	Q014985-45	2.2 GPM Male Aerator
6	Q015424-40	Shank Hardware



Model Number Q-147MZ	Date 04/04/08	Scale 1:4	Drawn JRM	Checked GEF	Approved JHB
-------------------------	------------------	--------------	--------------	----------------	-----------------



Product Specifications:

Basin Faucet,
Metering Cartridge, Tempered Handle,
& 2.2 GPM Aerator



T&S BRASS AND BRONZE WORKS, INC.
2 Saddleback Cove, P.O. Box 1088
Travelers Rest, South Carolina 29690
Phone: 800.476.4103 Fax: 800.834.3518, Simi Valley 800.423.0750



REG. #A2601
ISO #9001