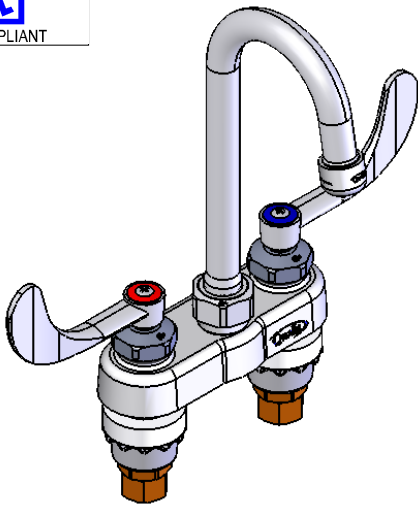




ADA COMPLIANT



This Space for Architect/Engineer Approval

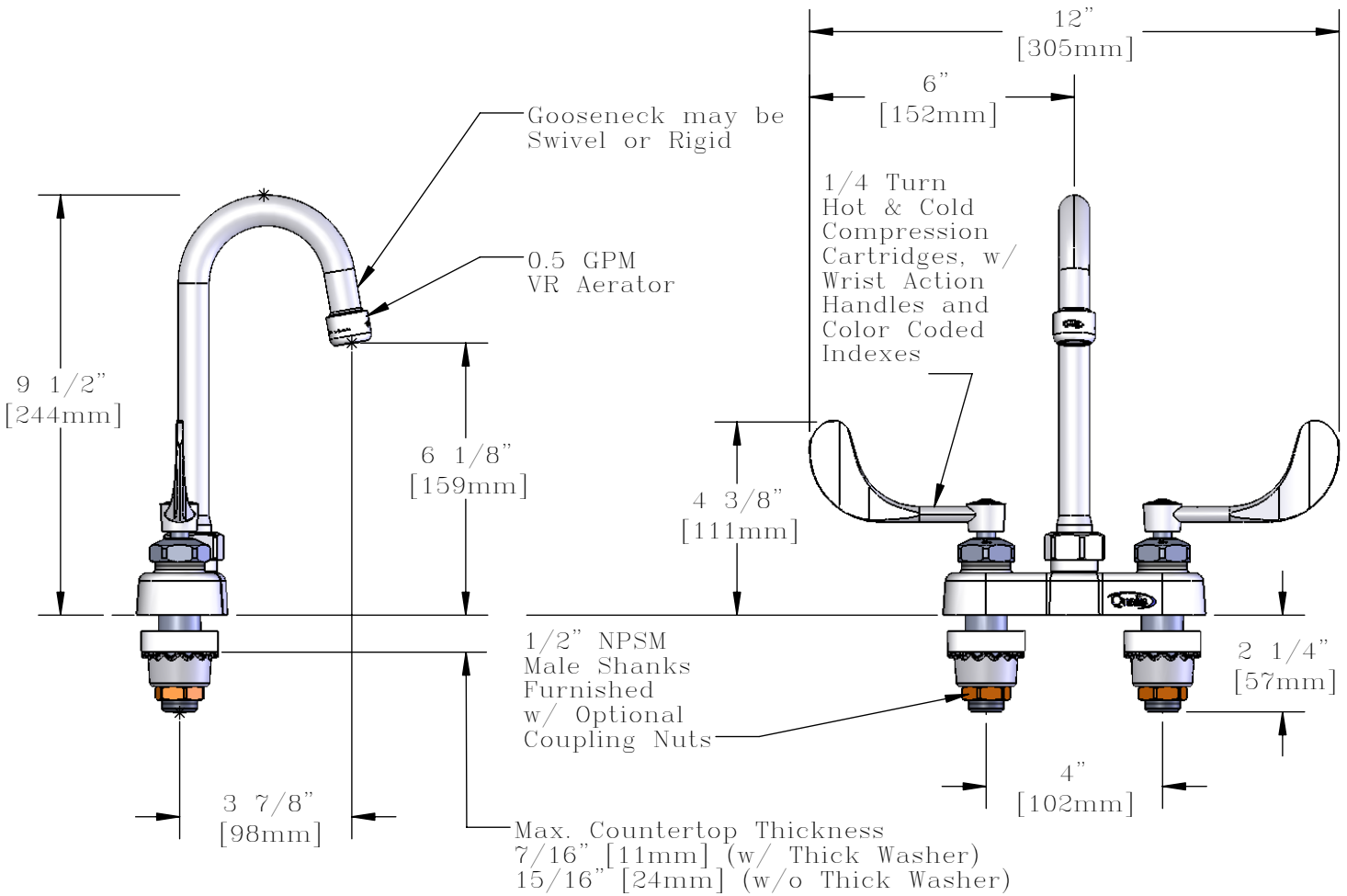
Job Name _____ Date _____

Model Specified _____ Quantity _____

Customer/Wholesaler _____

Contractor _____

Architect/Engineer _____



Model Number
Q-439WA-5C

Date
12/22/06

Scale
1:4

Drawn
DHL

Checked
GEF

Approved
JHB



Product Specifications:
4" Centerset Mixing Faucet, Compression Cartridges,
Wrist Action Handles, 3 1/2" Gooseneck (GN-A),
0.5 GPM VR Aerator



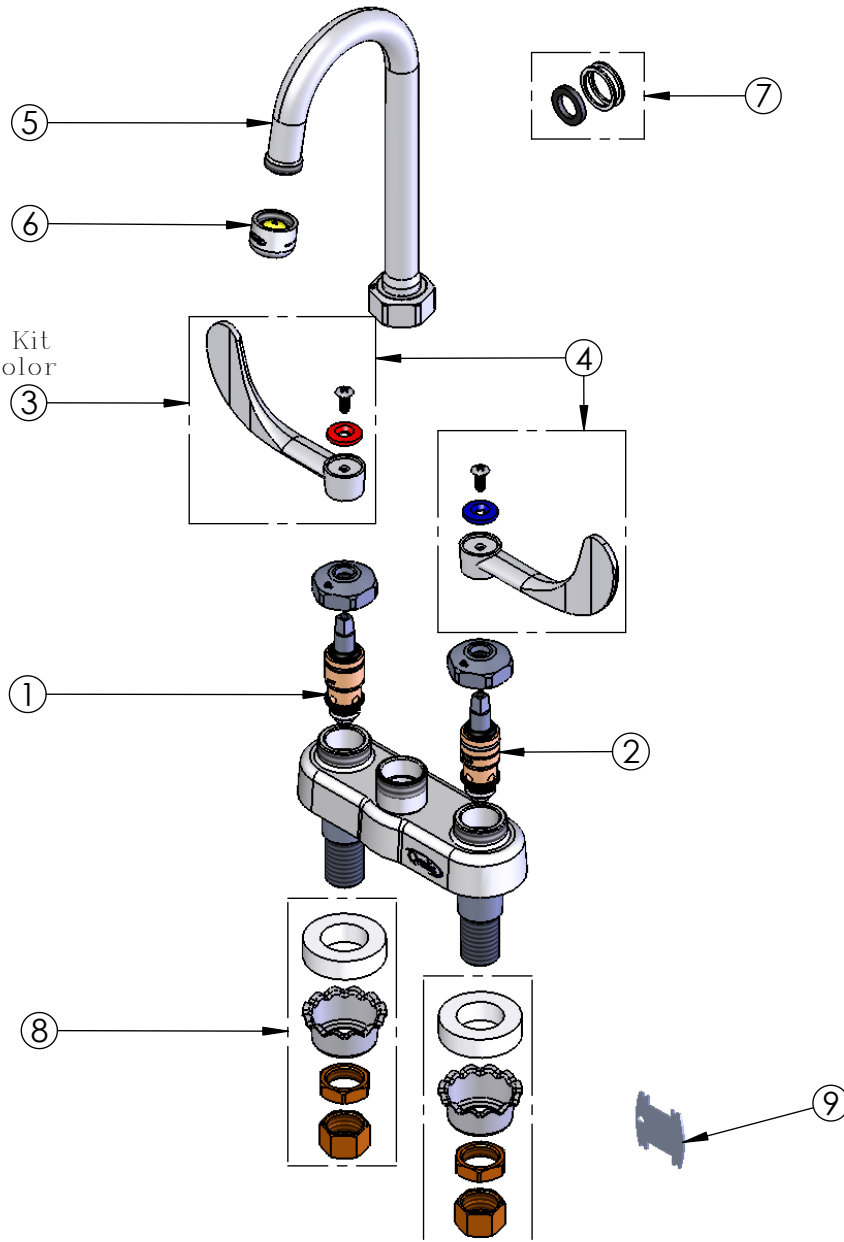
T&S BRASS AND BRONZE WORKS, INC.
2 Saddleback Cove, P.O. Box 1088
Travelers Rest, South Carolina 29690

Phone: 800.476.4103 Fax: 800.834.3518, Simi Valley 800.423.0750



REG. #A2601
ISO #9001

ITEM NO.	SALES NO.	DESCRIPTION
1	Q015387-40	Standard Compression Cartridge, Hot
2	Q015388-40	Standard Compression Cartridge, Cold
3	Q015975-40	Wrist Action Handle, 1-Pack Kit
4	Q015974-40	Wrist Action Handle, 2-Pack Kit
5	Q015379-40	3 1/2" Gooseneck (GN-A)
6	Q016071-45	Aerator, Female, 0.5 VR GPM
7	Q016062-45	GN Swivel/Rigid Kit
8	Q015424-40	Shank Hardware
9	Q015425-45	Vandal Resistant Key



Model Number
Q-439WA-5C

Date
12/22/06

Scale
1:4

Drawn
DHL

Checked
GEF

Approved
JHB



Product Specifications:
4" Centerset Mixing Faucet, Compression Cartridges,
Wrist Action Handles, 3 1/2" Gooseneck (GN-A),
0.5 GPM VR Aerator



T&S BRASS AND BRONZE WORKS, INC.
2 Saddleback Cove, P.O. Box 1088
Travelers Rest, South Carolina 29690

Phone: 800.476.4103 Fax: 800.834.3518, Simi Valley 800.423.0750



REG. #A2601
ISO #9001