

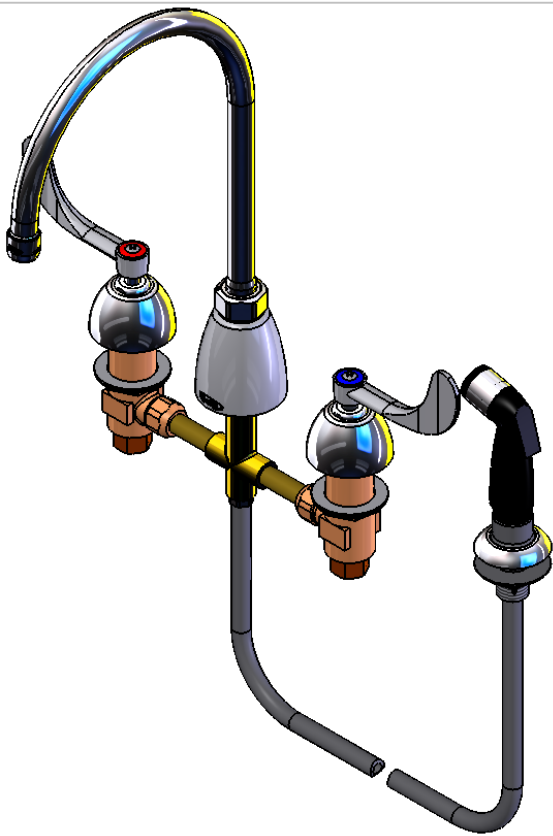


This Space for Architect/Engineer Approval

Job Name _____ Date _____
 Model Specified _____ Quantity _____
 Customer/Wholesaler _____
 Contractor _____
 Architect/Engineer _____

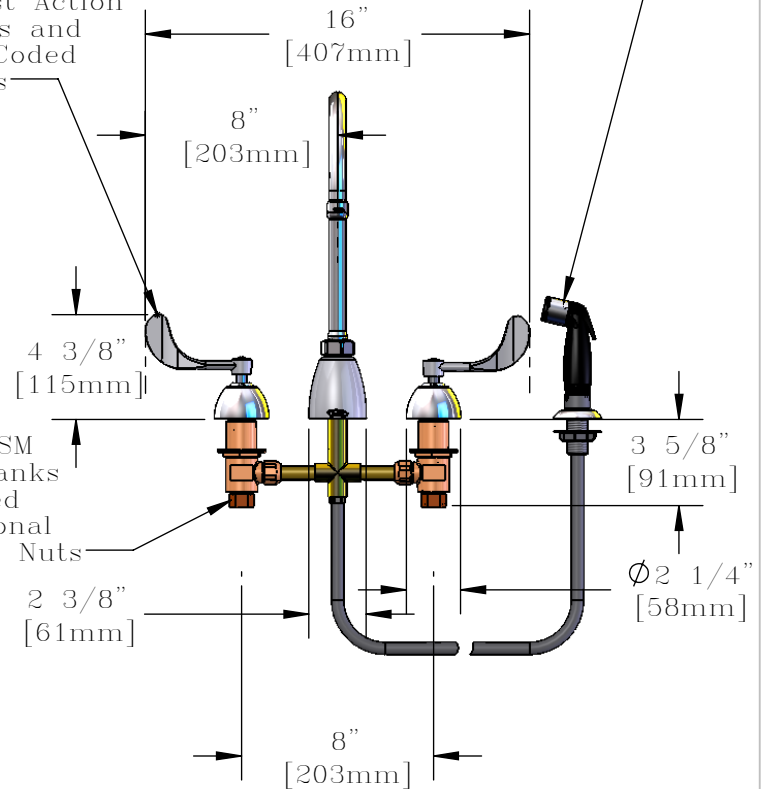
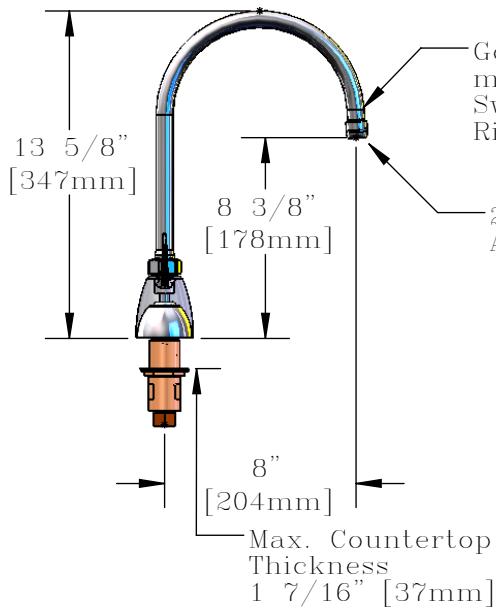
Available Options

Model Suffix #	Description
<input type="checkbox"/> -5A	2.2 GPM VR Aerator
<input type="checkbox"/> -5B	0.5 GPM Aerator
<input type="checkbox"/> -5C	0.5 GPM VR Aerator
<input type="checkbox"/> -5D	2.2 GPM Laminar Flow
<input type="checkbox"/> -VR5C	Complete VR Pkg (0.5 GPM)
<input type="checkbox"/> -VR5A	Complete VR Pkg (2.2 GPM)



1/4 Turn Hot & Cold Compression Cartridges w/ 4" Wrist Action Handles and Color Coded Indexes

Black & Chrome Side Spray w/ Automatic Diverter & 4' Under Counter Flexible Reinforced Hose.



Note: Rough-In Requirements
 (4) 01 1/2" [038mm] Holes
 (01 1/4" [032mm] Minimum)

Model Number Q-859WC-2B	Date 04/04/08	Scale 1:8	Drawn JRM	Checked GEF	Approved JHB
-----------------------------------	-------------------------	---------------------	---------------------	-----------------------	------------------------



Product Specifications:
8" Widespread Mixing Faucet, Compression Cartridges, Wrist Action Handles, 8" Gooseneck (GN-C), 2.2 GPM Aerator, & Sidespray



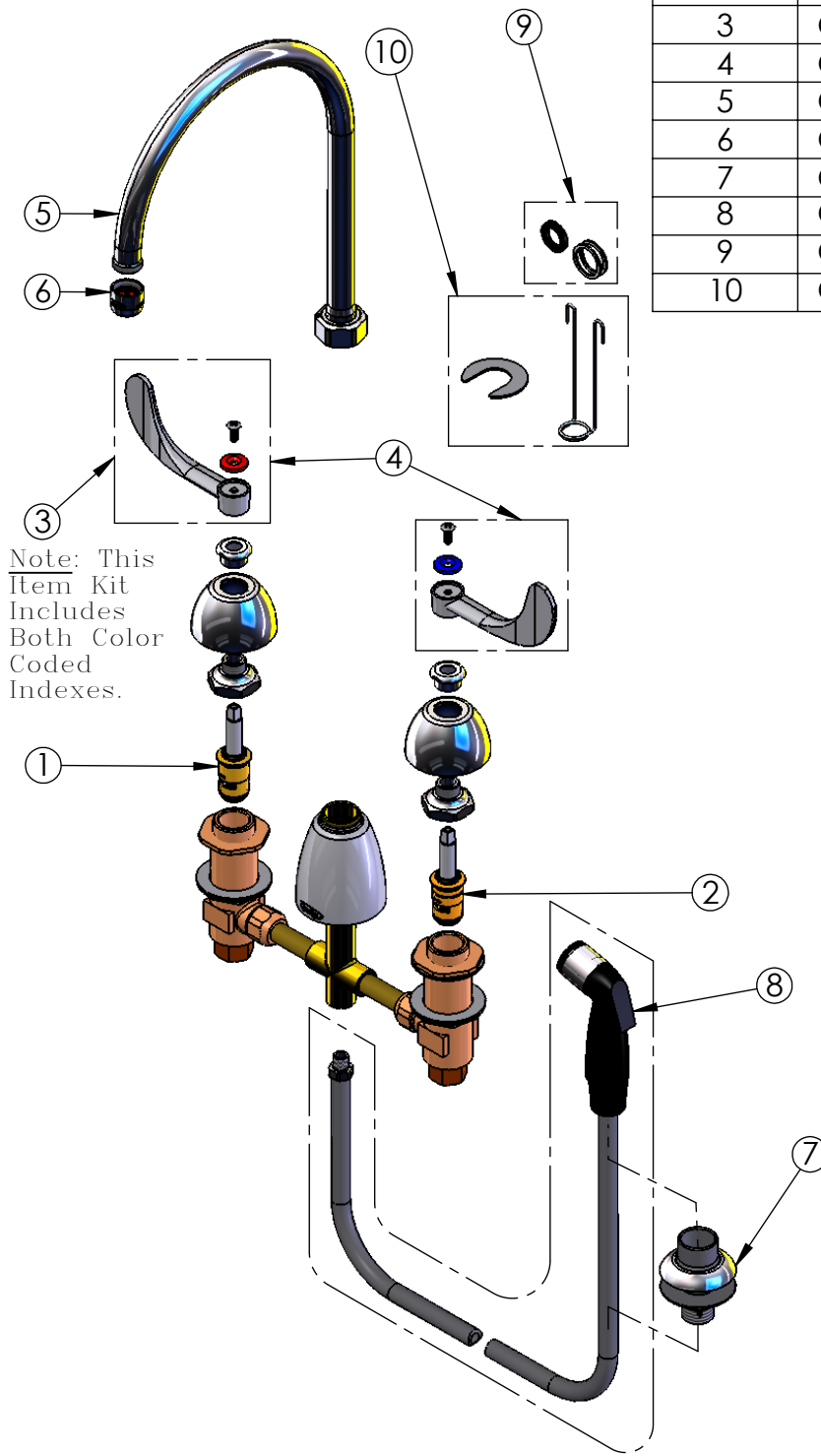
T&S BRASS AND BRONZE WORKS, INC.
 2 Saddleback Cove, P.O. Box 1088
 Travelers Rest, South Carolina 29690

Phone: 800.476.4103 Fax: 800.834.3518, Simi Valley 800.423.0750



REG. #A2601
 ISO #9001

ITEM NO.	SALES NO.	DESCRIPTION
1	Q015385-40	Long Ceramic Cartridge, Hot
2	Q015386-40	Long Ceramic Cartridge, Cold
3	Q015975-40	Wrist Action Handle, 1-Pack Kit
4	Q015974-40	Wrist Action Handle, 2-Pack Kit
5	Q015377-40	8" Gooseneck (GN-C)
6	Q014986-45	Aerator, Female, 2.2 GPM
7	Q001496-45	Hose Guide
8	Q001495-45	Sidespray
9	Q016062-45	GN Swivel/Rigid Kit
10	Q015984-45	Trim Installation Package



Model Number Q-859WC-2B	Date 04/04/08	Scale 1:4	Drawn JRM	Checked GEF	Approved JHB
----------------------------	------------------	--------------	--------------	----------------	-----------------



Product Specifications:
8" Widespread Mixing Faucet, Compression Cartridges, Wrist Action Handles, 8" Gooseneck (GN-C), 2.2 GPM Aerator, & Sidespray



T&S BRASS AND BRONZE WORKS, INC.
 2 Saddleback Cove, P.O. Box 1088
 Travelers Rest, South Carolina 29690
 Phone: 800.476.4103 Fax: 800.834.3518, Simi Valley 800.423.0750



REG. #A2601
 ISO #9001