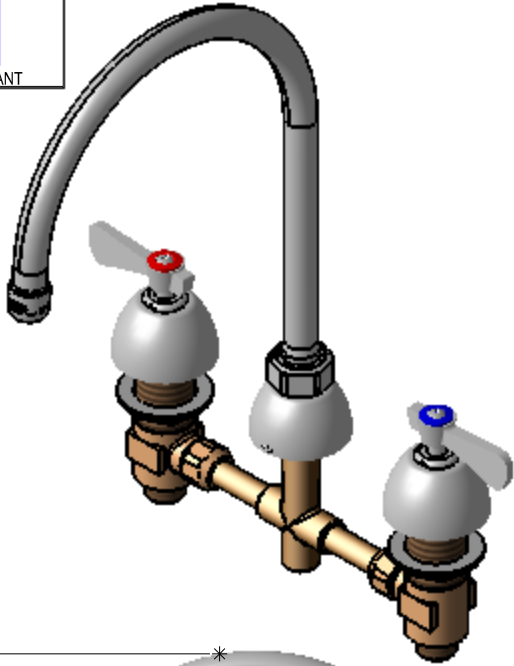




ADA COMPLIANT



This Space for Architect/Engineer Approval

Job Name _____ Date _____

Model Specified _____ Quantity _____

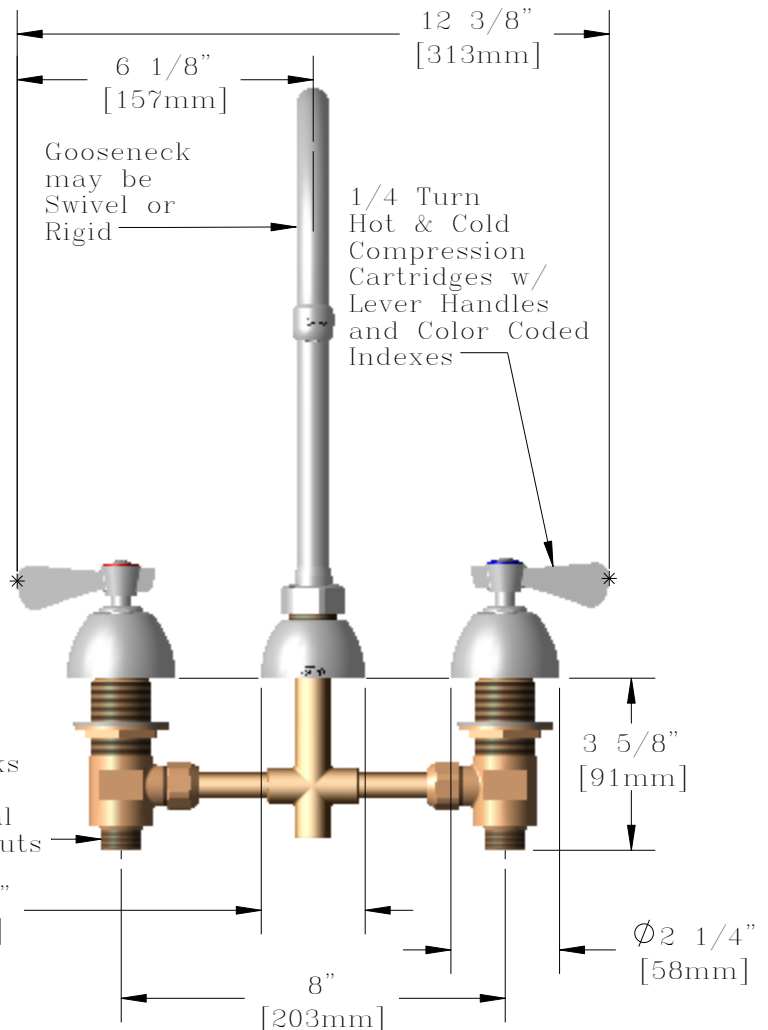
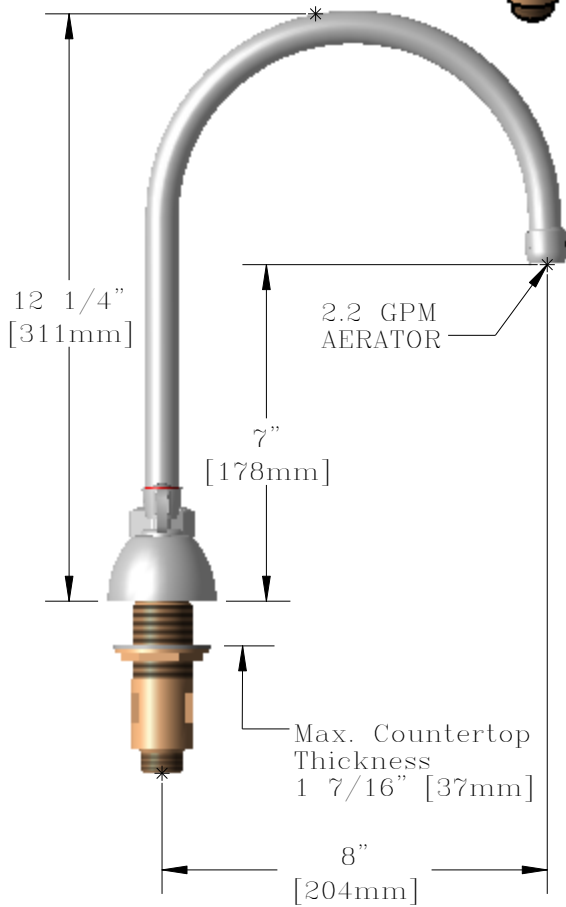
Customer/Wholesaler _____

Contractor _____

Architect/Engineer _____

Available Options

Model Suffix #	Description
<input type="checkbox"/> -5A	2.2 GPM VR Aerator
<input type="checkbox"/> -5B	0.5 GPM Aerator
<input type="checkbox"/> -5C	0.5 GPM VR Aerator
<input type="checkbox"/> -5D	2.2 GPM Laminar Flow
<input type="checkbox"/> -VR5C	Complete VR Pkg (0.5 GPM)
<input type="checkbox"/> -VR5A	Complete VR Pkg (2.2 GPM)



Model Number
Q-859YC

Date
10/23/2006

Scale
1:4

Drawn
DHL

Checked
JRM

Approved
JHB

Product Specifications:

8" Widespread Mixing Faucet, Compression Cartridges, Lever Handles, 8" Gooseneck (GN-C), 2.2 GPM Aerator



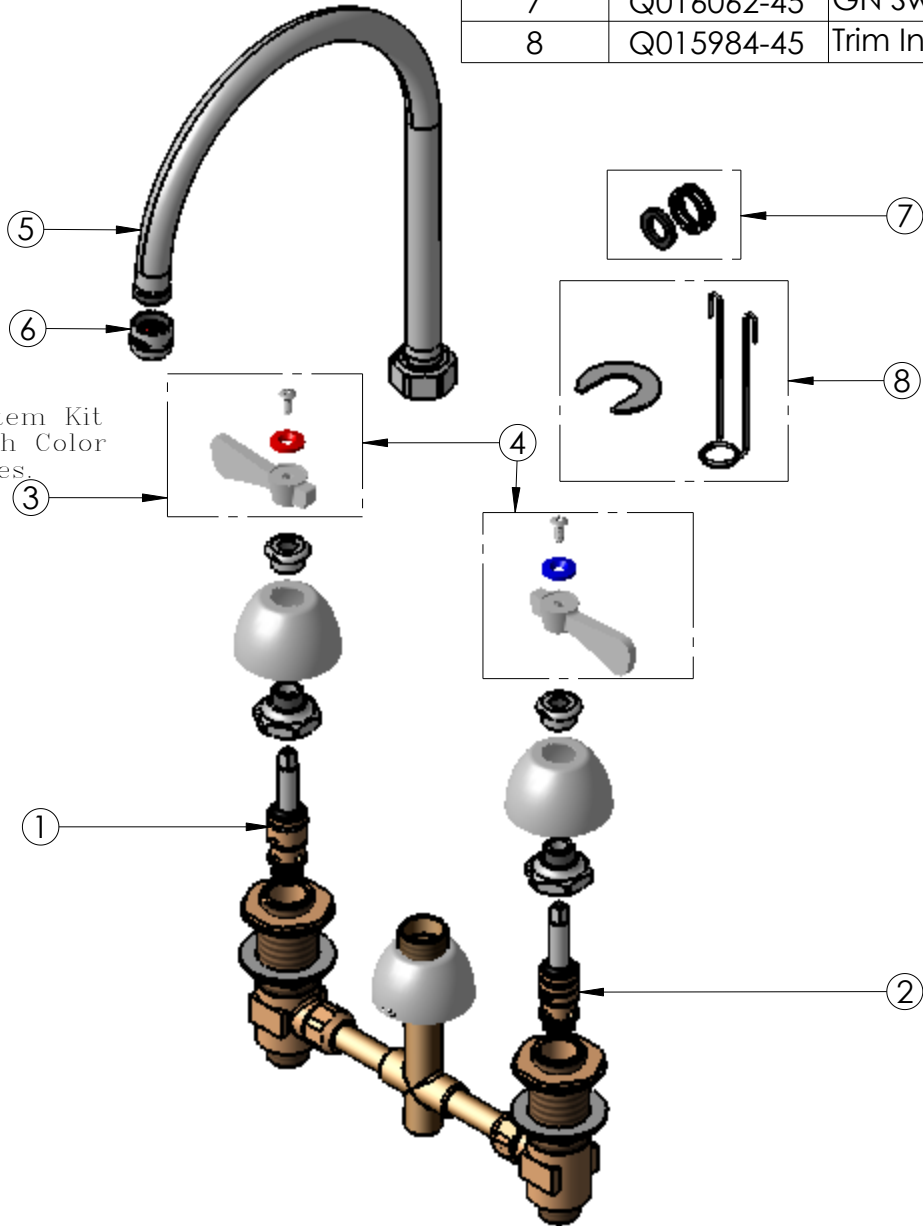
T&S BRASS AND BRONZE WORKS, INC.
2 Saddleback Cove, P.O. Box 1088
Travelers Rest, South Carolina 29690

Phone: 800.476.4103 Fax: 800.834.3518, Simi Valley 800.423.0750



REG. #A2601
ISO #9001

ITEM NO.	SALES NO.	DESCRIPTION
1	Q015389-40	Long Compression Cartridge, Hot
2	Q015390-40	Long Compression Cartridge, Cold
3	Q015973-40	Lever Handle, 1-Pack Kit
4	Q015972-40	Lever Handle, 2-Pack Kit
5	Q015377-40	8" Gooseneck (GN-C)
6	Q014986-45	Aerator, Female, 2.2 GPM
7	Q016062-45	GN Swivel/Rigid Kit
8	Q015984-45	Trim Installation Package



Note: This Item Kit Includes Both Color Coded Indexes.

Model Number Q-859YC	Date 10/23/2006	Scale 1:4	Drawn DHL	Checked JRM	Approved JHB
-------------------------	--------------------	--------------	--------------	----------------	-----------------

Qualis
by T&S

Product Specifications:

8" Widespread Mixing Faucet, Compression Cartridges, Lever Handles, 8" Gooseneck (GN-C), 2.2 GPM Aerator



T&S BRASS AND BRONZE WORKS, INC.
2 Saddleback Cove, P.O. Box 1088
Travelers Rest, South Carolina 29690

Phone: 800.476.4103 Fax: 800.834.3518, Simi Valley 800.423.0750



REG. #A2601
ISO #9001