



ADA COMPLIANT

This Space for Architect/Engineer Approval

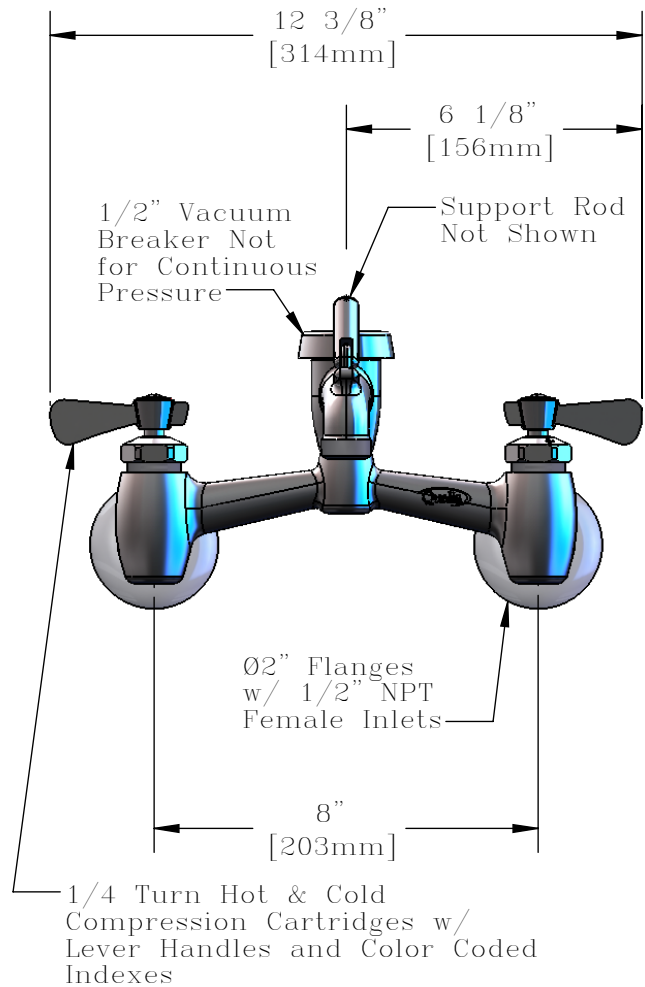
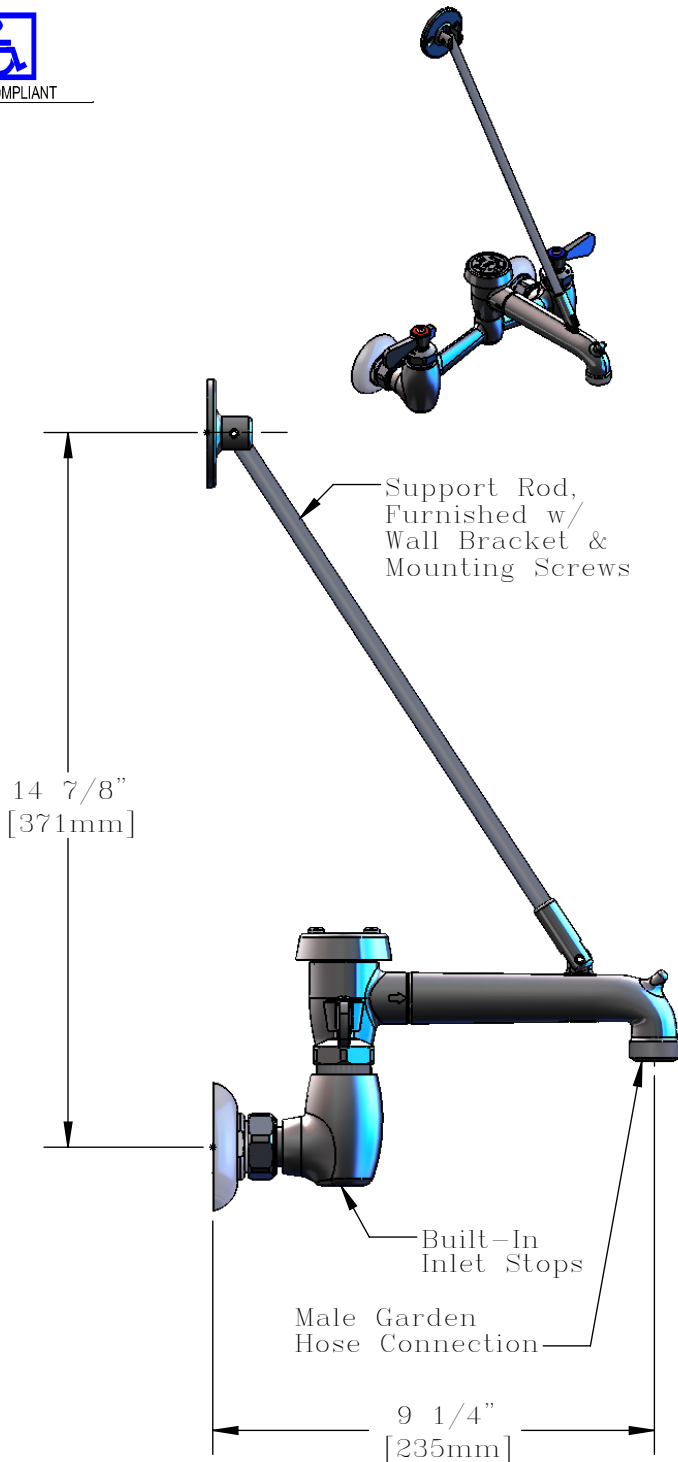
Job Name _____ Date _____

Model Specified _____ Quantity _____

Customer/Wholesaler _____

Contractor _____

Architect/Engineer _____



Model Number Q-939YT-R	Date 3/28/2008	Scale 1:4	Drawn DHL	Checked JRM	Approved JHB
---------------------------	-------------------	--------------	--------------	----------------	-----------------



Product Specifications:
Service Sink, Inlet Stops, Compression Cartridges, Lever Handles, Rough Chrome



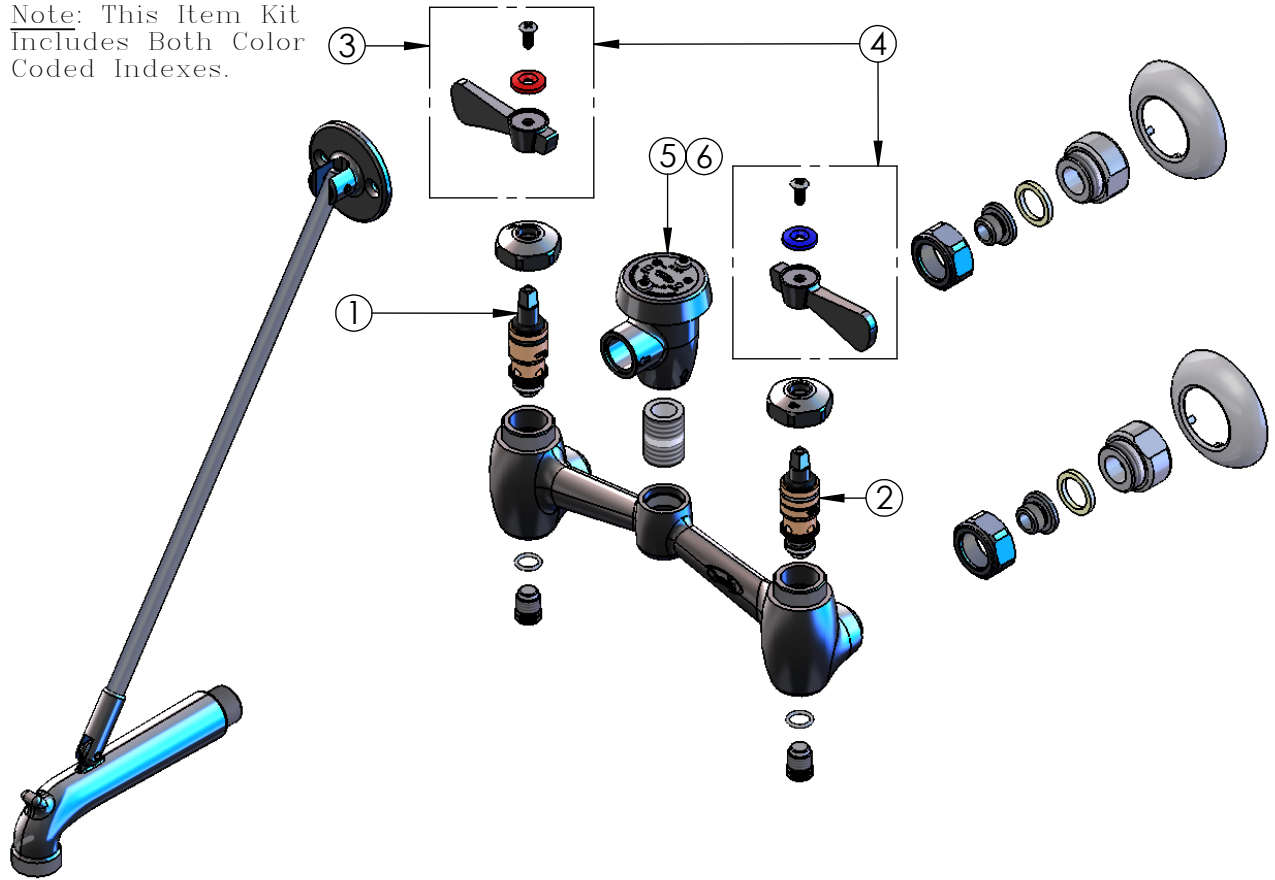
T&S BRASS AND BRONZE WORKS, INC.
2 Saddleback Cove, P.O. Box 1088
Travelers Rest, South Carolina 29690
Phone: 800.476.4103 Fax: 800.834.3518, Simi Valley 800.423.0750



REG. #A2601
ISO #9001

ITEM	SALES NO.	DESCRIPTION
1	Q015387-40	Standard Compression Cartridge, Hot
2	Q015388-40	Standard Compression Cartridge, Cold
3	Q015973-40	Lever Handle, 1-Pack Kit
4	Q015972-40	Lever Handle, 2-Pack Kit
5	Q015484-45	1/2" Vacuum Breaker- Qualis
6	Q012600-45	Repair Kit for 1/2" Vacuum Breaker

Note: This Item Kit Includes Both Color Coded Indexes.



Model Number
Q-939YT-R

Date
3/28/2008

Scale
1:4

Drawn
DHL

Checked
JRM

Approved
JHB

Qualis
by T&S

Product Specifications:

Service Sink, Inlet Stops, Compression Cartridges,
Lever Handles, Rough Chrome



T&S BRASS AND BRONZE WORKS, INC.
2 Saddleback Cove, P.O. Box 1088
Travelers Rest, South Carolina 29690

Phone: 800.476.4103 Fax: 800.834.3518, Simi Valley 800.423.0750



REG. #A2601
ISO #9001

SHEET: 2 of 2