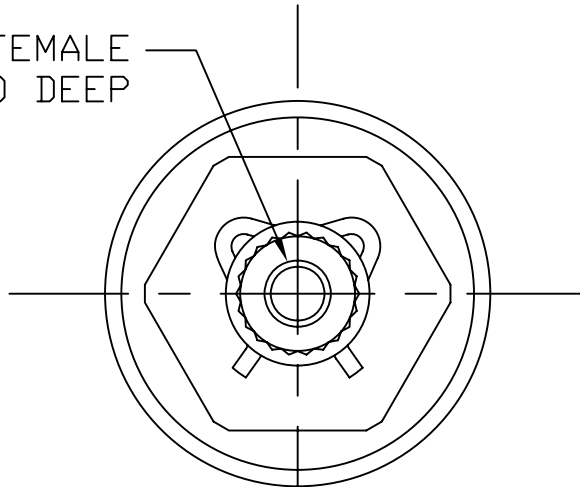


This Space For Architect/Engineer Approval
 Job Name _____ Date _____
 Model Specified _____ Quantity _____
 Customer/Wholesaler _____
 Contractor _____
 Architect/Engineer _____

M4 X .07 FEMALE
 THREAD, .50 DEEP

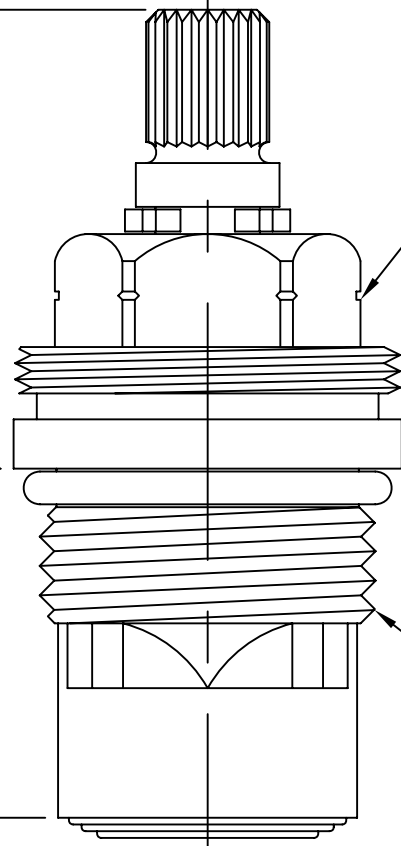


1.12 REF

.85 REF

NOTCH IDENTIFIES LTC
 (COLD) CARTRIDGE

1/2"-14 NPSM
 THREAD



MODEL NUMBER 013788-45

DATE 3/21/06

SCALE 2:1

DRAWN DHL

CHECKED WJS

APPROVED JHB



DESCRIPTION

CERAMIC CARTRIDGE, LEFT-TO-CLOSE

equip Foodservice Accessories
 P.O. BOX 1088, 2 SADDLEBACK COVE
 TRAVELERS REST, SOUTH CAROLINA 29690
 PHONE: 800.891.4808 FAX: 800.868.0084