

This Space For Architect/Engineer Approval

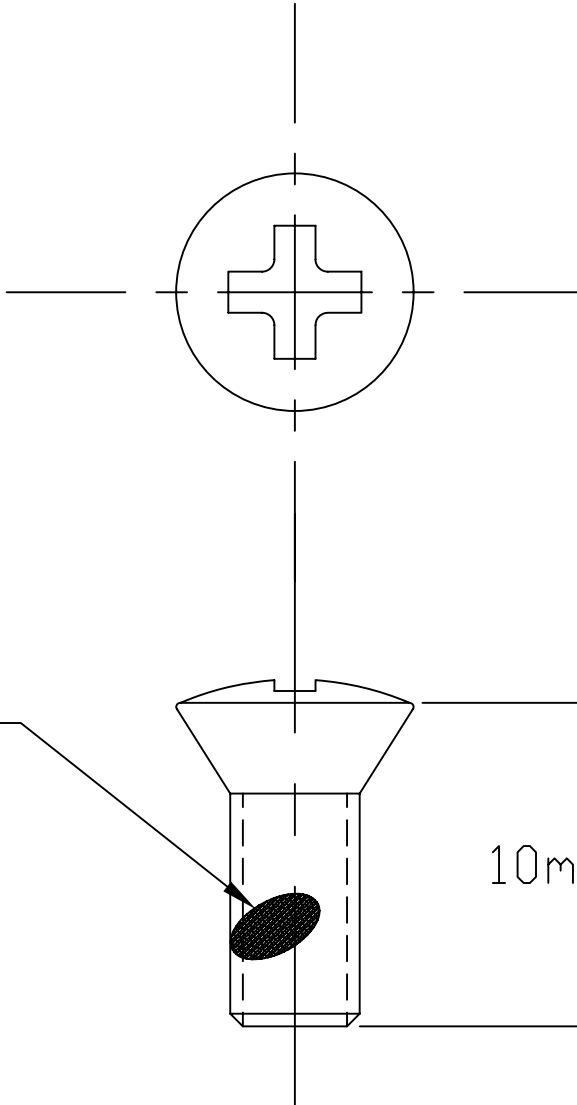
Job Name \_\_\_\_\_ Date \_\_\_\_\_

Model Specified \_\_\_\_\_ Quantity \_\_\_\_\_

Customer/Wholesaler \_\_\_\_\_

Contractor \_\_\_\_\_

Architect/Engineer \_\_\_\_\_



LOCKING  
PATCH

10mm [0.39"]

STAINLESS STEEL CSK SCREW, M4 X 0.7-6g X 10MM LONG

MODEL NUMBER 013849-45

DATE 3/21/06

SCALE 4:1

DRAWN DHL

CHECKED WJS

APPROVED JHB



DESCRIPTION

4mm SCREW  
PACKAGED 10 PER ORDER

equip Foodservice Accessories  
P.O. BOX 1088, 2 SADDLEBACK COVE  
TRAVELERS REST, SOUTH CAROLINA 29690  
PHONE: 800.891.4808 FAX: 800.868.0084