

T&S BRASS AND BRONZE WORKS, INC.

2 SADDLEBACK COVE / P.O. BOX 1088 / TRAVELERS REST, SC 29690

PHONE 800-476-4103

FAX 864-834-3518



REG. #A2601
ISO #9002

Model No.

B-0615

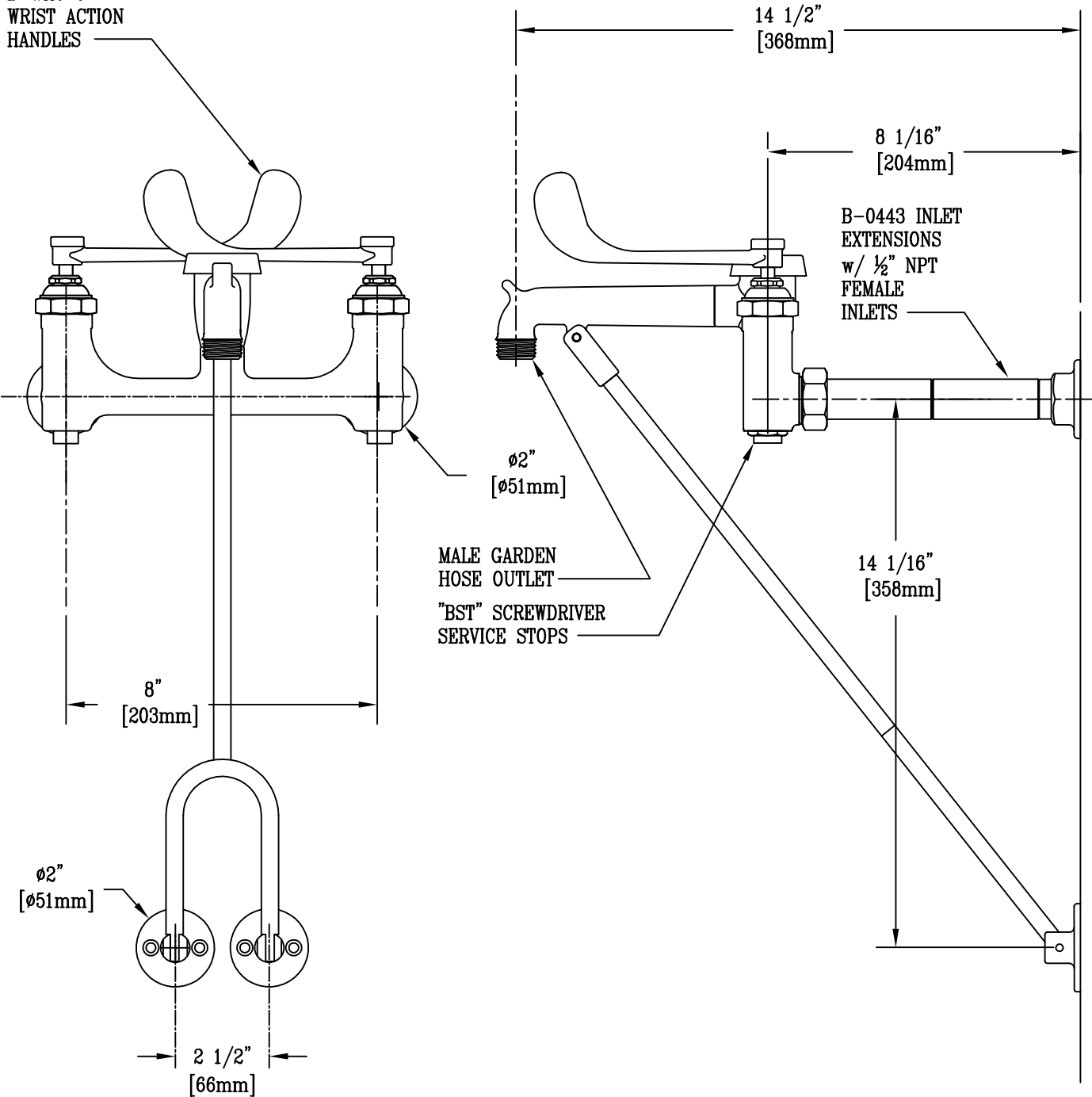
Item No.:

Job Name:

Architect/Engineer Approval:

Notes:

B-WH6 6"
WRIST ACTION
HANDLES



Product Description:

8" c/c Wall Mount Service Sink Fct w/ 1/2' NPT Inlet Extensions, Eterna Cartridges, 6" Wrist Action Handles, Vacuum Breaker, Bottom Wall Brace, Pail Hook

Drawn:

WJS

Checked

JRM

Scale:

1 : 4

Approved

JHB

Date:

7/29/06