



T&S BRASS AND BRONZE WORKS, INC.

2 SADDLEBACK COVE / P.O. BOX 1088 / TRAVELERS REST, SC 29690

PHONE 800-476-4103

FAX 803- 834-3518



REG.#A2601  
ISO #9002

Model No.

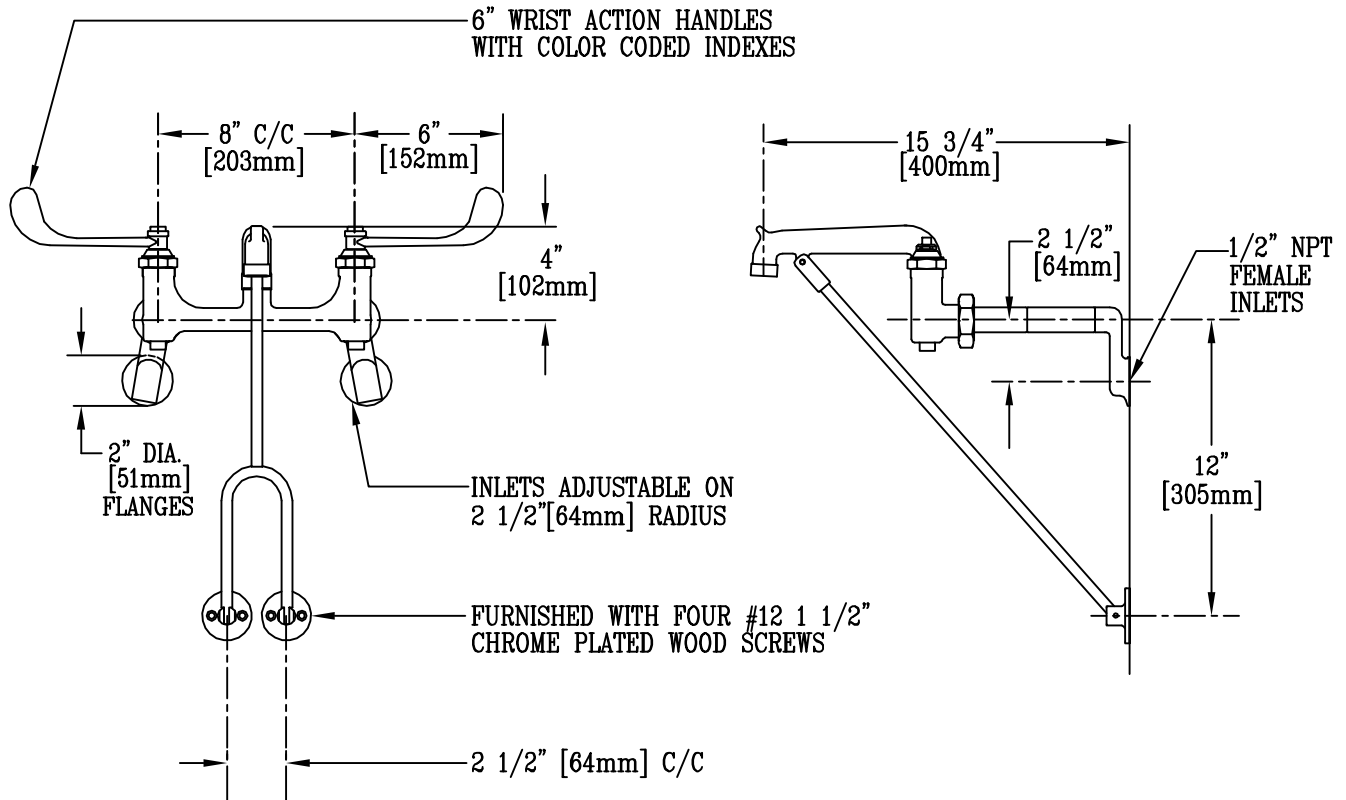
B-0652

Item No.:

Job Name:

Architect/Engineer Approval:

Notes:



Product Description:  
SERVICE SINK FAUCET WITH POLISHED CHROME FINISH,  
BUILT-IN STOPS, 6" WRIST ACTION HANDLES,  
ADJUSTABLE INLETS, & 1/2" NPT INLETS

Drawn:

WJS

Checked

MW

Scale:

1.5" = 1'

Approved

CA

Date:

11/22/95