



T&S BRASS AND BRONZE WORKS, INC.  
 2 SADDLEBACK COVE / P.O. BOX 1088 / TRAVELERS REST, SC 29690  
 PHONE 800-476-4103 FAX 803-834-3518



Model No.

B-0670-POL

Item No.:

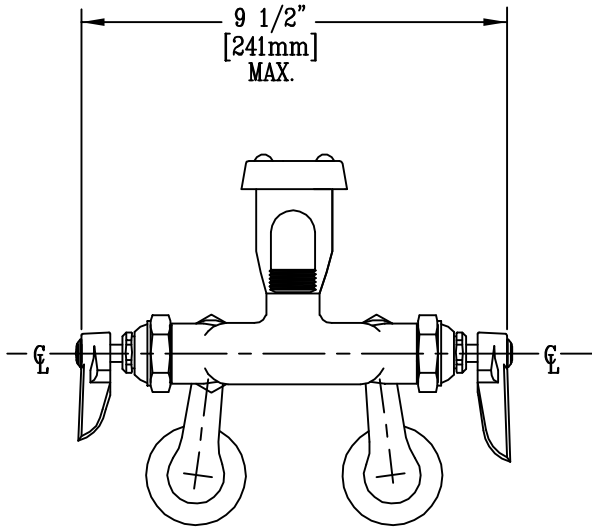
Job Name:

Architect/Engineer Approval:

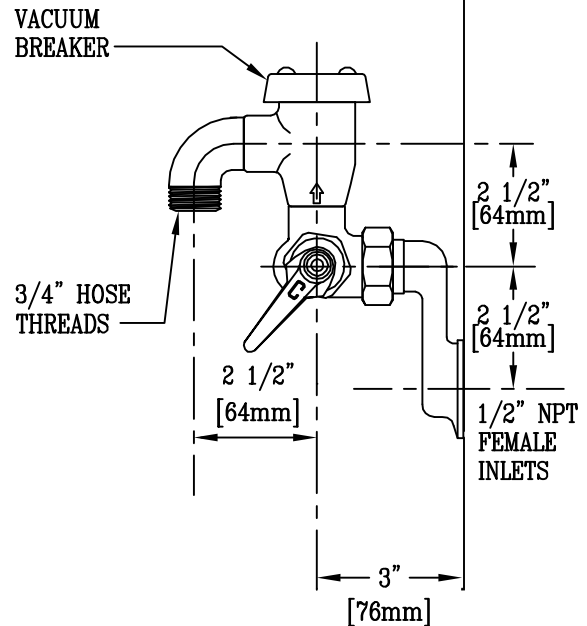
Notes:



ADA COMPLIANT



INLETS ADJUSTABLE FROM  
 2 1/4" TO 8 1/4" C/C  
 BELOW OR ABOVE  $\phi$



Product Description:

SERVICE SINK FAUCET WITH POLISHED CHROME FINISH, VACUUM BREAKER, AND ADJUSTABLE INLET ARMS, & 3/4" GARDEN HOSE THREAD OUTLET

Drawn:

WJS

Checked:

MWR

Scale:

3" = 1'

Approved

CA

Date:

11-7-95