



T&S BRASS AND BRONZE WORKS, INC.  
 2 SADDLEBACK COVE / P.O. BOX 1088 / TRAVELERS REST, SC 29690  
 PHONE 800-476-4103 FAX 803- 834-3518



Model No.

B-0697-ST

Item No.:

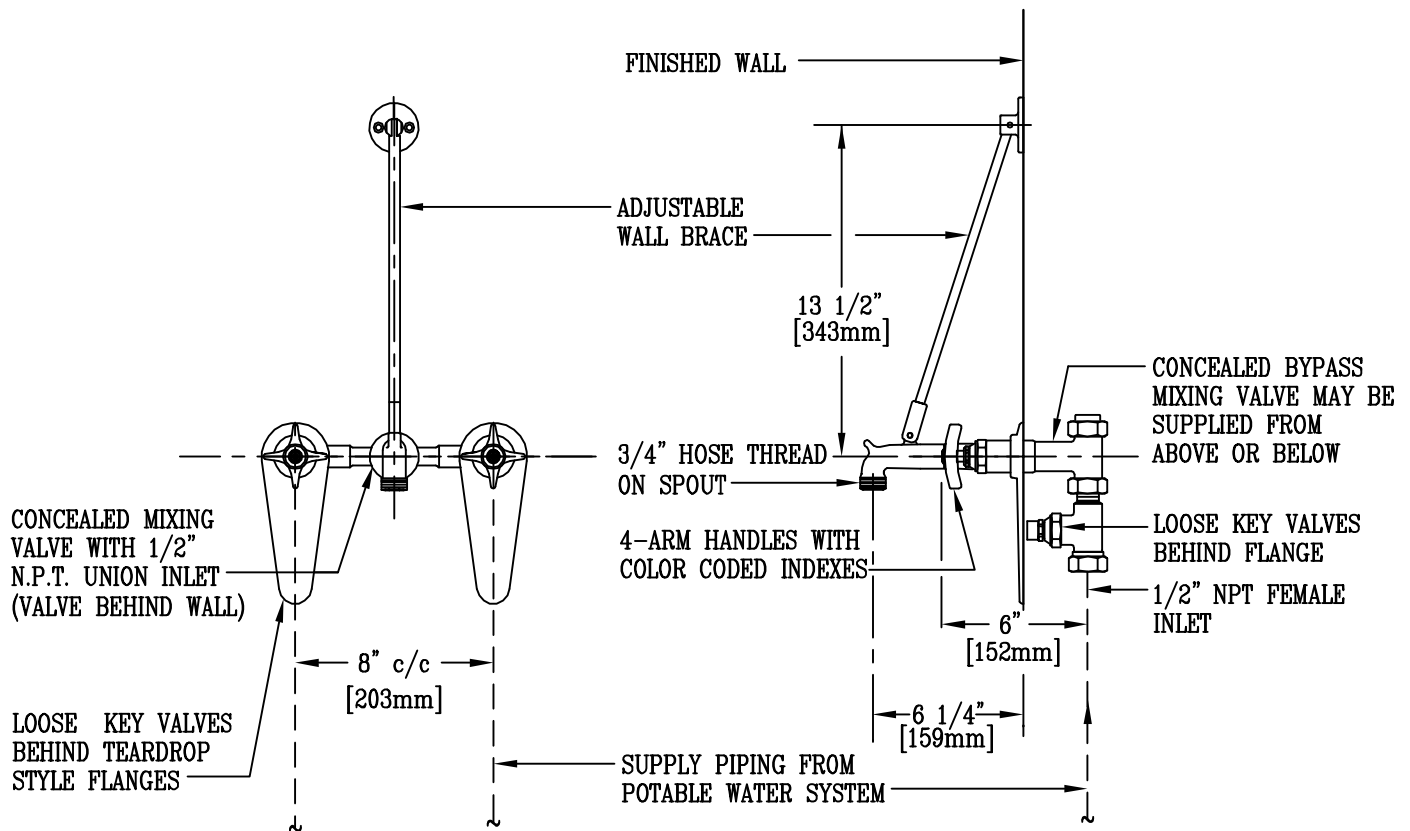
Job Name:

Architect/Engineer Approval:

Notes:



ADA COMPLIANT



Product Description:

SERVICE SINK FAUCET WITH CONCEALED BYPASS MIXING VALVE, INTEGRAL STOPS, WALL BRACE, & 3/4" GARDEN HOSE THREAD OUTLET

Drawn:

WJS

Checked

ARY

Scale:

1.5" = 1'

Approved

CA

Date:

8/8/95