



T&S BRASS AND BRONZE WORKS, INC.

2 SADDLEBACK COVE / P.O. BOX 1088 / TRAVELERS REST, SC 29690

PHONE 800-476-4103

FAX 864-834-3518



REG. #A2601
ISO #9002

Model No.

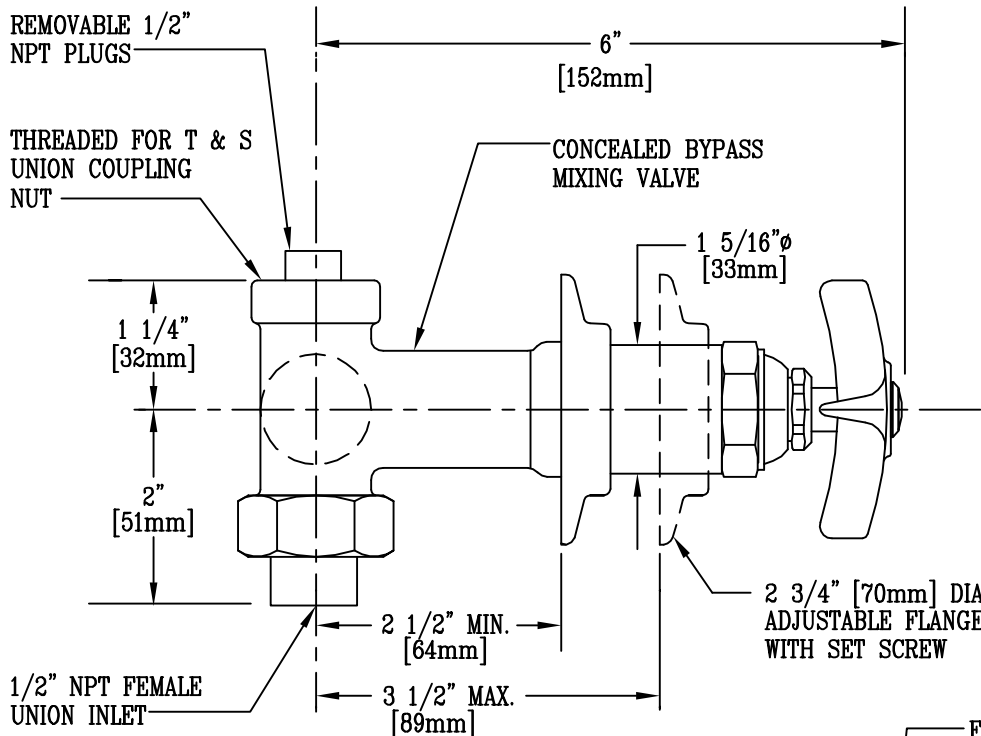
B-1035

Item No.:

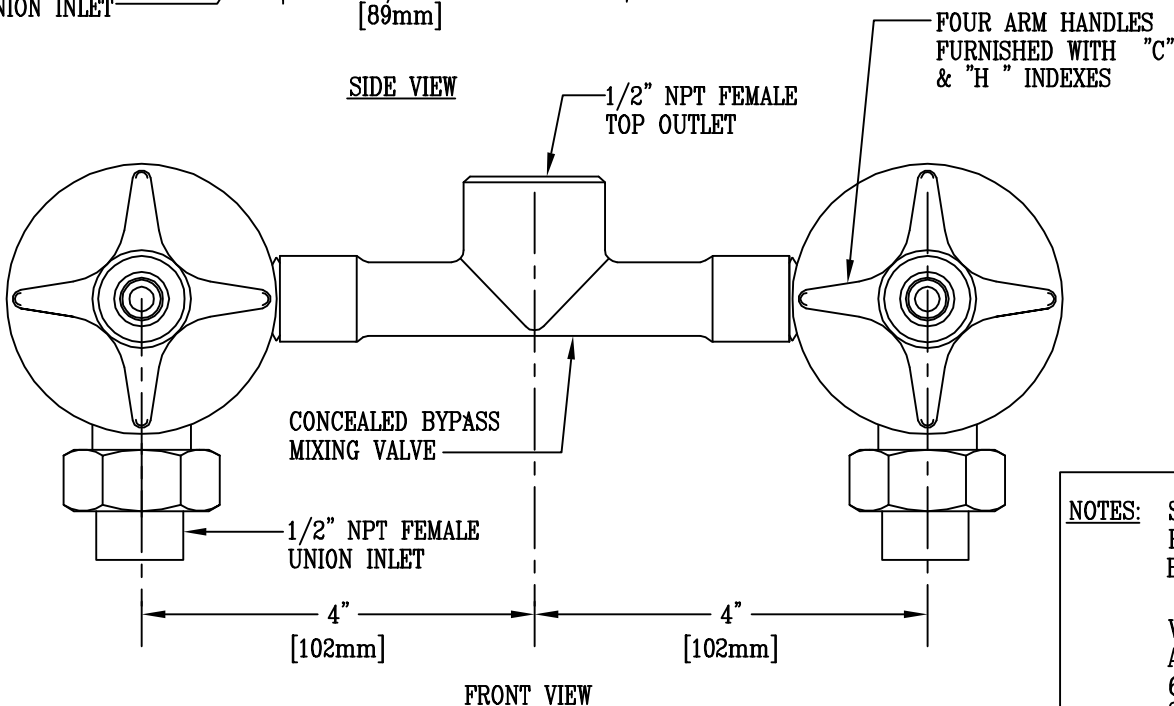
Job Name:

Architect/Engineer Approval:

Notes:



ADA COMPLIANT



NOTES: SUPPLY MAY BE FROM ABOVE OR BELOW

VALVE ALSO AVAILABLE ON 6" C/C INLETS. SPECIFY.

Product Description:

CONCEALED BYPASS MIXING VALVE WITH 1/2" NPT FEMALE INLETS, 1/2" NPT FEMALE OUTLET, & FOUR ARM HANDLES

Drawn:

WJS

Checked:

SCM

Scale:

6" = 1'

Approved:

CA

Date:

8/11/95