



**T&S BRASS AND BRONZE WORKS, INC.**  
 2 SADDLEBACK COVE / P.O. BOX 1088 / TRAVELERS REST, SC 29690  
 PHONE 800-476-4103 FAX 864-834-3518



Model No.

B-1060-ST

Item No.:

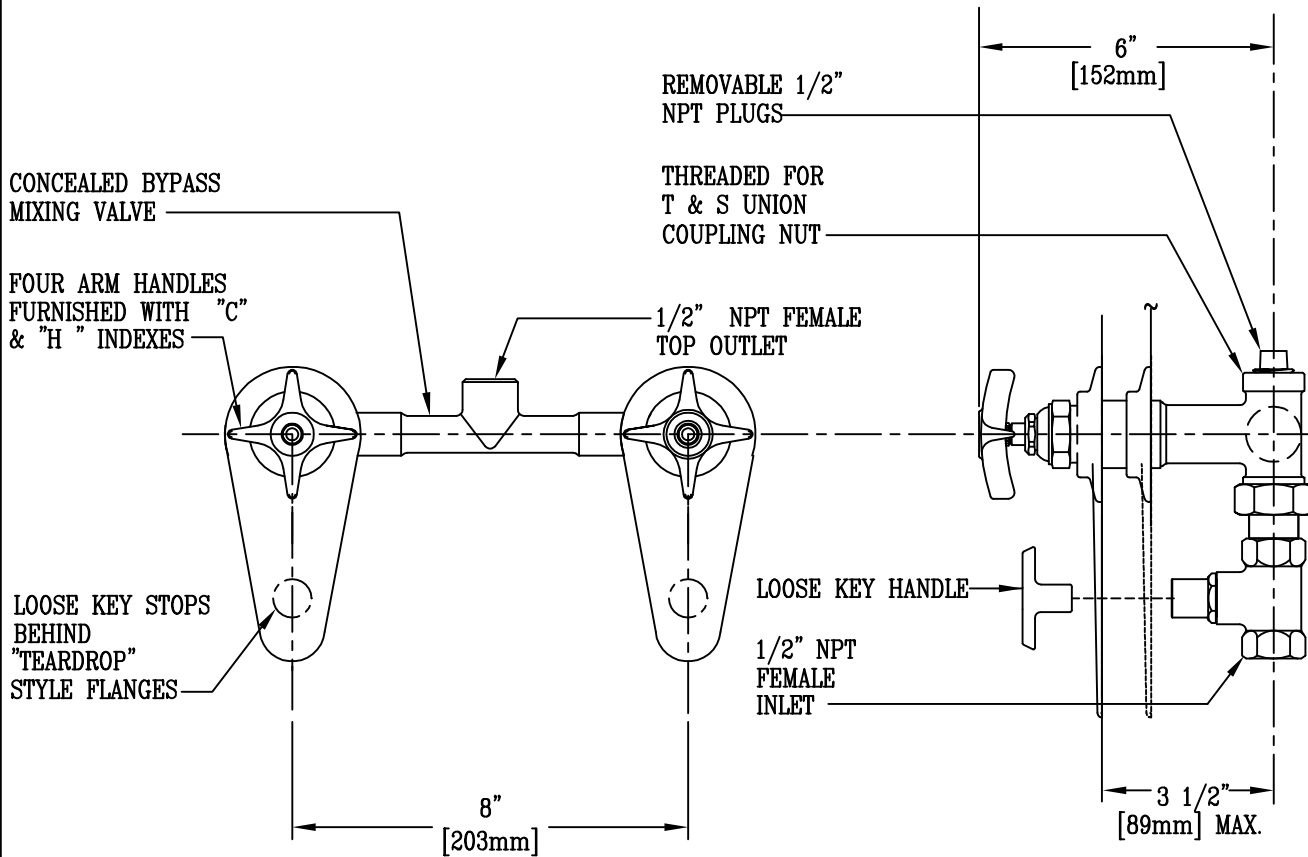
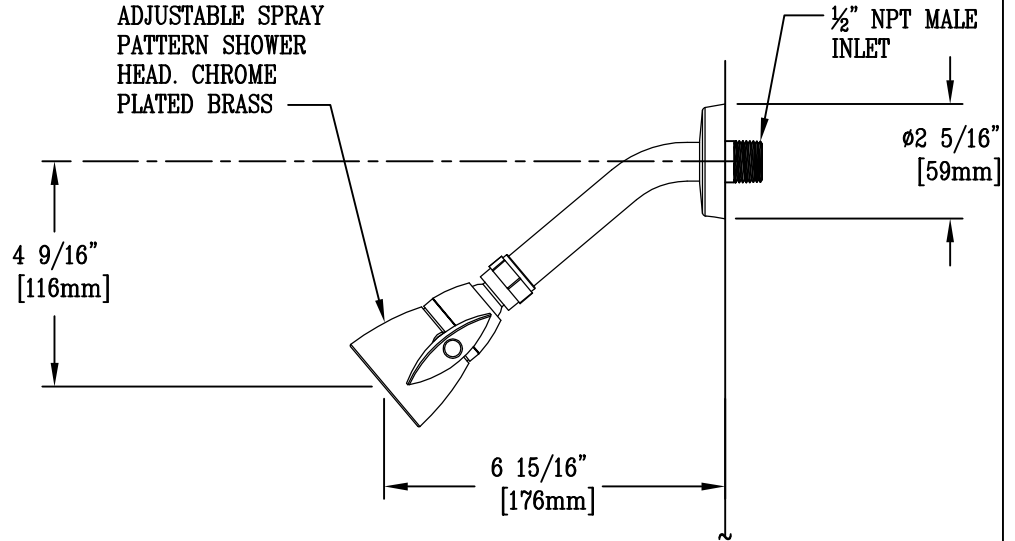
Job Name:

Architect/Engineer Approval:

Notes:



ADA COMPLIANT



Product Description:  
 CONCEALED BYPASS MIXING VALVE WITH B-1060  
 1/2" NPT FEMALE INLETS & OUTLET, 4-ARM HANDLES,  
 ADJUSTABLE SHOWER HEAD, LOOSE KEY STOPS

Drawn:

WJS

Checked

GEF

Scale:

1 : 4

Approved

JHB

Date:

8/9/06