



T&S BRASS AND BRONZE WORKS, INC.
 2 SADDLEBACK COVE / P.O. BOX 1088 / TRAVELERS REST, SC 29690
 PHONE 800-476-4103 FAX 864-834-3518



Model No.

B-1071

Item No.:

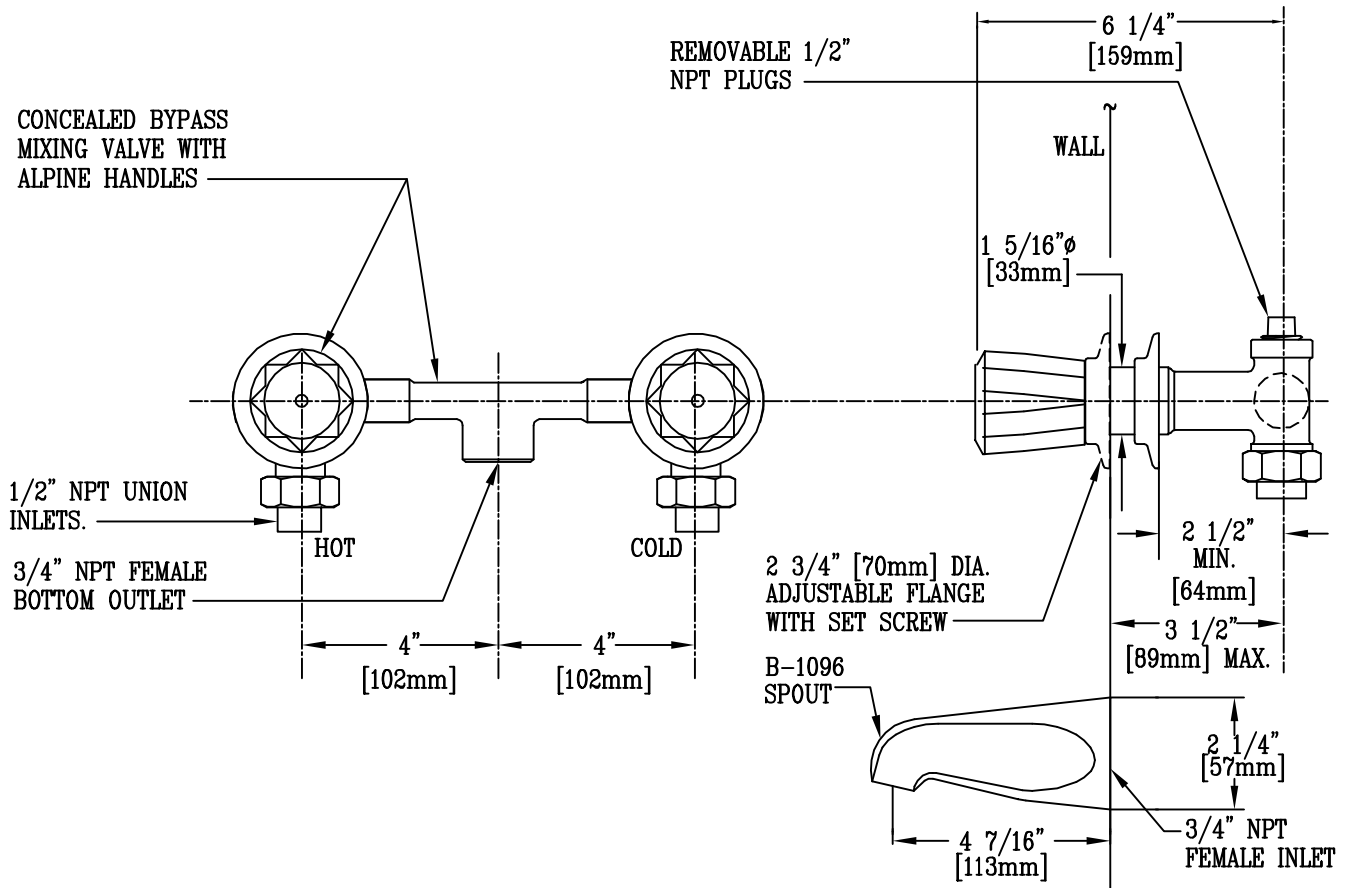
Job Name:

Architect/Engineer Approval:

Notes:



ADA COMPLIANT



Product Description:
 CONCEALED BYPASS MIXING VALVE WITH 1/2" NPT INLETS, 3/4" NPT FEMALE OUTLET, ALPINE HANDLES, AND TUB SPOUT

Drawn:

WJS

Approved

CA

Checked

ARY

Scale:

3" = 1'

Date:

2-19-97