



T&S BRASS AND BRONZE WORKS, INC.

2 SADDLEBACK COVE / P.O. BOX 1088 / TRAVELERS REST, SC 29690

PHONE 800-476-4103

FAX 864-834-3518



REG.#A2601
ISO #9002

Model No.

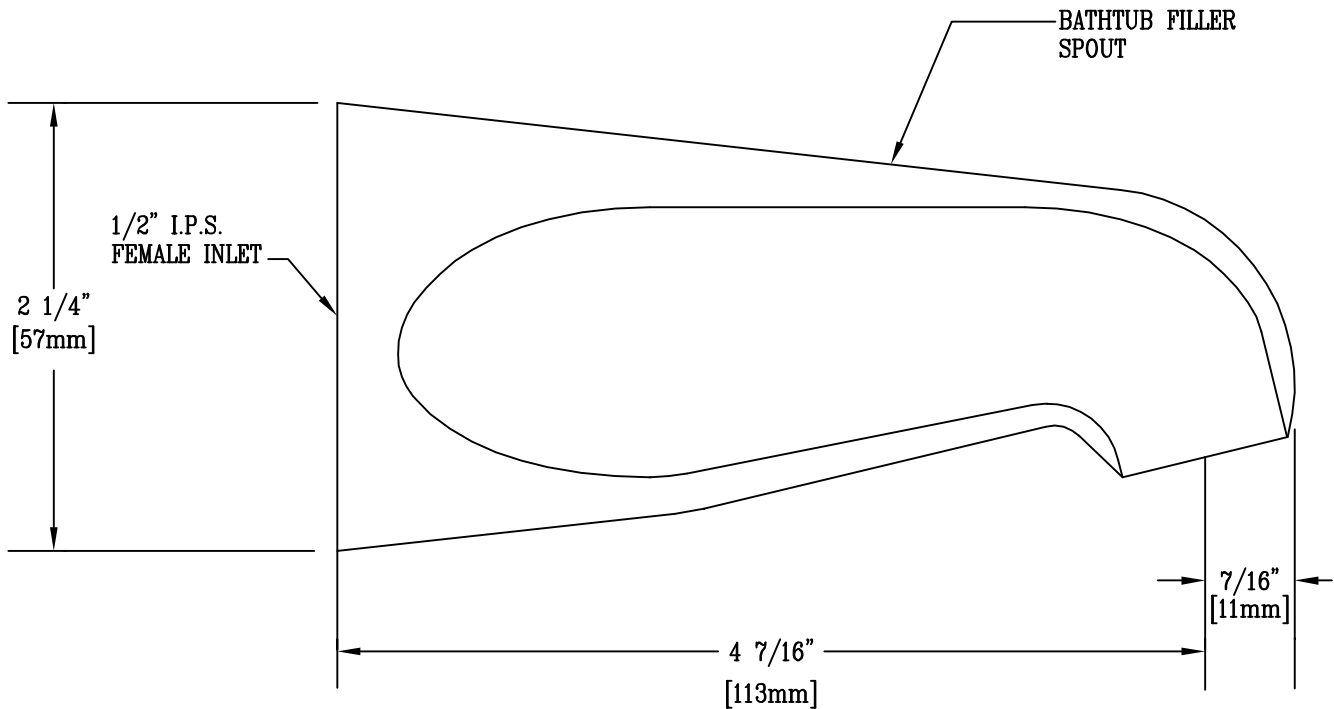
B-1096

Item No.:

Job Name:

Architect/Engineer Approval:

Notes:



Product Description:
BATHTUB FILLER SPOUT WITH 1/2" IPS
FEMALE INLET, SOLID BRASS CONSTRUCTION

Drawn:

WJS

Checked

MW

Scale:

1' = 1'

Approved

CA

Date:

10/10/95