



T&S BRASS AND BRONZE WORKS, INC.

2 Saddleback Cove / P.O. Box 1088
Travelers Rest, SC 29690



REG. #A2601
ISO #9001

Model No.
B-1105-LN

Item No.

Travelers Rest, SC: 800-476-4103 Simi Valley, CA: 800-423-0150 Fax: 864-834-3518 www.tsbrass.com

This Space for Architect/Engineer Approval

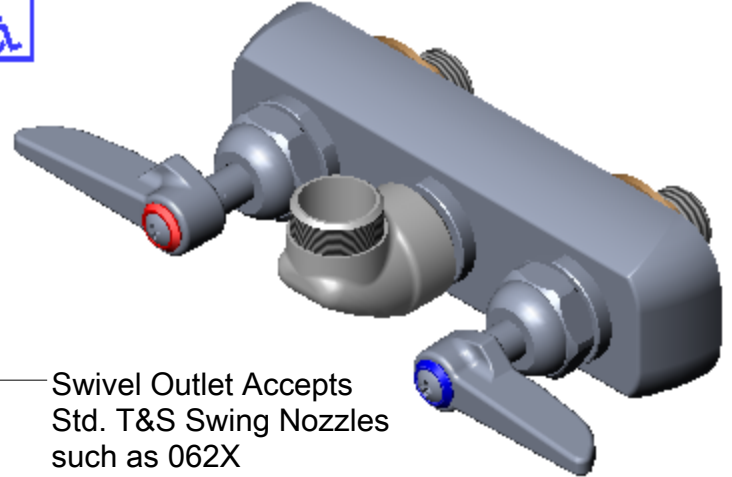
Job Name _____ Date _____

Model Specified _____ Quantity _____

Customer/Wholesaler _____

Contractor _____

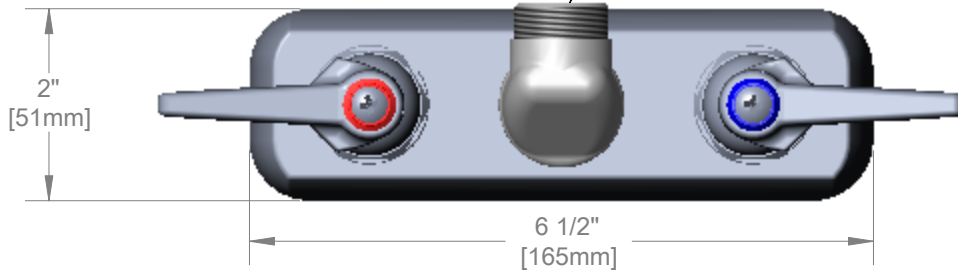
Architect/Engineer _____



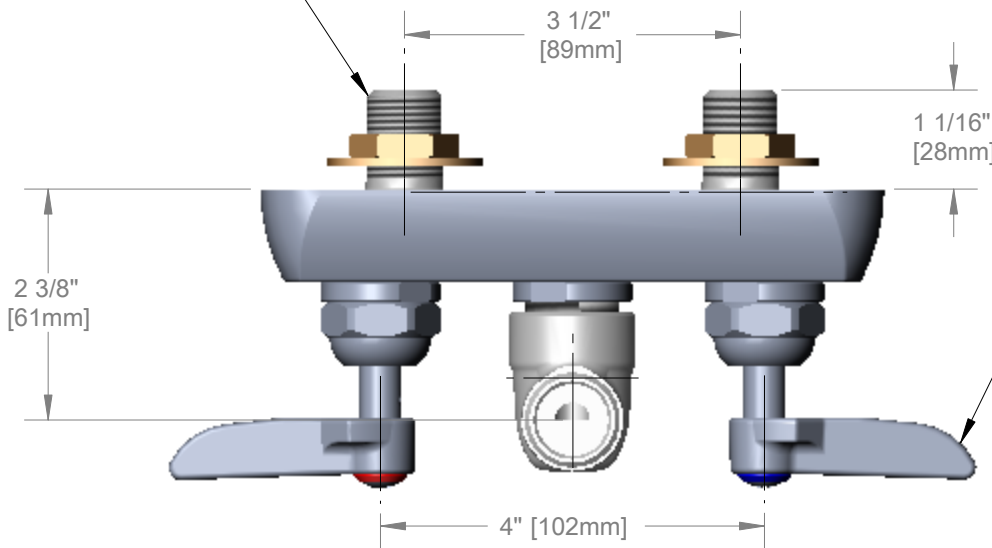
Swivel Outlet Accepts Std. T&S Swing Nozzles such as 062X

Variations or Applicable Options:

- WH6 6" Wrist Action Handles
- WH4 4" Wrist Action Handles
- 175F 4-Arm Kitchen Handles



1/2" NPT Male Inlet Shanks



Lever Handles w/ Colored Indexes

Product Specifications:

3 1/2" c/c Wall Mount Workboard Faucet w/ 1/2" NPT Male Inlets, Less Nozzle, Lever Handles

Drawn WJS	Checked JRM	Approved JHB
Scale:	1:2	Date: 10/19/06



T&S BRASS AND BRONZE WORKS, INC.

2 Saddleback Cove / P.O. Box 1088
Travelers Rest, SC 29690

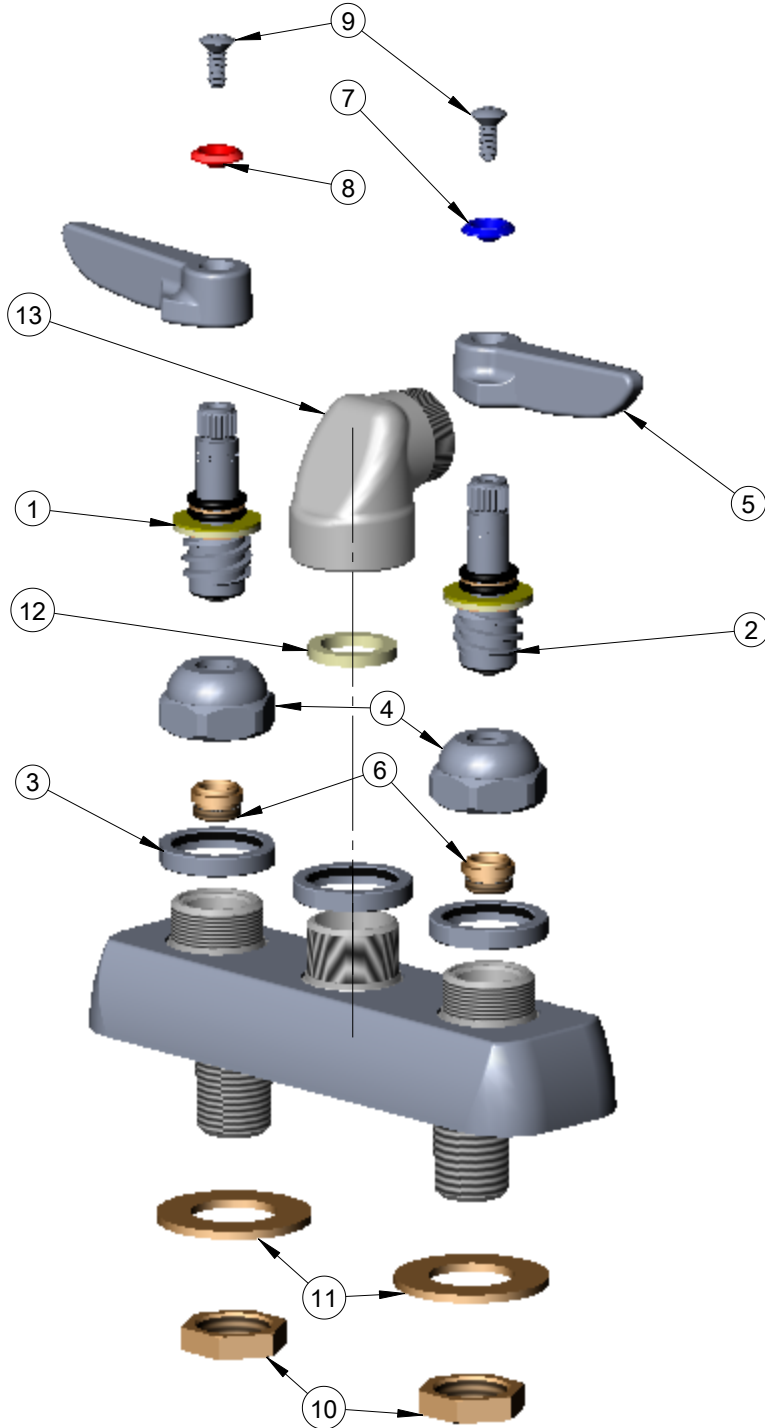


REG. #A2601
ISO #9001

Model No.
B-1105-LN

Item No.

Travelers Rest, SC: 800-476-4103 Simi Valley, CA: 800-423-0150 Fax: 864-834-3518 www.tsbrass.com



ITEM	PART NO.	DESCRIPTION
1	009753-25	B-1100 RH Spindle Asm
2	009754-25	B-1100 LH Spindle Asm
3	000712-25	Escutcheon Lock Nut
4	009749-25	Bonnet Nut
5	177F	Lever Handle
6	000763-20	Seat
7	001660-45	Blue Index-CW
8	001661-45	Red Index-HW
9	000922-45	Lever Handle Screw
10	002954-45	Shank Lock Nut
11	007361-45	Brass Lock Washer
12	009623-45	Washer
13	000082-40	B-1100 Knob

Product Specifications:

3 1/2" c/c Wall Mount Workboard Faucet
w/ 1/2" NPT Male Inlets, Less Nozzle, Lever Handles

Drawn WJS	Checked JRM	Approved JHB
Scale: 1:2		Date: 10/19/06