



**T&S BRASS AND BRONZE WORKS, INC.**  
 2 SADDLEBACK COVE / P.O. BOX 1088 / TRAVELERS REST, SC 29690  
 PHONE 800-476-4103 - FAX 864- 834-3518

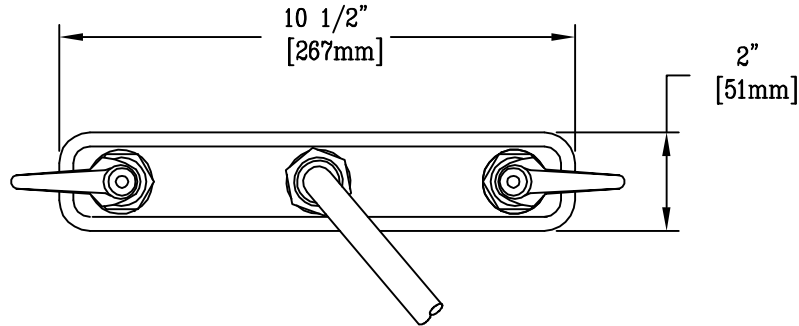


Model No.  
 B-1122-XS  
**RELIABILITY  
 BUILT IN**

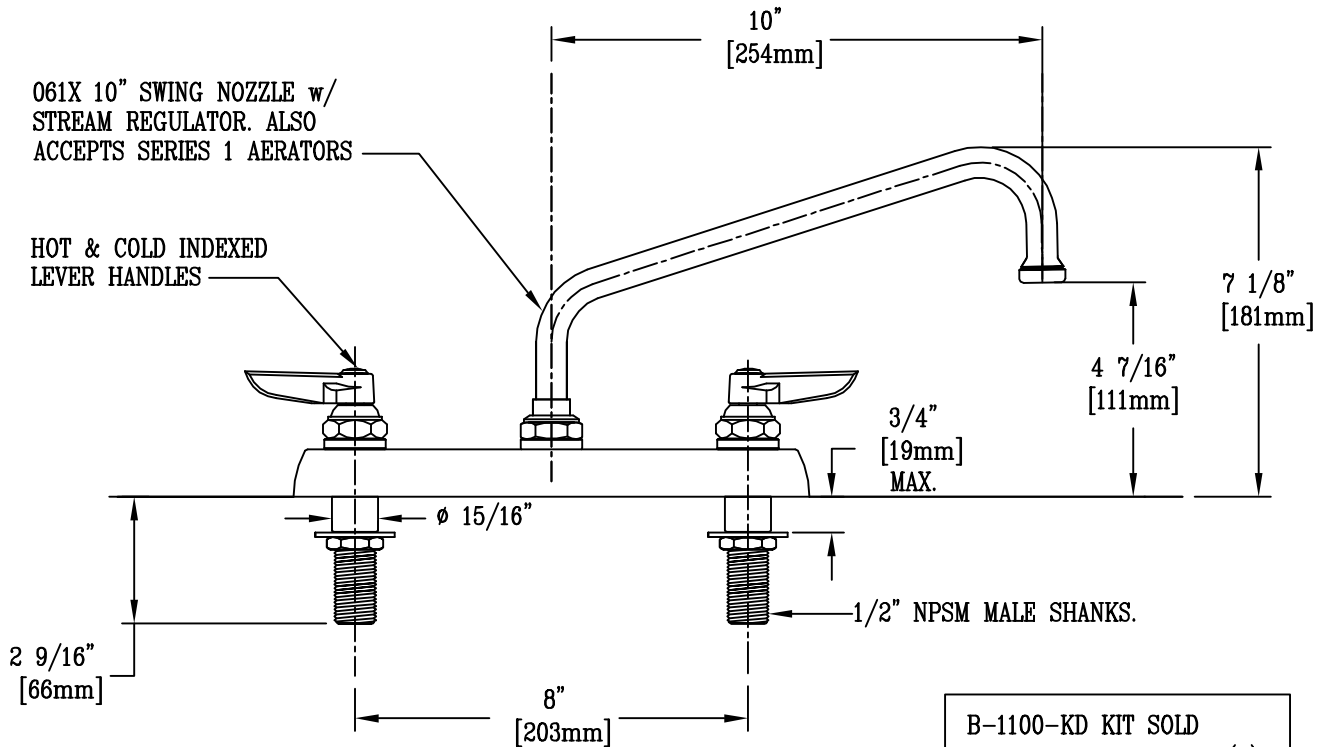
Job Name:

Architect/Engineer Approval:

Notes:



**TOP VIEW**



**FRONT VIEW**

Product Description:  
 WORKBOARD FAUCET WITH 1/2" NPSM MALE EXTENDED SHANKS,  
 8" INLET CENTERS, 061X 10" SWING NOZZLE,  
 STREAM REGULATOR, LEVER HANDLES

Drawn: WJS	Checked JKD	Scale: 1 : 4
Approved MVW	Date: 10-4-01	