



T&S BRASS AND BRONZE WORKS, INC.
 2 SADDLEBACK COVE / P.O. BOX 1088 / TRAVELERS REST, SC 29690
 PHONE 800-476-4103 - FAX 864- 834-3518



Model No.

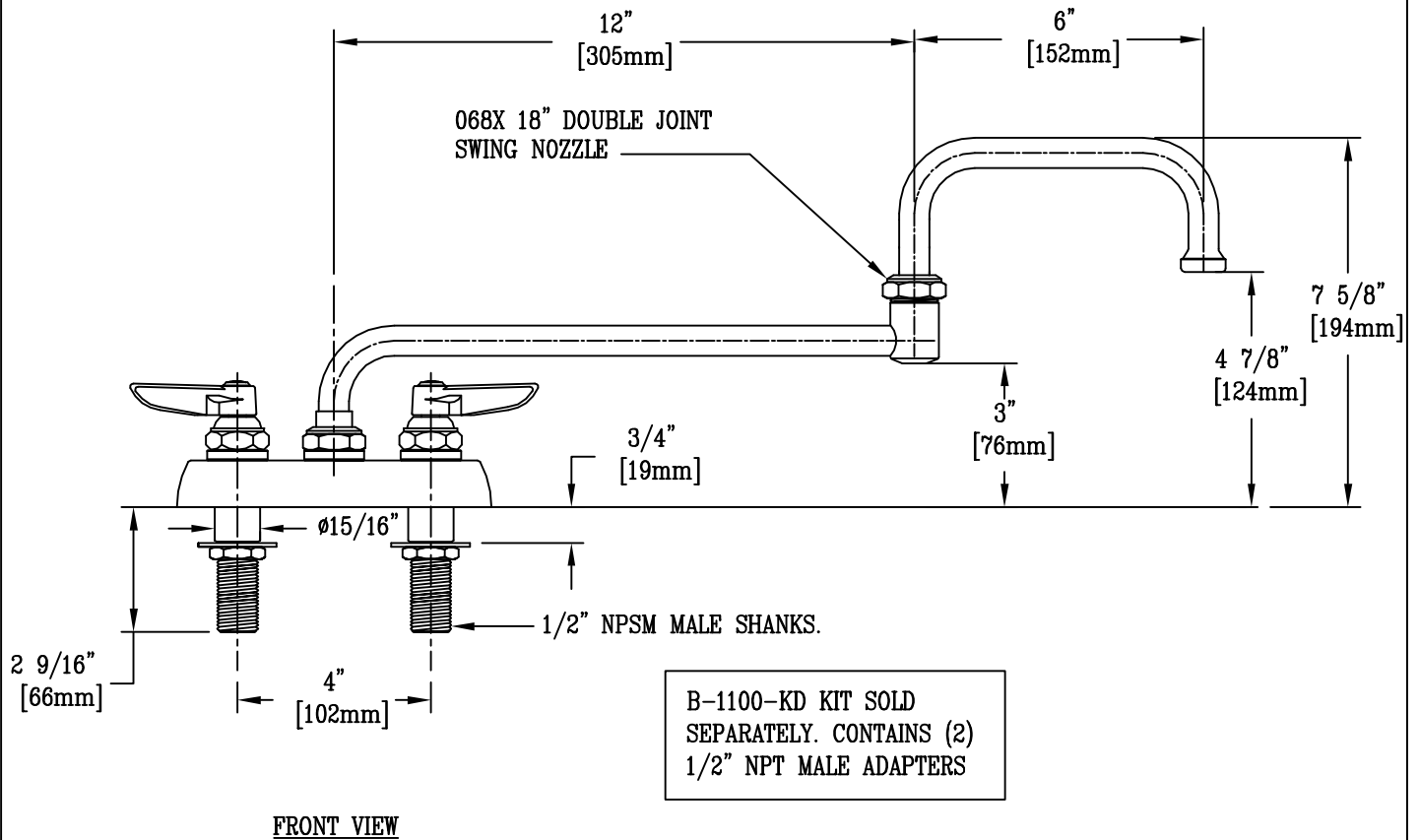
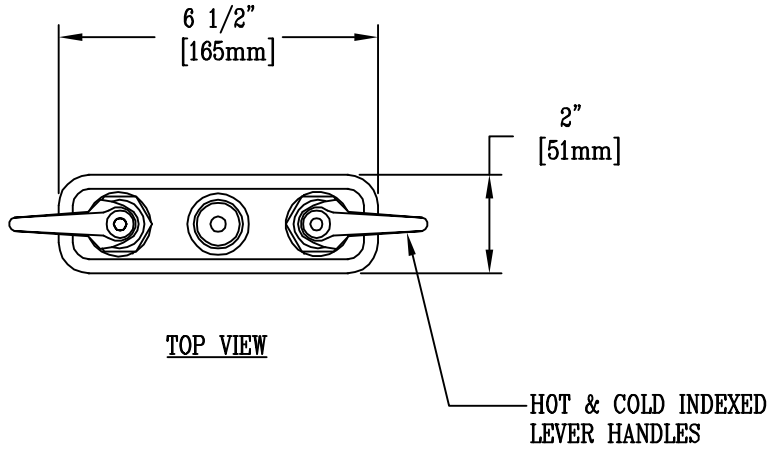
B-1131-XS

**RELIABILITY
BUILT IN**

Job Name:

Architect/Engineer Approval:

Notes:



Product Description:
 WORKBOARD FAUCET WITH 1/2" NPT MALE EXTENDED SHANKS,
 4" INLET CENTERS, 068X 18" DOUBLE JOINT
 SWING NOZZLE, STREAM REGULATOR, LEVER HANDLES

Drawn:

WJS

Checked:

JKD

Scale:

1 : 4

Approved:

MVW

Date:

10-4-01