



T&S BRASS AND BRONZE WORKS, INC.
 2 SADDLEBACK COVE / P.O. BOX 1088 / TRAVELERS REST, SC 29690
 PHONE 800-476-4103 - FAX 864- 834-3518



Model No.

B-1191

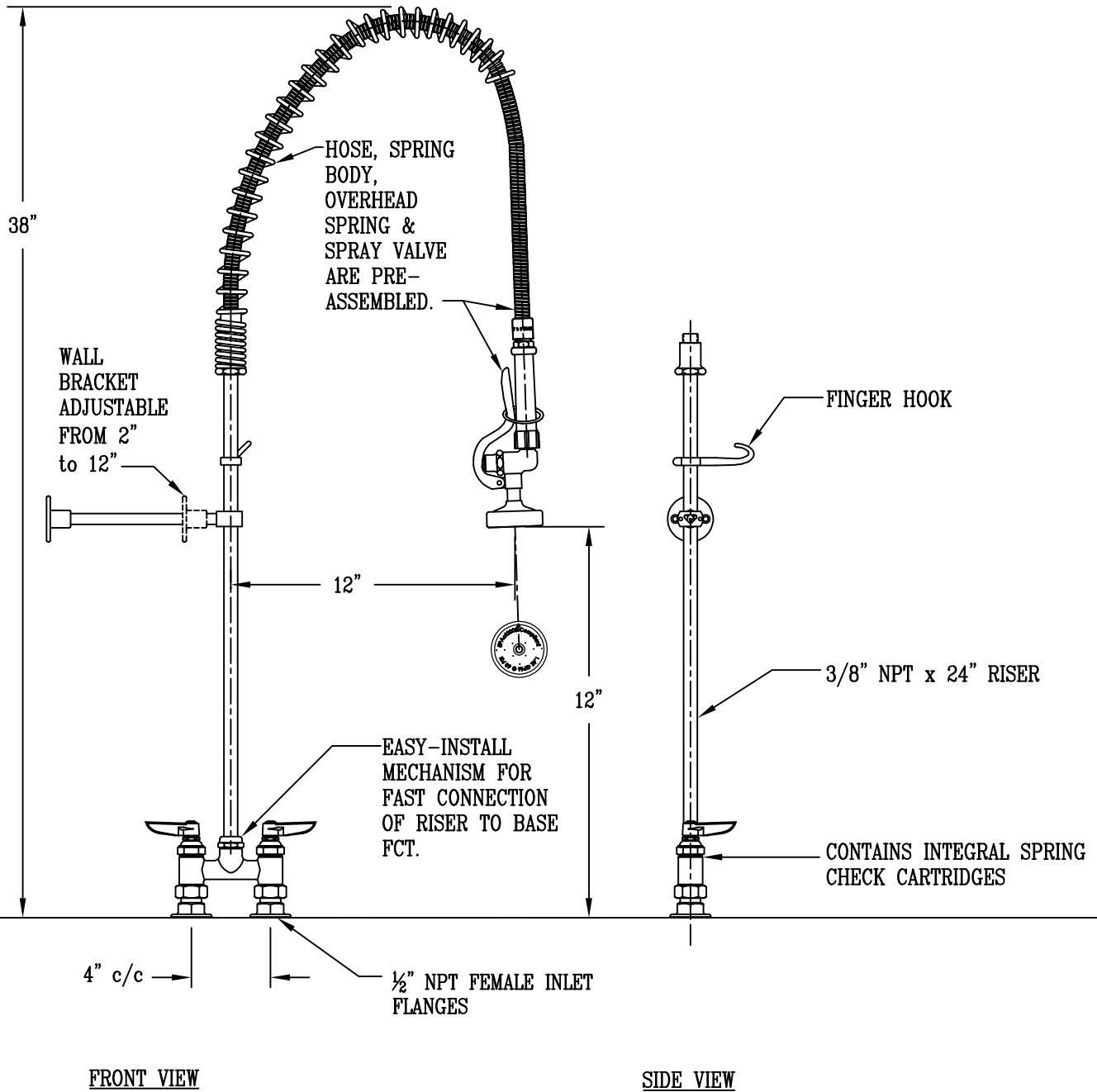
**RELIABILITY
BUILT IN**

Job Name:

Architect/Engineer Approval:

Notes:

EPAct2005 COMPLIANT



Product Description:
 4" c/c Deck Mount Base Fct, 1/2" NPT Male Shanks, Spring Check Cartridges,
 Pre-Rinse Riser, 36" Flex. Hose, 1.42 GPM Low Flow Spray Valve

Drawn: WJS	Checked JRM	Scale: 1 : 8
Approved JHB		Date: 12/04/06