



T&S BRASS AND BRONZE WORKS, INC.

2 SADDLEBACK COVE / P.O. BOX 1088 / TRAVELERS REST, SC 29690

PHONE 800-476-4103

FAX 864- 834-3518



REG. #A2601
ISO #9002

Model No.

B-1502-DD

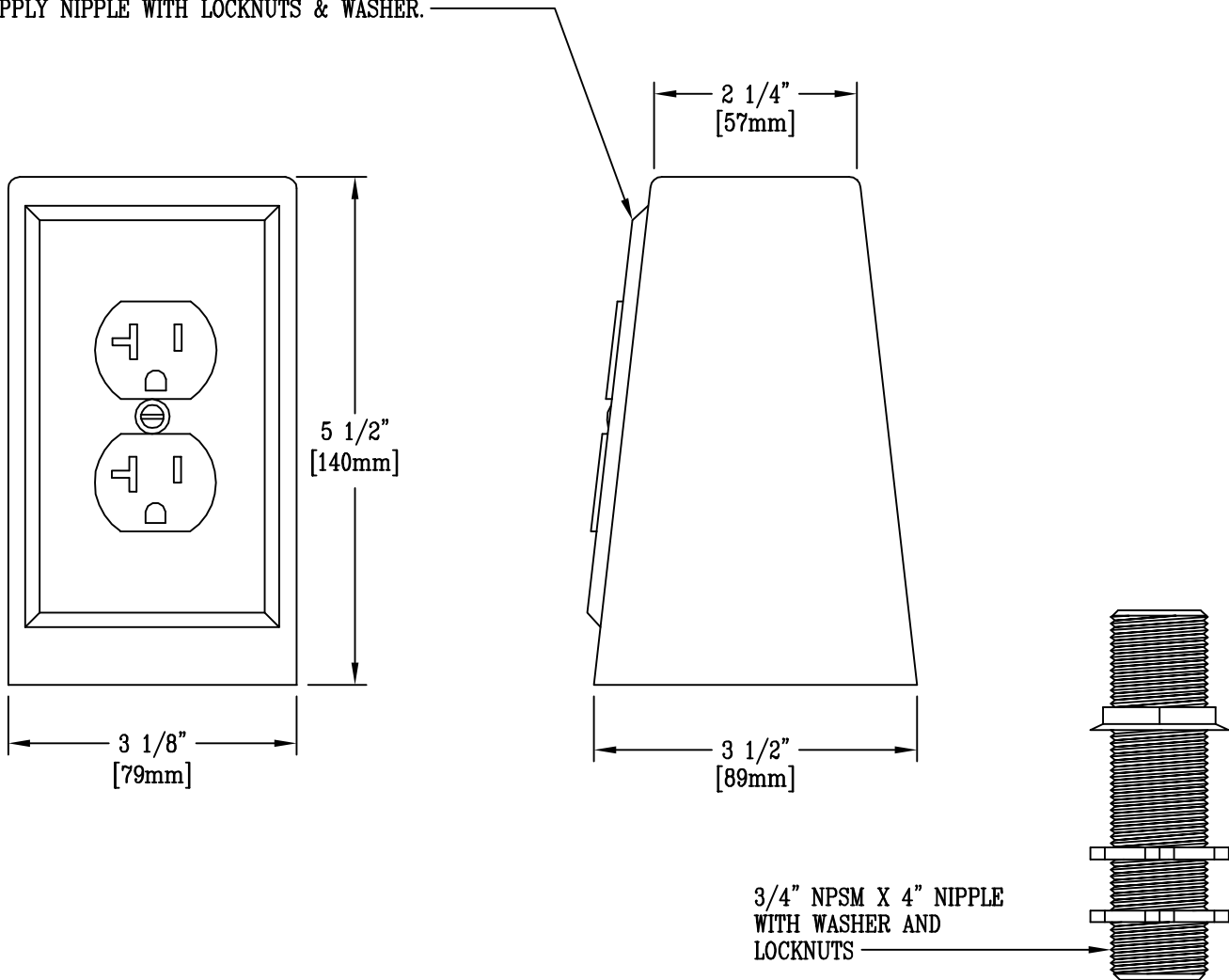
Item No.:

Job Name:

Architect/Engineer Approval:

Notes:

POLISHED ALUMINUM ELECTRICAL BOX
SUPPLIED WITH DUPLEX, 3 WIRE
RECEPTACLE, COVERPLATE, AND
SUPPLY NIPPLE WITH LOCKNUTS & WASHER.



CONSTRUCTED OF U.L. APPROVED COMPONENTS

Product Description:
SINGLE GANG, SINGLE FACE ELECTRICAL OUTLET
BOX WITH POLISHED ALUMINUM FINISH

Drawn: WJS	Checked JKD	Scale: 1' = 1'
Approved CA	Date: 11/22/95	