



**T&S BRASS AND BRONZE WORKS, INC.**  
 2 SADDLEBACK COVE / P.O. BOX 1088 / TRAVELERS REST, SC 29690  
 PHONE 800-476-4103 FAX 864- 834-3518



Model No.

B-1512-DD

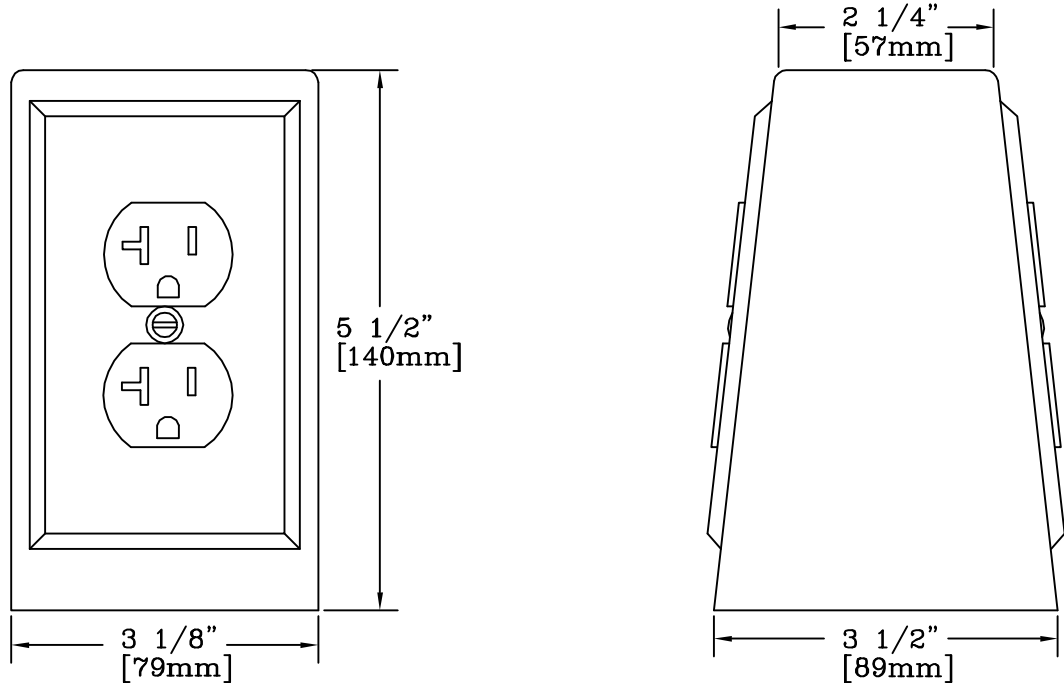
Item No.:

REG.#A2601  
ISO #9002

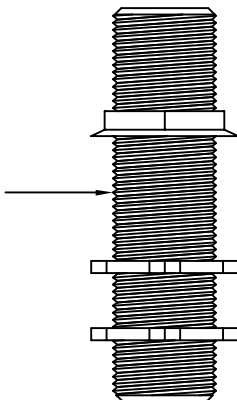
Job Name:

Architect/Engineer Approval:

Notes:



3/4" N.P.S.M  
X 4" NIPPLE  
WITH WASHER  
AND LOCKNUTS



POLISHED ALUMINUM ELECTRICAL BOX  
 SUPPLIED WITH DUPLEX, 3 WIRE  
 RECEPTACLES, COVERPLATES AND  
 SUPPLY NIPPLE WITH LOCKNUTS AND WASHER.

Product Description:

SINGLE GANG / DOUBLE FACE ELECTRICAL BOX

Drawn:

MW

Approved

MW

Checked

WJS

Scale:

1:2

Date:

12/4/98