



T&S BRASS AND BRONZE WORKS, INC.
 2 SADDLEBACK COVE / P.O. BOX 1088 / TRAVELERS REST, SC 29690
 PHONE 800-476-4103 FAX 864-834-3518



Model No.

B-2325

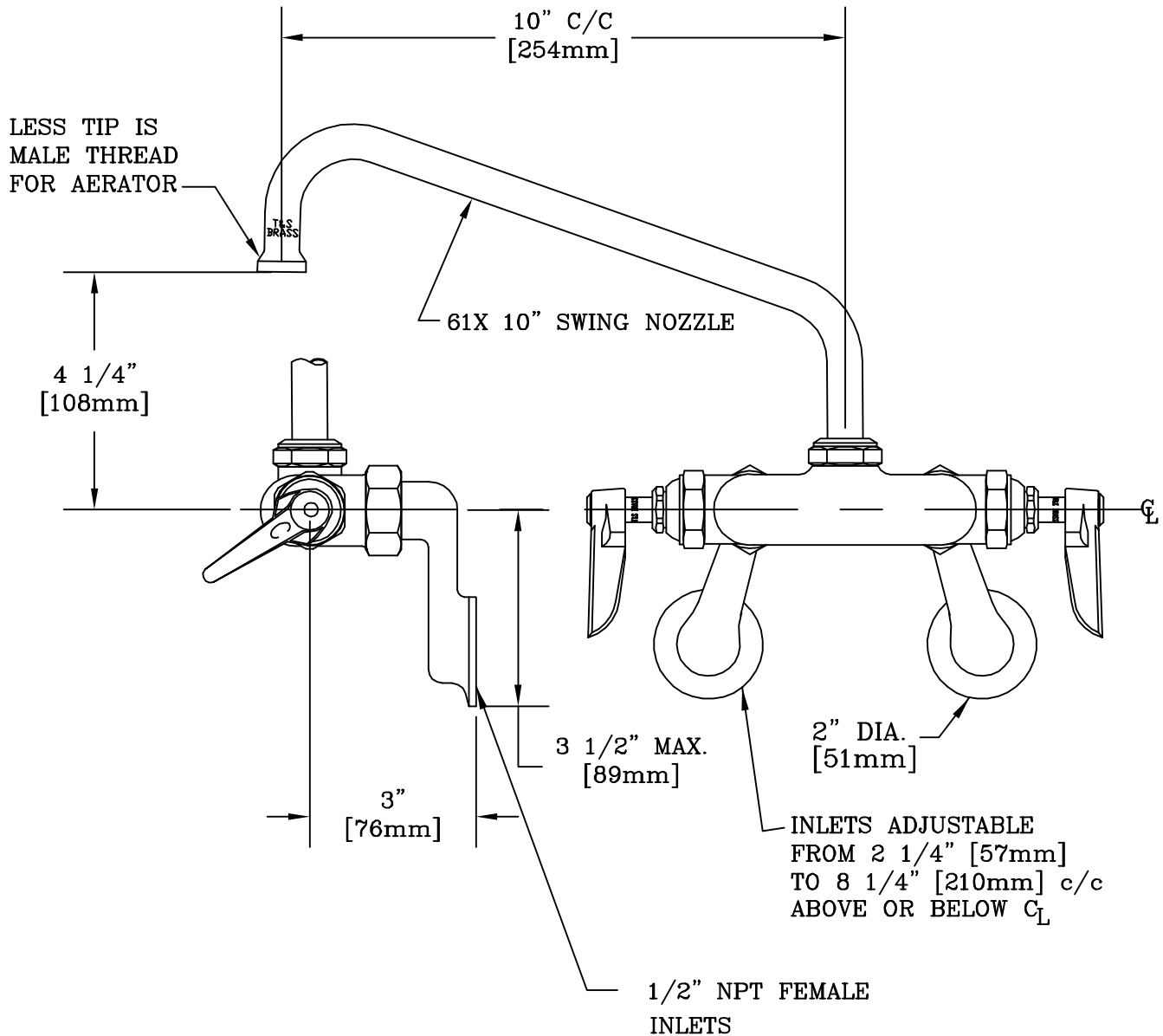
Item No.:

REG.#A2601
ISO #9002

Job Name:

Architect/Engineer Approval:

Notes:



ADA COMPLIANT

Product Description:

B-235 ADJUSTABLE INLET FAUCET
WITH 61X 10" SWING NOZZLE

Drawn:

TME

Checked

WJS

Scale:

3" = 1'

Approved

MW

Date:

12/4/98