



T&S BRASS AND BRONZE WORKS, INC.

2 Saddleback Cove / P.O. Box 1088
Travelers Rest, SC 29690



REG. #A2601
ISO #9001

Model No.

B-2347-11

Item No.

Travelers Rest, SC: 800-476-4103 Simi Valley, CA: 800-423-0150 Fax: 864-834-3518 www.tsbrass.com

This Space for Architect/Engineer Approval

Job Name _____ Date _____

Model Specified _____ Quantity _____

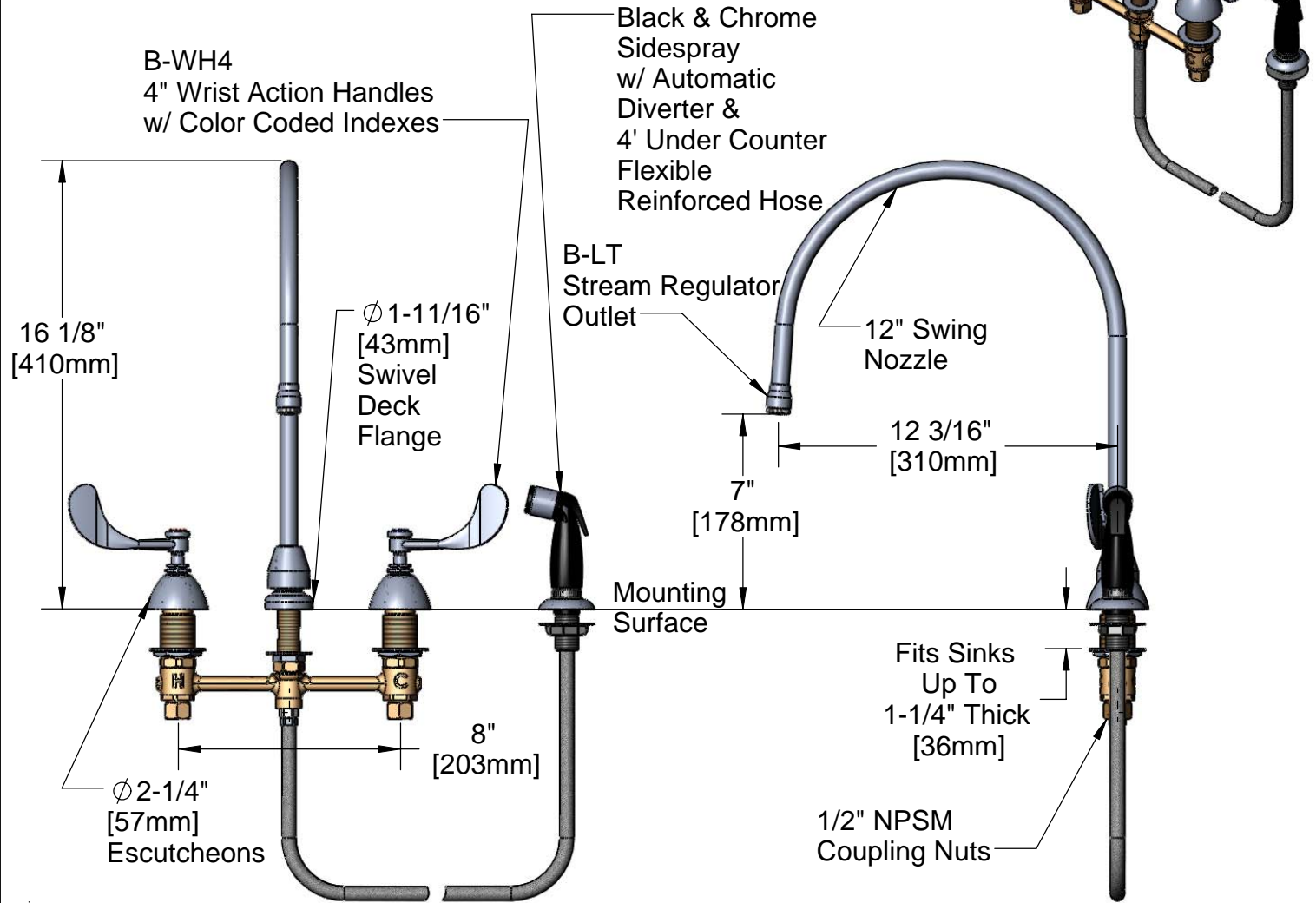
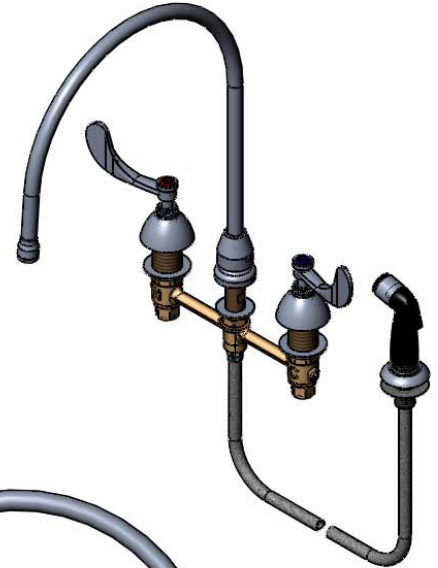
Customer/Wholesaler _____

Contractor _____

Architect/Engineer _____



ADA Compliant



Note: Rough-In Required:
 Ø 1" [25mm] for Center Shank
 Ø 1-1/2" [38mm] for Hot/Cold Side [1-1/4" [32mm] Minimum]

Product Specifications:
EasyInstall Faucet w/ 4' Sidespray, 4" Wrist Action Handles, Compression Cartridges, 8" Inlet Centers & 12" Swing Nozzle w/ Stream Regulator

Drawn JRM	Checked GEF	Approved JHB
Scale: NTS		Date: 7/31/08



T&S BRASS AND BRONZE WORKS, INC.

2 Saddleback Cove / P.O. Box 1088
Travelers Rest, SC 29690



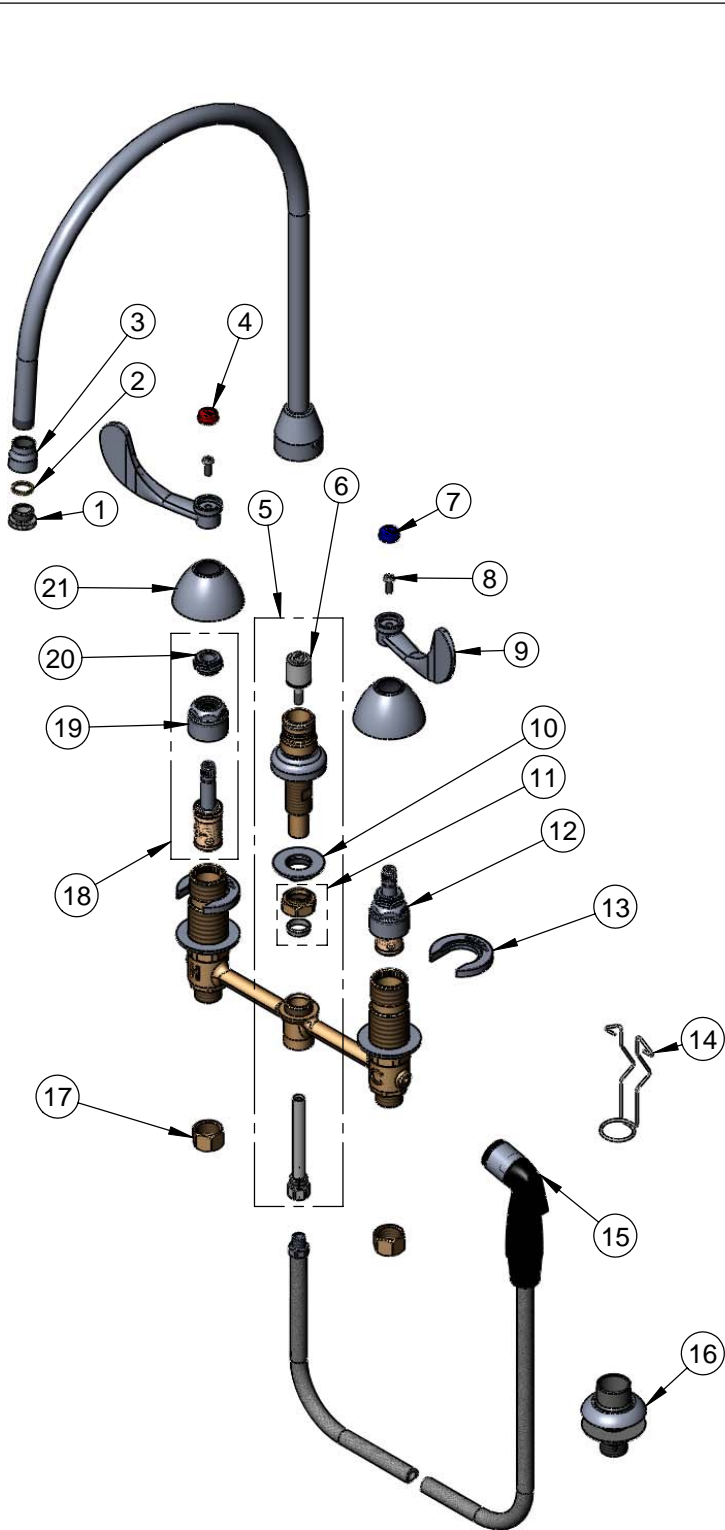
REG. #A2601
ISO #9001

Model No.

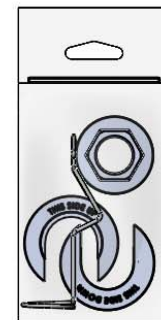
B-2347-11

Item No.

Travelers Rest, SC: 800-476-4103 Simi Valley, CA: 800-423-0150 Fax: 864-834-3518 www.tsbrass.com



ITEM NO.	SALES NO.	DESCRIPTION
1	B-LT	Stream Regulator Outlet
2	009636-45	Washer
3	000557-25	Bell Adapter
4	001194-45	Red HW Index
5	017208-40	Center Body Diverter Asy
6	002338-45	Diverter
7	001686-45	Blue CW Index
8	000925-45	Lab Handle Screw
9	B-WH4	4" Wrist Action Handle
10	016742-45	Center Flange Nut
11	016745-45	Compression Nut & Fitting
12	016752-40	CWS Bonnet & LTC Eterna Cartridge
13	016749-45	C-Washer
14	016777-45	CWS Hanger
15	001495-45	Side Spray
16	001496-45	Hose Guide
17	000958-20	Coupling Nut
18	016753-40	CWS Bonnet & RTC Eterna Cartridge
19	016743-25	CWS Bonnet Assembly
20	009002-25	Packing Assembly
21	001257-40	Bell Escutcheon



017245-40
Installation Repair Kit
Includes #10, (2)#13, & #14

Product Specifications:

EasyInstall Faucet w/ 4" Sidespray, 4" Wrist Action Handles, Compression Cartridges, 8" Inlet Centers & 12" Swing Nozzle w/ Stream Regulator

Drawn JRM	Checked GEF	Approved JHB
Scale: NTS		Date: 7/31/08