



T&S BRASS AND BRONZE WORKS, INC.
 2 SADDLEBACK COVE / P.O. BOX 1088 / TRAVELERS REST, SC 29690
 PHONE 800-476-4103 FAX 864- 834-3518



Model No.

B-2349-01

Item No.:

REG.#A2601
ISO #9002

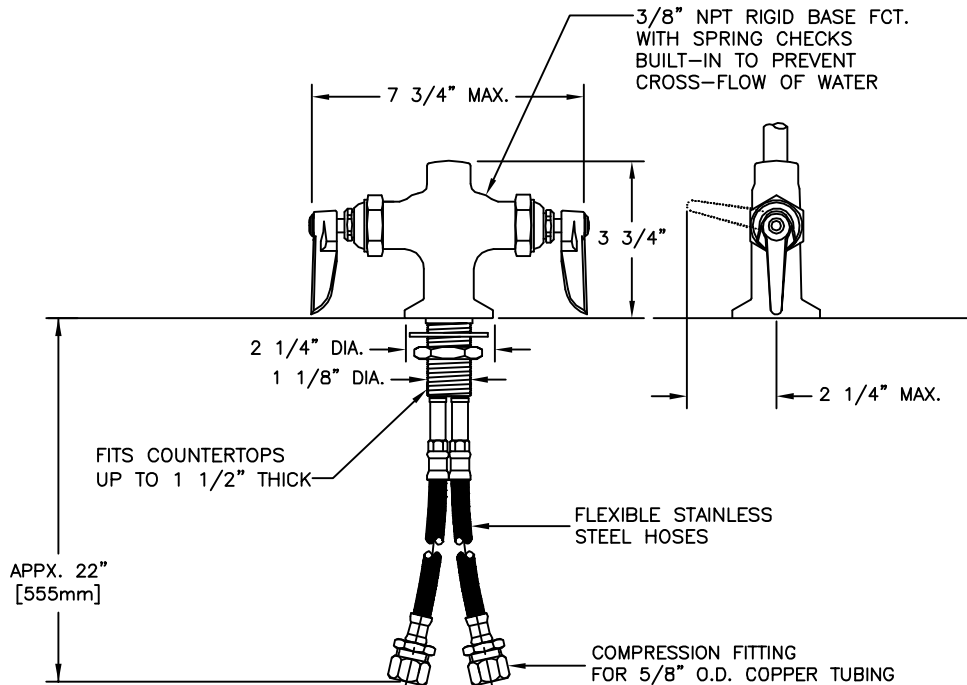
Job Name:

Architect/Engineer Approval:

Notes:



ADA COMPLIANT



Product Description:

B-2349 BASE FAUCET WITH
 FLEXIBLE CONNECTOR HOSES
 FOR 5/8" O.D. COPPER TUBING

Drawn:

TME

Approved

MVW

Checked

MVW

Scale:

1.5" = 1'

Date:

7-12-01