



T&S BRASS AND BRONZE WORKS, INC.

2 Saddleback Cove / P.O. Box 1088
Travelers Rest, SC 29690



REG. #A2601
ISO #9001

Model No.
B-2360-01

Item No.

Travelers Rest, SC: 800-476-4103 Simi Valley, CA: 800-423-0150 Fax: 864-834-3518 www.tsbrass.com

This Space for Architect/Engineer Approval

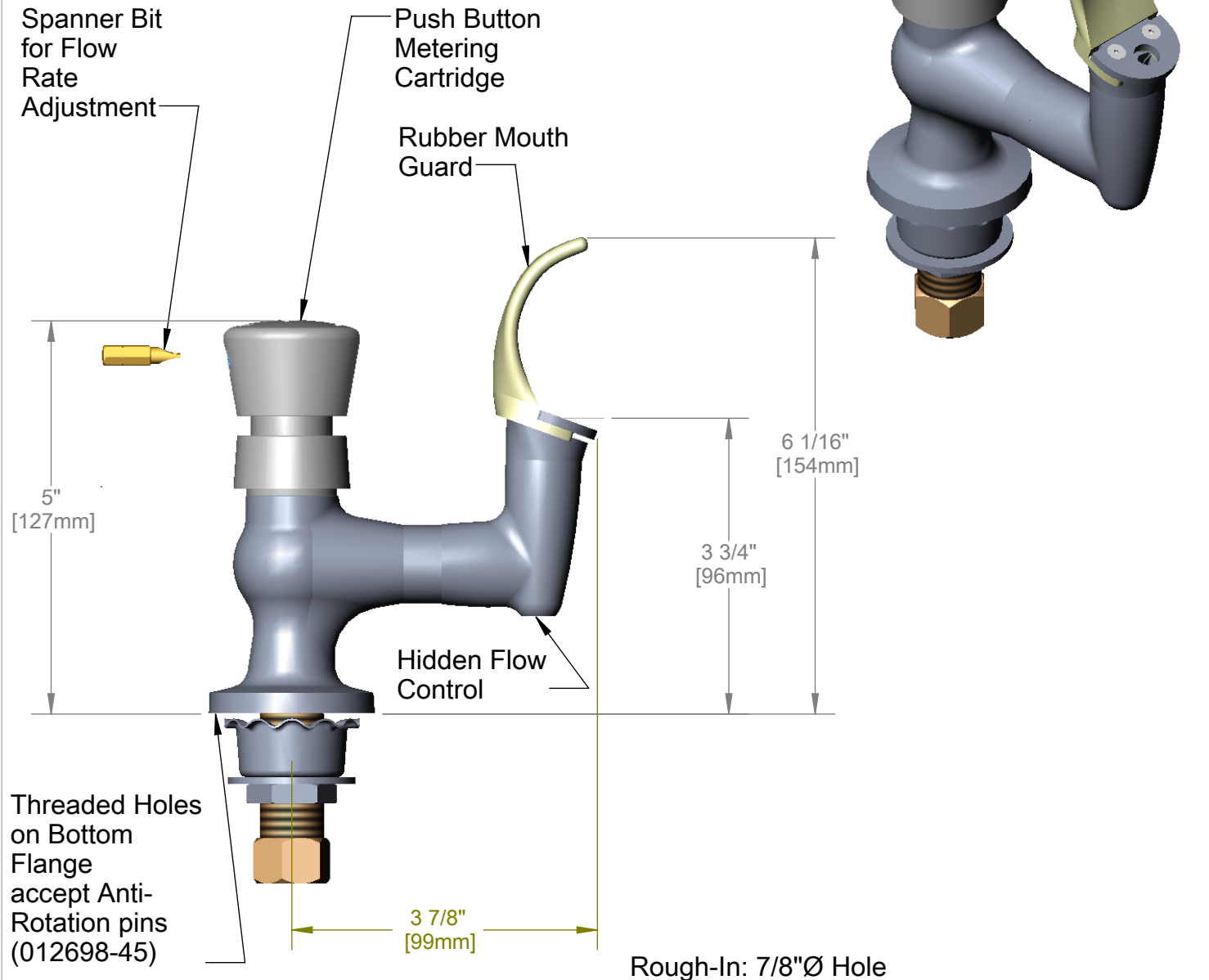
Job Name _____ Date _____

Model Specified _____ Quantity _____

Customer/Wholesaler _____

Contractor _____

Architect/Engineer _____



Product Specifications: Bubbler w/ Rubber Mouth Guard with Push Button Metering Cartridge	Drawn WJS	Checked JRM	Approved JHB
	Scale: 1:2	Date: 01/26/07	
			Sheet: 1 of 2



T&S BRASS AND BRONZE WORKS, INC.

2 Saddleback Cove / P.O. Box 1088
Travelers Rest, SC 29690



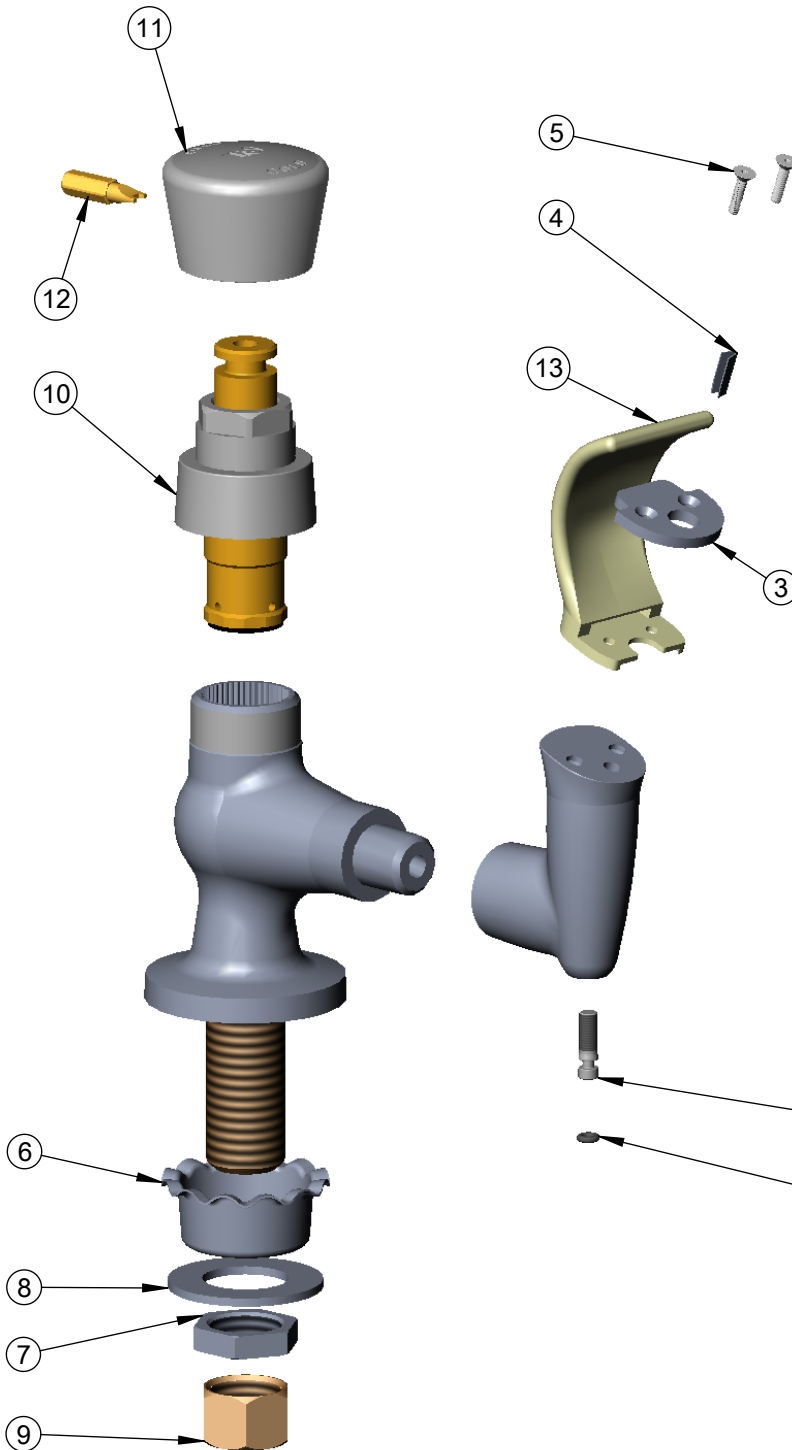
REG. #A2601
ISO #9001

Model No.

B-2360-01

Item No.

Travelers Rest, SC: 800-476-4103 Simi Valley, CA: 800-423-0150 Fax: 864-834-3518 www.tsbrass.com



ITEM	PART NO.	DESCRIPTION
1	015318-45	Flow Control Screw
2	015319-45	O-Ring
3	009596-40	Mouth Guard Holder
4	009594-45	Flow Straightener
5	009598-45	Mouth Guard Screw
6	001000-45	Rosette Washer
7	002954-45	Shank Lock Nut
8	007361-45	Brass Lock Washer
9	000958-20	Coupling Nut
10	238A	Push Button Metering Ctg.
11	014195-40	Cold Cap Assembly
12	014734-45	#8 Spanner Bit
13	009595-45	Rubber Mouth Guard

Product Specifications:

Bubbler w/ Rubber Mouth Guard
with Push Button Metering Cartridge

Drawn WJS	Checked JRM	Approved JHB
Scale: 1:2		Date: 01/26/07