



T&S BRASS AND BRONZE WORKS, INC.
 2 SADDLEBACK COVE / P.O. BOX 1088 / TRAVELERS REST, SC 29690
 PHONE 800-476-4103 FAX 803- 834-3518



Model No.

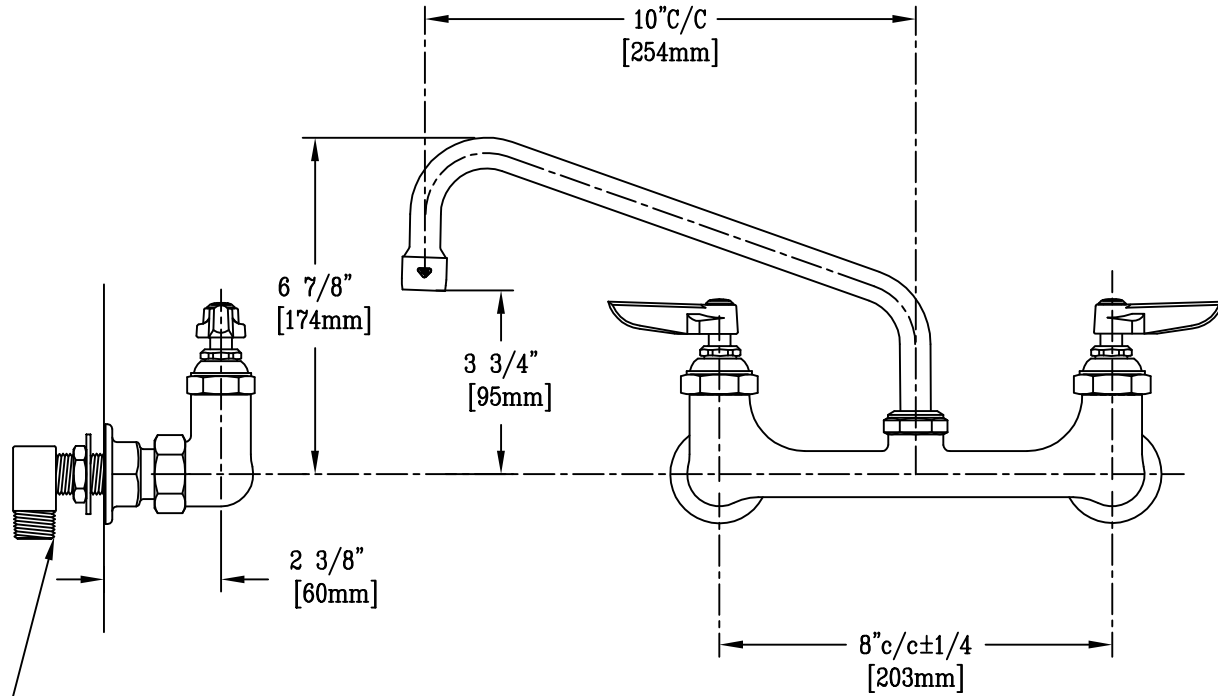
B-2367

Item No.:

Job Name:

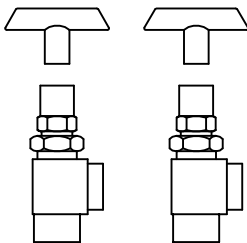
Architect/Engineer Approval:

Notes:

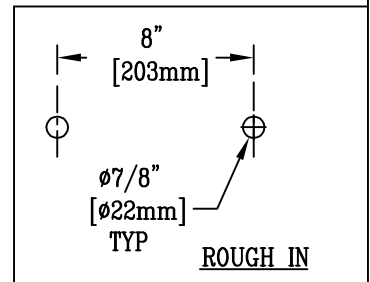
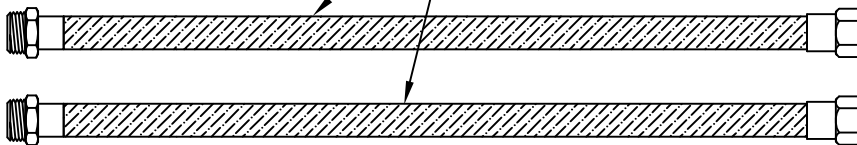


Furnished w/ (2)
 B-0230-K 1/2" NPT Male
 Supply Nipple Elbow Kits

Furnished w/ (2)
 B-0418 Supply Stops. 1/2"
 NPT Female Inlet.



Furnished w/ (2) 013121-45 36"
 Long Flexible Supply Hoses. 1/2" NPT
 Male x 1/2" NPSM Female



Product Description:

8" c/c Wall Mount Mixing Faucet w/ 1/2" NPT Female Inlets,
 Supply Elbows, Supply Stops, Supply Hoses,
 10" Swing Nozzle w/ 2.2 GPM Aerator

Drawn:

WJS

Approved

JHB

Checked

JRM

Scale:

1 : 4

Date:

04/26/06