



T&S BRASS AND BRONZE WORKS, INC.

2 SADDLEBACK COVE / P.O. BOX 1088 / TRAVELERS REST, SC 29690

PHONE 800-476-4103

FAX 803- 834-3518

Model No.

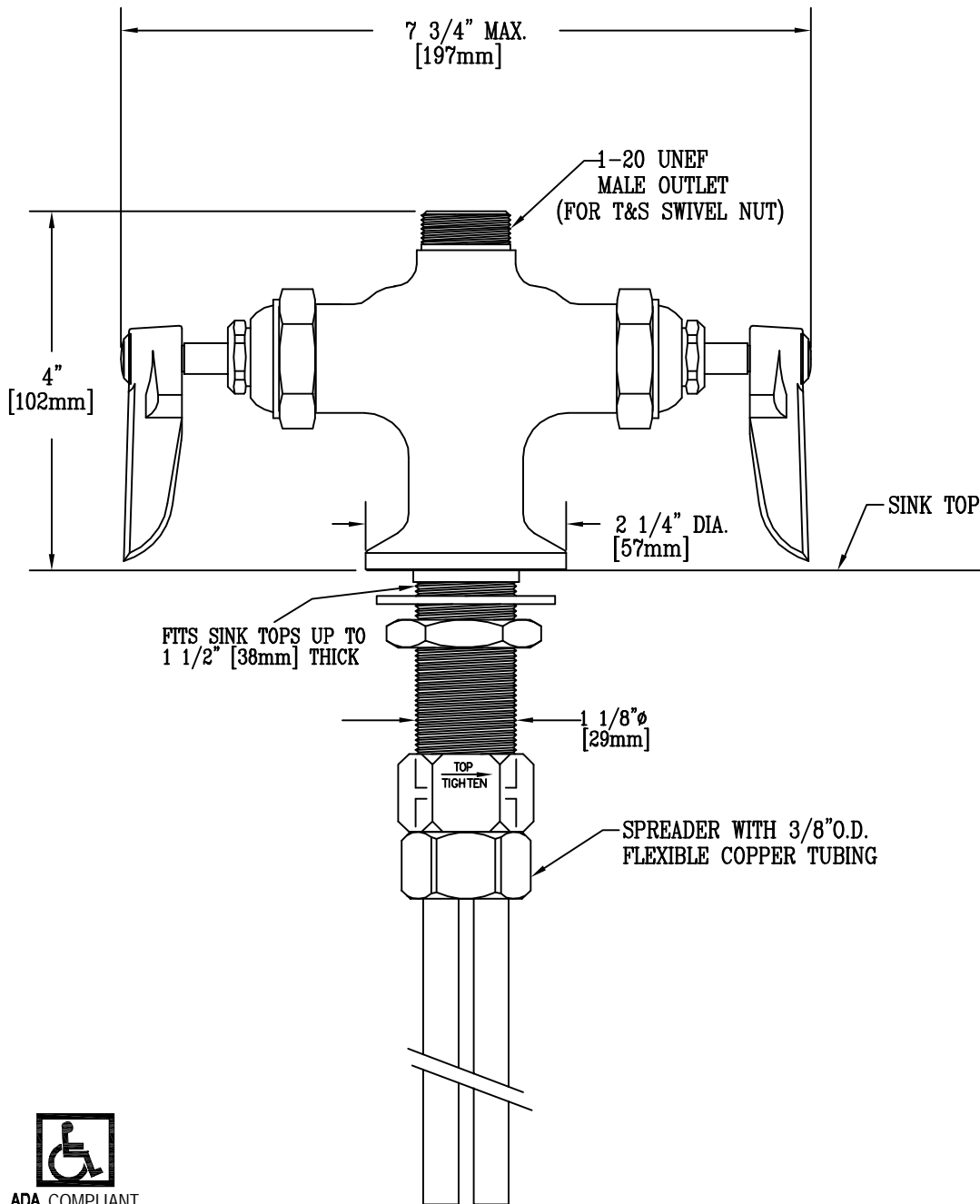
B-2383

Item No.:

Job Name:

Architect/Engineer Approval:

Notes:



Product Description:

DOUBLE PANTRY FAUCET LESS NOZZLE W/FLEXIBLE SPREADER

Drawn:

DMA

Checked

MVW

Scale:

6" = 1'

Approved

MVW

Date:

6/26/98