



**T&S BRASS AND BRONZE WORKS, INC.**  
 2 SADDLEBACK COVE / P.O. BOX 1088 / TRAVELERS REST, SC 29690  
 PHONE 800-476-4103 FAX 864- 834-3518



Model No.

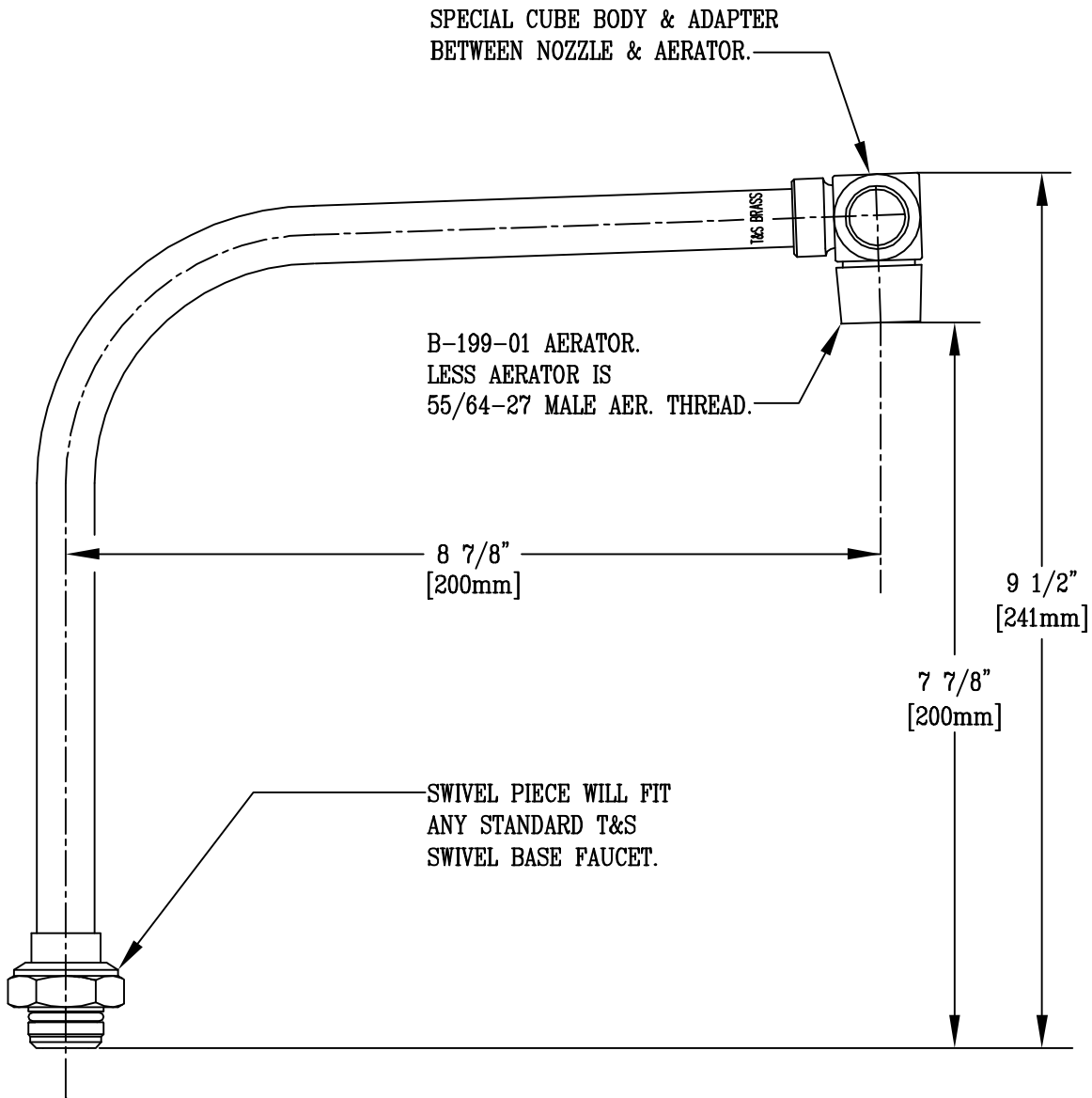
B-2403

Item No.:

Job Name:

Architect/Engineer Approval:

Notes:



Product Description:  
 SWIVEL GOOSENECK ASSEMBLY WITH  
 HIGH RISE SWING SPOUT, AND SPECIAL  
 CUBE STYLE AERATOR OUTLET

Drawn:

WJS

Checked

JKD

Scale:

6" = 1'

Approved

CA

Date:

5/20/96