



T&S BRASS AND BRONZE WORKS, INC.
 2 SADDLEBACK COVE / P.O. BOX 1088 / TRAVELERS REST, SC 29690
 PHONE 800-476-4103 - FAX 864- 834-3518



Model No.

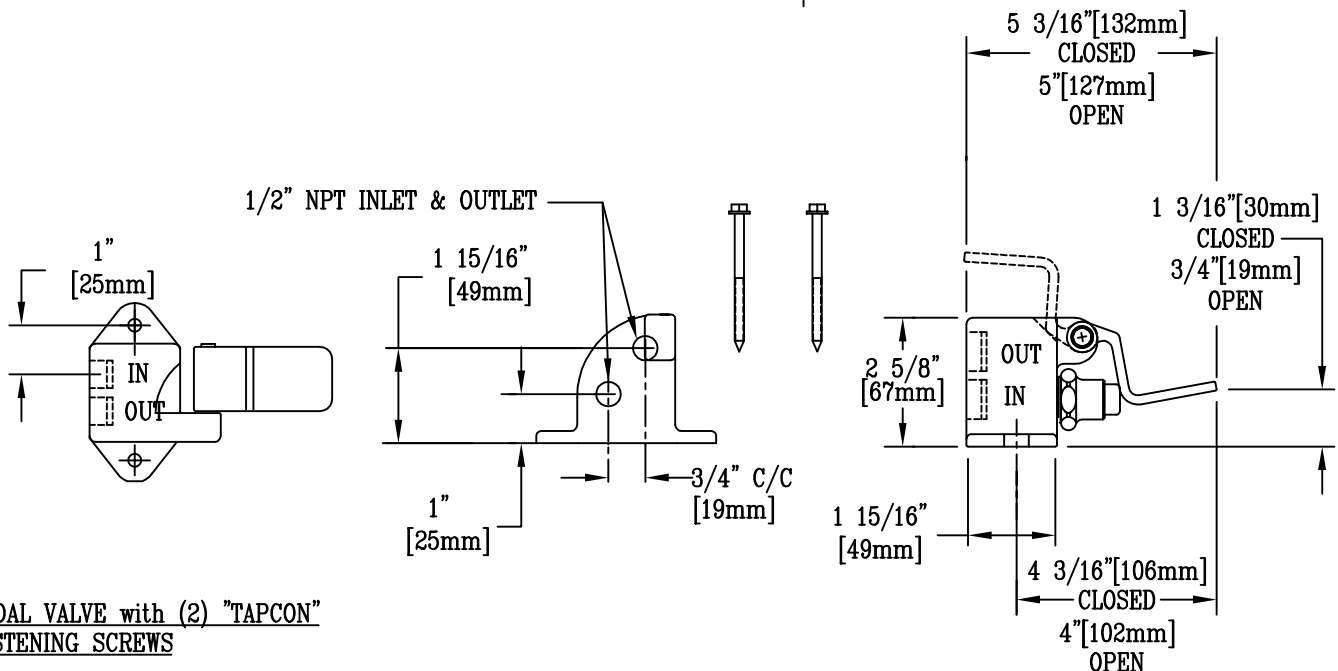
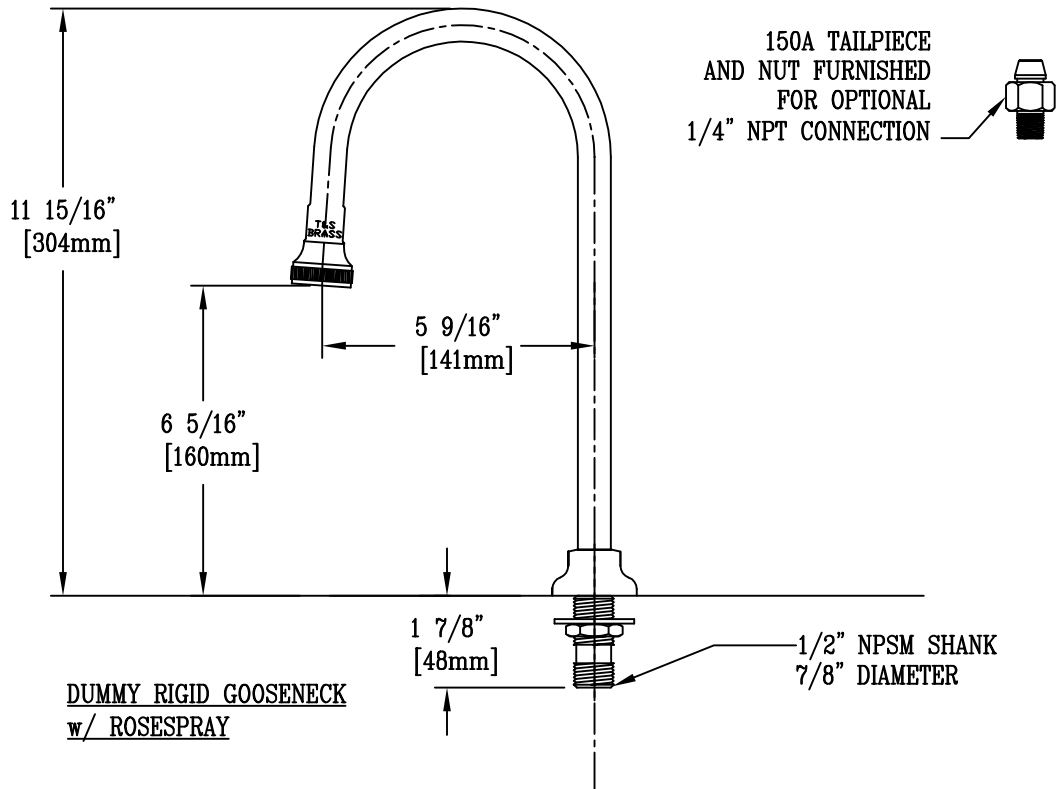
B-2464

**RELIABILITY
 BUILT IN**

Job Name:

Architect/Engineer Approval:

Notes:



PEDAL VALVE with (2) "TAPCON" FASTENING SCREWS

Product Description:

B-0507 SINGLE PEDAL VALVE w/ B-0524 RIGID DUMMY GOOSENECK & ROSESpray

Drawn:

PRJ

Approved

MVW

Checked

WJS

Scale:

1 : 4

Date:

05/23/02