

T&S BRASS AND BRONZE WORKS, INC.
 2 SADDLEBACK COVE / P.O. BOX 1088 / TRAVELERS REST, SC 29690
 PHONE 800-476-4103 - FAX 864- 834-3518



Model No.

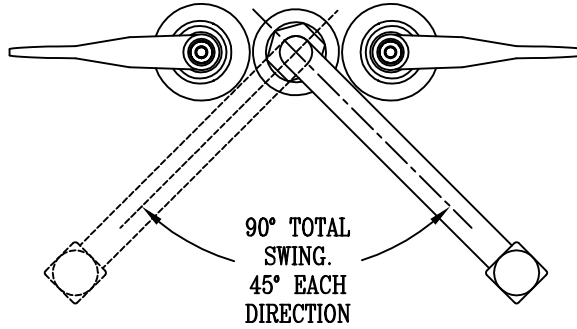
B-2472

RELIABILITY
BUILT IN

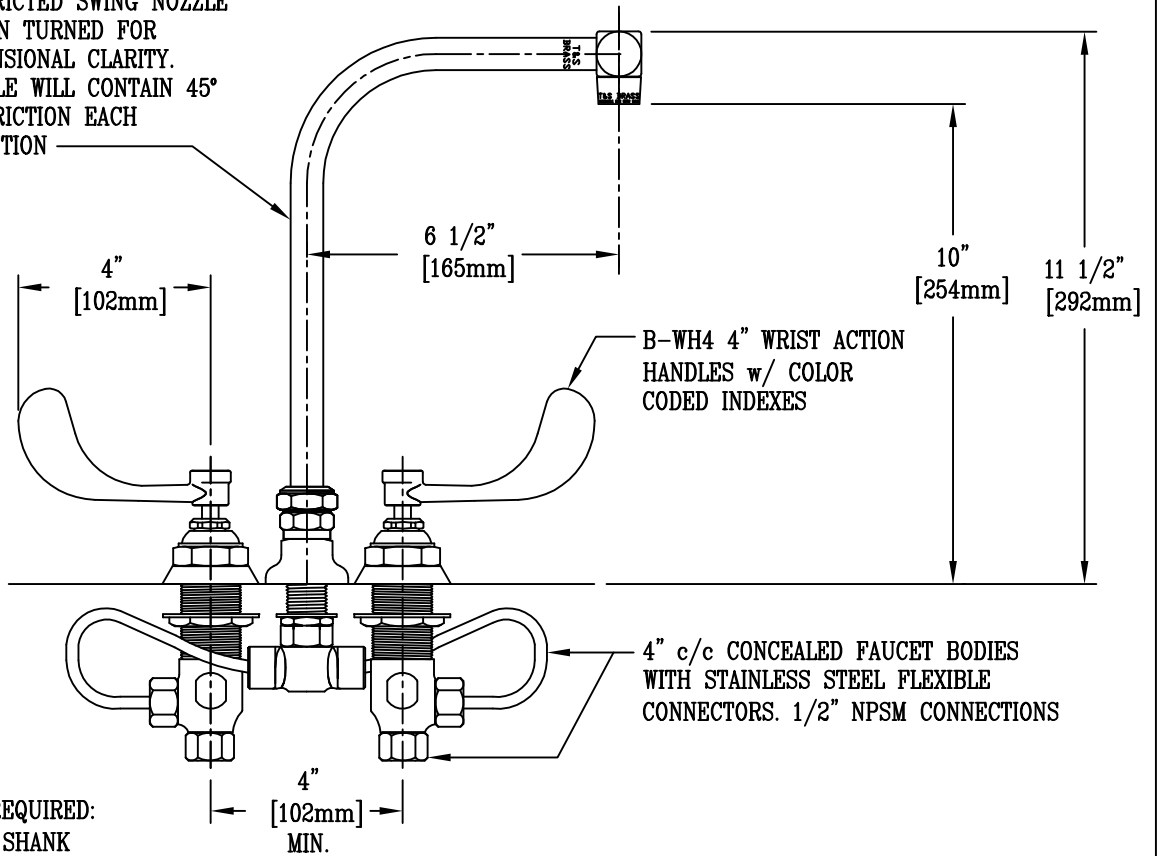
Job Name:

Architect/Engineer Approval:

Notes:



RESTRICTED SWING NOZZLE SHOWN TURNED FOR DIMENSIONAL CLARITY. NOZZLE WILL CONTAIN 45° RESTRICTION EACH DIRECTION



NOTE: ROUGH-IN REQUIRED:
 ø7/8 FOR CENTER SHANK
 ø1 1/4 FOR HOT/COLD SIDE BODIES

Product Description:

4" c/c CONCEALED TYPE FAUCET WITH RESTRICTED SWING NOZZLE AND B-WH4 4" WRIST ACTION HANDLES

Drawn:

TEH

Checked

LEL

Scale:

1 : 4

Approved

MVW

Date:

1/25/05