



**T&S BRASS AND BRONZE WORKS, INC.**  
 2 SADDLEBACK COVE / P.O. BOX 1088 / TRAVELERS REST, SC 29690  
 PHONE 800-476-4103 - FAX 864- 834-3518



Model No.

B-2476

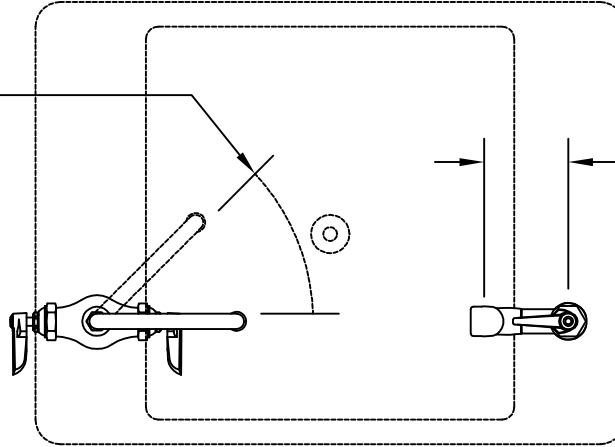
**RELIABILITY  
 BUILT IN**

Job Name:

Architect/Engineer Approval:

Notes:

45° SWING RESTRICTION  
 AS SHOWN. GOOSENECK  
 CANNOT BE MOVED OUT  
 OF THIS RANGE

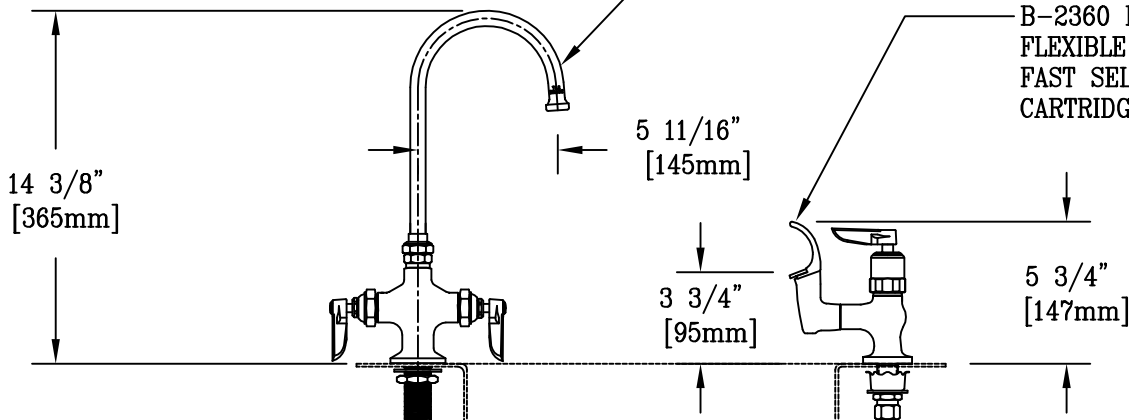


3 7/16"  
 [87mm]

SINK FURNISHED by  
 OTHERS

SINGLE HOLE MIXING  
 FAUCET WITH 45°  
 RESTRICTED SWIVEL  
 GOOSENECK

B-2360 BUBBLER w/  
 FLEXIBLE MOUTH GUARD &  
 FAST SELF-CLOSING  
 CARTRIDGE



18" LONG FLEX. ST.  
 STEEL SUPPLY HOSES  
 FOR 5/8" OD COPPER  
 TUBING, or REMOVE  
 COMPRESSION NUTS  
 FOR 1/2" NPSM MALE

Product Description:  
 CLASSROOM PACKAGE:  
 RESTRICTED SWING GOOSENECK FAUCET WITH BUBBLER

Drawn:

WJS

Approved

MVW

Checked

LEL

Scale:

1:4

Date:

7/29/04