

**T&S BRASS AND BRONZE WORKS, INC.**

2 SADDLEBACK COVE / P.O. BOX 1088 / TRAVELERS REST, SC 29690

PHONE 800-476-4103

FAX 864-834-3518



REG.#A2601  
ISO #9002

Model No.

B-2489

Item No.:

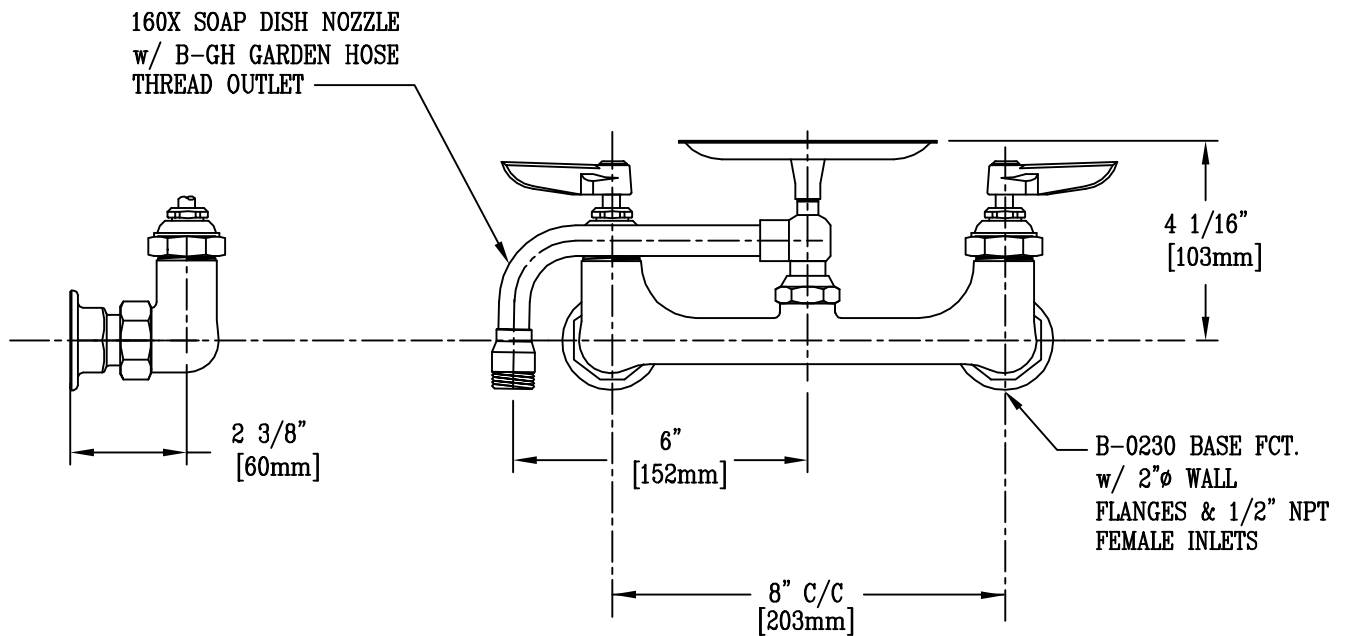
Job Name:

Architect/Engineer Approval:

Notes:



ADA COMPLIANT



Product Description:

8" c/c WALL MOUNTED MIXING FCT. w/ 1/2" NPT FEMALE INLETS, & 6" SOAP DISH SWING NOZZLE

Drawn:

WJS

Approved

MVW

Checked

JKD

Scale:

1 : 4

Date:

08/31/00