

T&S BRASS AND BRONZE WORKS, INC.
 2 SADDLEBACK COVE / P.O. BOX 1088 / TRAVELERS REST, SC 29690
 PHONE 800-476-4103 - FAX 864- 834-3518



Model No.

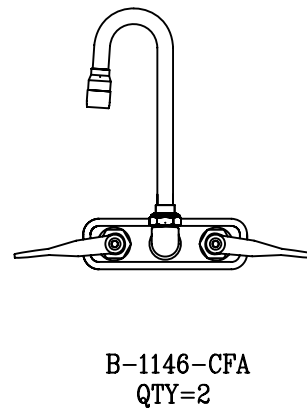
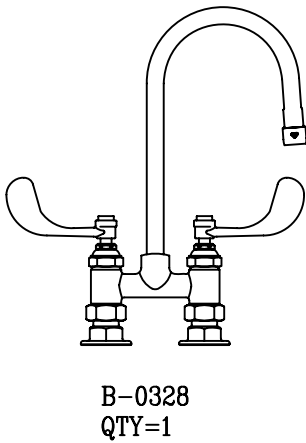
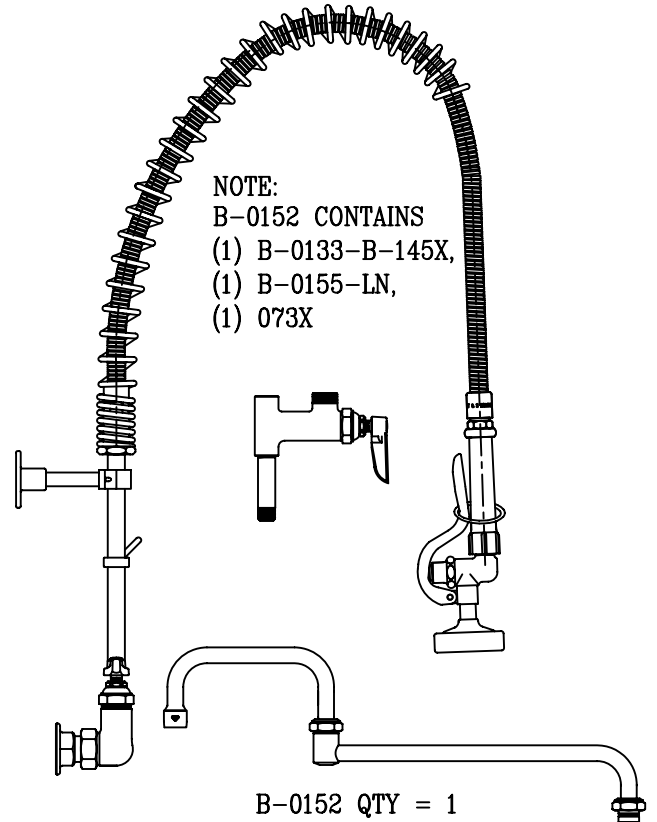
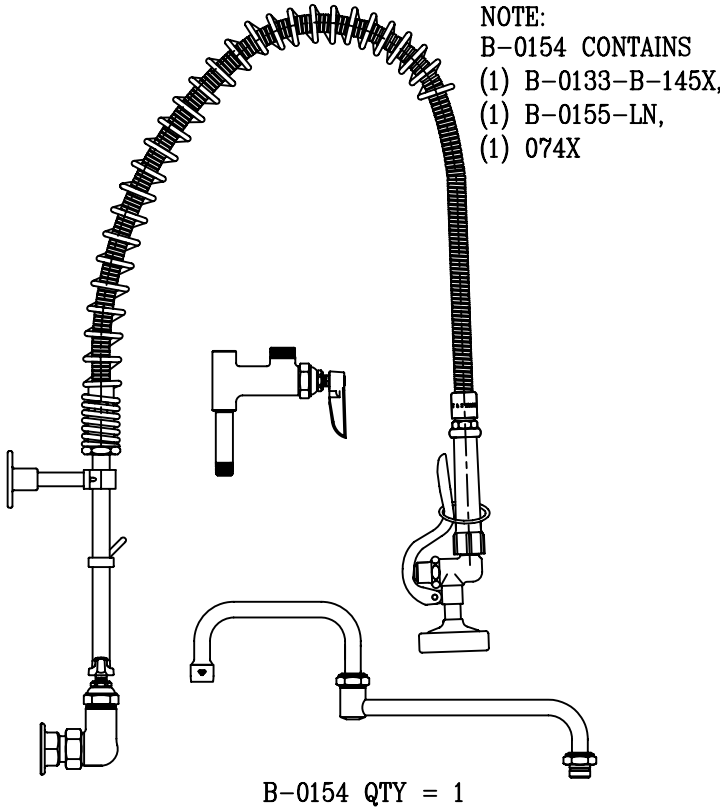
B-2495-3CPS-REM

**RELIABILITY
 BUILT IN**

Job Name:

Architect/Engineer Approval:

Notes:



Product Description:
 RESTAURANT REMODEL PACKAGE
 (1) B-0152, (1) B-0154, (1) B-0328, (2) B-1146-CFA

Drawn: DHL	Checked JRM	Scale: NTS
Approved JHB		Date: 06/08/07