

T&S BRASS AND BRONZE WORKS, INC.

2 SADDLEBACK COVE / P.O. BOX 1088 / TRAVELERS REST, SC 29690

PHONE 800-476-4103

FAX 864-834-3518



REG.#A2601
ISO #9001

Model No.

B-7122-CO1

Item No.:

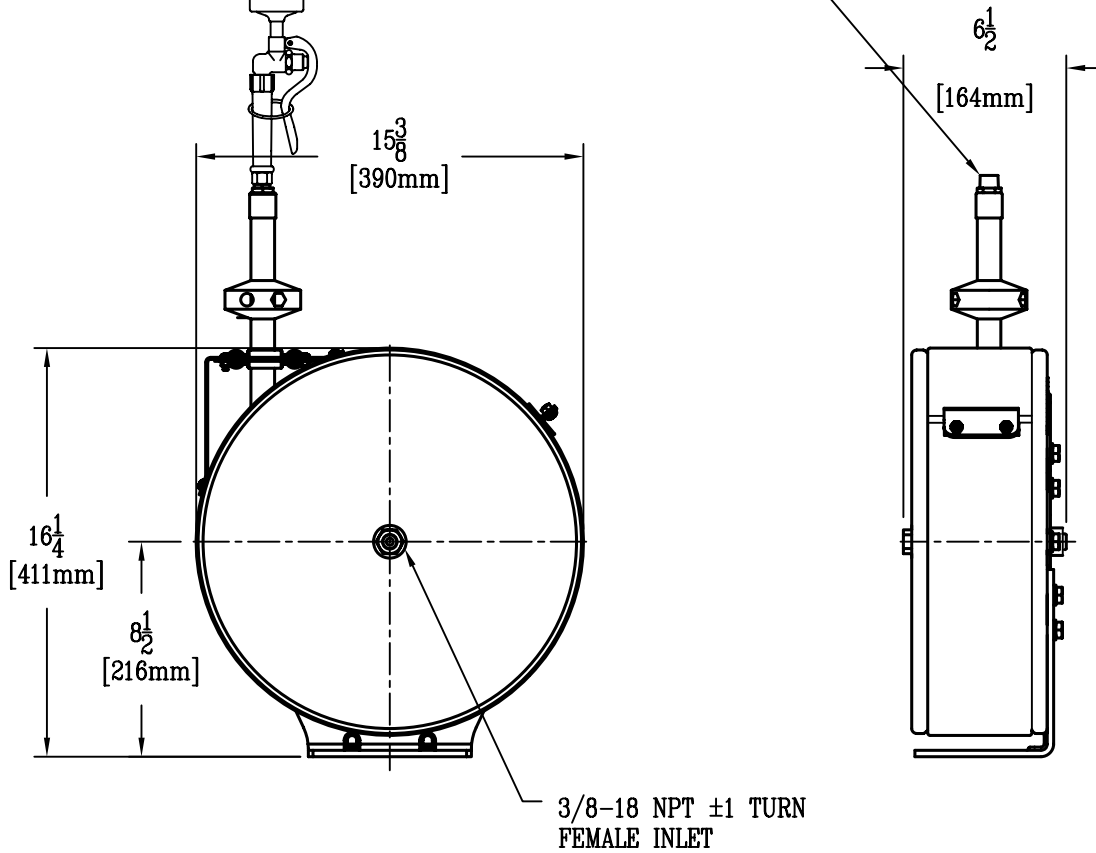
Job Name:

Architect/Engineer Approval:

Notes:

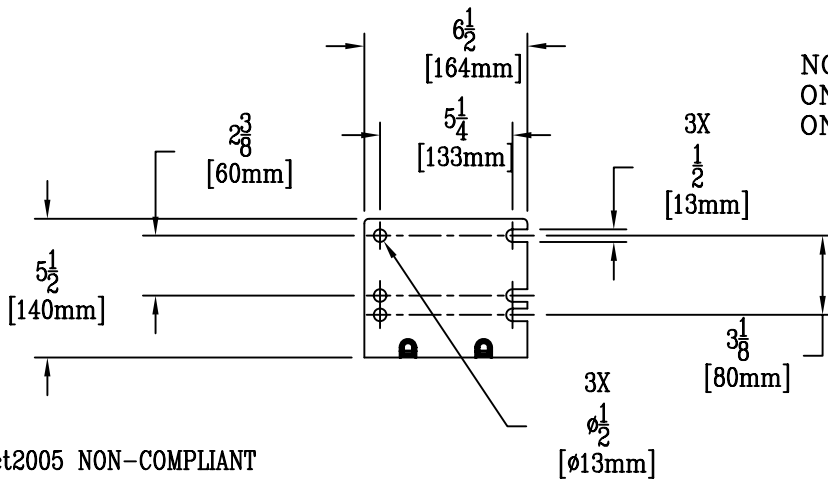
EB-0107 SPRAY VALVE

3/8-18 NPT ±1 TURN
MALE THREADED OUTLET



3/8-18 NPT ±1 TURN
FEMALE INLET

NOTE:
ONCE MOUNTED, INLET
ON LEFT-HAND SIDE



EPAAct2005 NON-COMPLIANT

Product Description:
HOSEREEL, CLOSED, STAINLESS STEEL
30 FT OF 3/8 DIA. BLUE HOSE AND
EB-0107 SPRAY VALVE

Drawn:

DHL

Checked

WJS

Scale:

1:8

Approved

JHB

Date:

8/18/06