



**T&S BRASS AND BRONZE WORKS, INC.**  
 2 SADDLEBACK COVE / P.O. BOX 1088 / TRAVELERS REST, SC 29690  
 PHONE 800-476-4103 FAX 864-834-3518



Model No.

B-7132-05

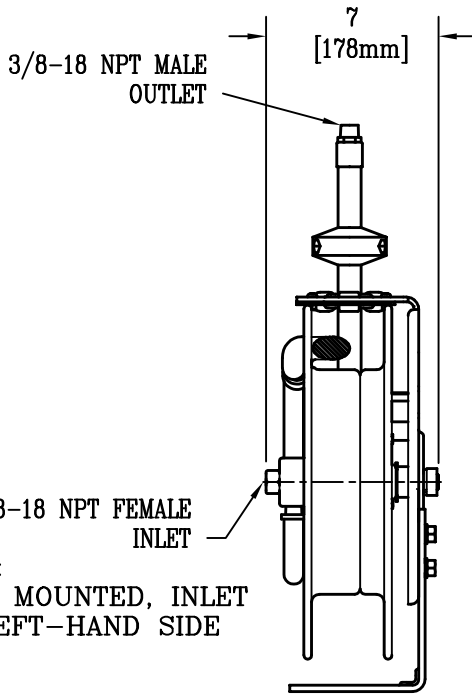
Item No.:

Job Name:

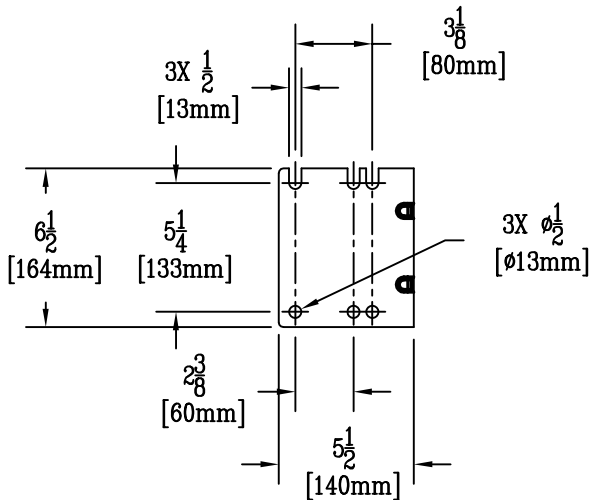
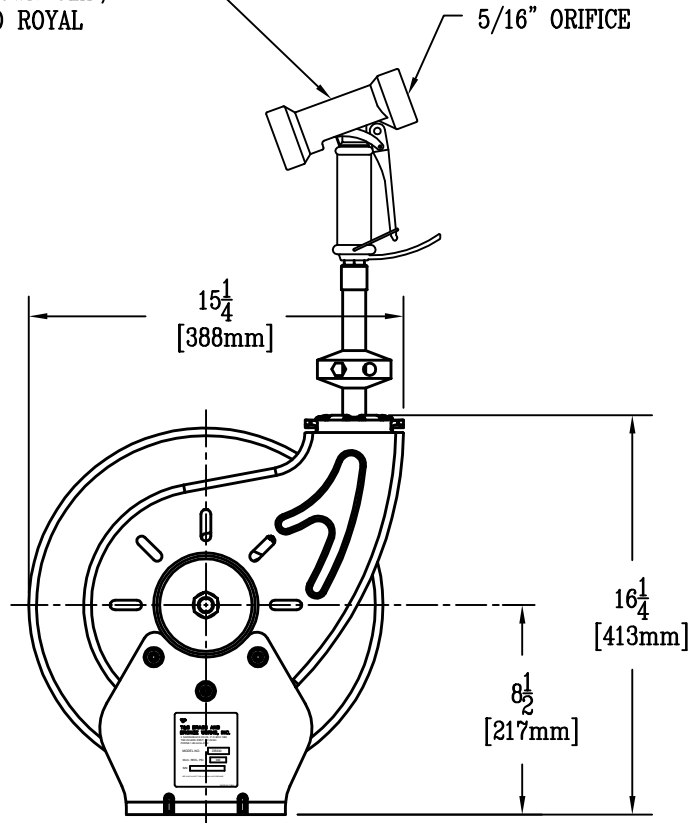
Architect/Engineer Approval:

Notes:

MV-2522-24 FRONT TRIGGER STYLE GUN  
 WITH RETRACTABLE HOLD DOWN CLIP,  
 STAINLESS STEEL BODY AND ROYAL  
 BLUE RUBBER COVER



NOTE:  
 ONCE MOUNTED, INLET  
 ON LEFT-HAND SIDE



Product Description:

HOSEREEL, OPEN, STAINLESS STEEL  
 35 FT OF 3/8 DIA. BLUE HOSE AND  
 MV-2522-24 FRONT TRIGGER, 5/16" SPRAY GUN

Drawn:

JRM

Checked:

JHB

Scale:

1 : 8

Approved:

JHB

Date:

6/9/05