



T&S BRASS AND BRONZE WORKS, INC.
 2 SADDLEBACK COVE / P.O. BOX 1088 / TRAVELERS REST, SC 29690
 PHONE 800-476-4103 FAX 864- 834-3518



Model No.
 B-7142-08H
 Item No.:

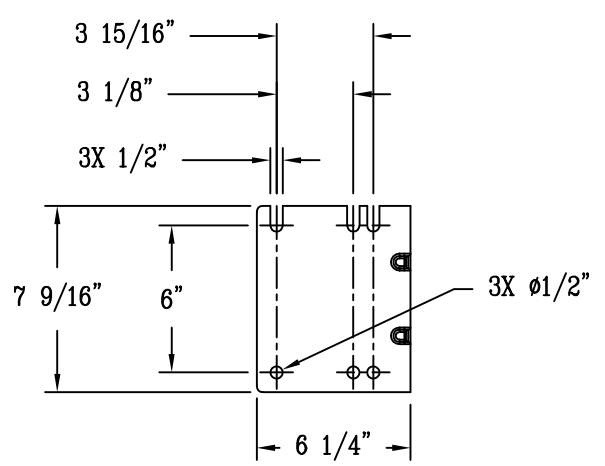
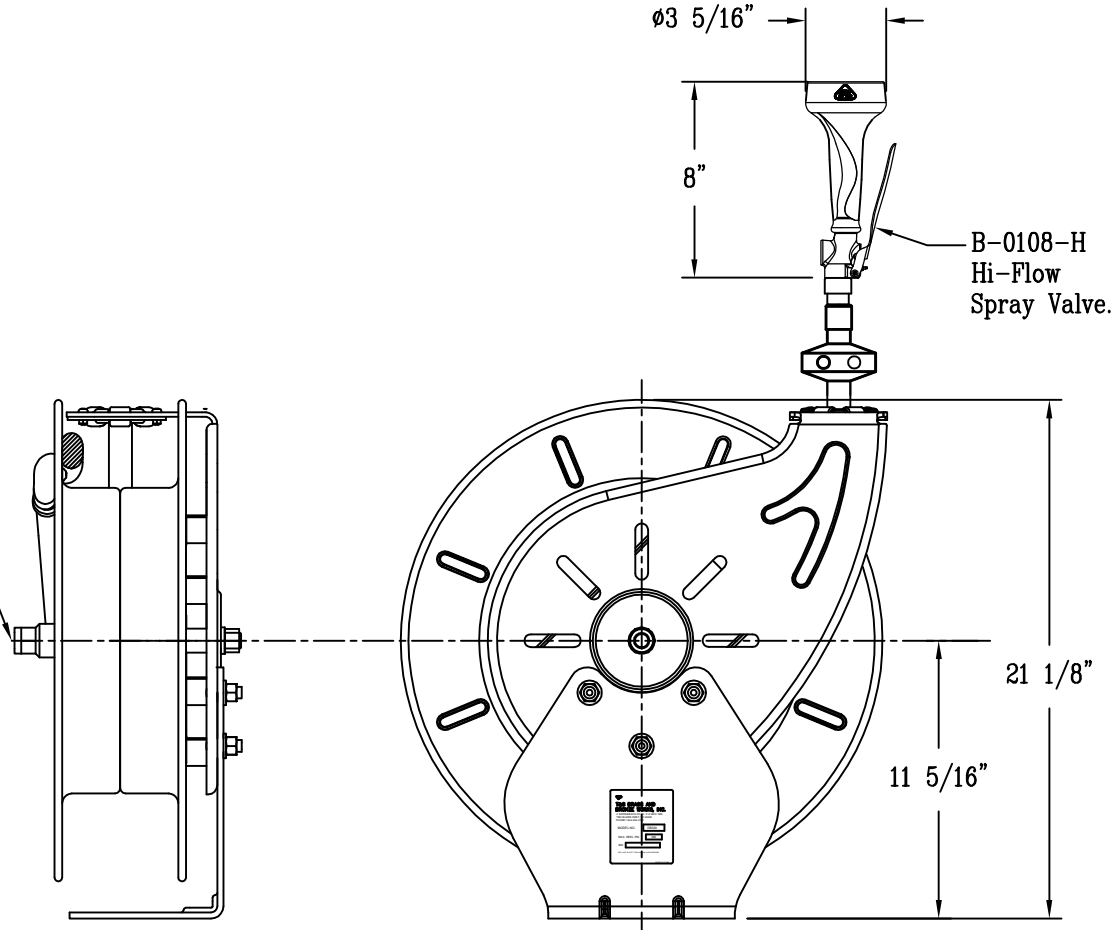
Job Name:

Architect/Engineer Approval:

Notes:

NOTE:
 ONCE
 MOUNTED,
 INLET ON
 LEFT-HAND
 SIDE

3/8" NPT
 Female Inlet



Product Description: Hose Reel, Open, Stainless Steel, 50 Ft. of 3/8" Dia Blue Hose and B-0108-H Hi-Flow Spray Valve	Drawn:	Checked:	Scale:
	WJS	JRM	1:8
	Approved:	Date:	
JHB	5/18/06		